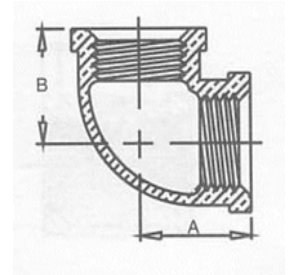


# DIMENSIONAL SPECIFICATIONS

LEADED DOMESTIC BRASS FITTINGS\*\* 125 LB.

## 90 DEGREE ELBOW

Part #	Size (IN.)	Approx. Net WT. (LB.)	A	B
101-02	1/8	0.06	0.54	0.54
101-04	1/4	0.08	0.71	0.71
101-06	3/8	0.16	0.82	0.82
101-08	1/2	0.24	1.01	1.01
101-12	3/4	0.38	1.18	1.18
101-16	1	0.60	1.43	1.43
101-20	1-1/4	0.95	1.69	1.69
101-24	1-1/2	1.03	1.84	1.84
101-32	2	1.95	2.12	2.12
101-40	2-1/2	3.45	2.70	2.70
101-48	3	3.90	3.08	3.08
101-64	4	10.23	3.79	3.79
101-80	5	18.90	4.50	4.50
101-96	6	23.55	5.13	5.13



\*\*⚠️WARNING: This product can expose you to Lead, which is known to the State of California to cause cancer and birth defects or other reproductive harm. For more information go to [www.P65Warnings.ca.gov](http://www.P65Warnings.ca.gov). Leaded product is not for use in potable water.

**MERIT  
BRASS**

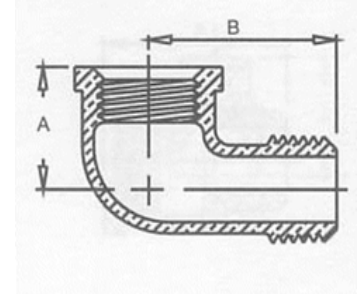
DIRECTING THE FLOW OF *Quality*

# DIMENSIONAL SPECIFICATIONS

LEADED DOMESTIC BRASS FITTINGS\*\* 125 LB.

## 90 DEGREE STREET ELBOW

Part #	Size (IN.)	Approx. Net WT. (LB.)	A	B
103-02	1/8	0.06	0.55	0.92
103-04	1/4	0.11	0.72	1.11
103-06	3/8	0.17	0.83	1.24
103-08	1/2	0.23	1.03	1.51
103-12	3/4	0.35	1.19	1.66
103-16	1	0.50	1.43	1.98
103-20	1-1/4	0.85	1.71	2.26
103-24	1-1/2	1.15	1.87	2.46
103-32	2	1.98	2.14	2.98
103-40	2-1/2	3.15	2.74	3.92
103-48	3	5.00	3.10	4.45



\*\*⚠️WARNING: This product can expose you to Lead, which is known to the State of California to cause cancer and birth defects or other reproductive harm. For more information go to [www.P65Warnings.ca.gov](http://www.P65Warnings.ca.gov). Leaded product is not for use in potable water.

**MERIT  
BRASS**

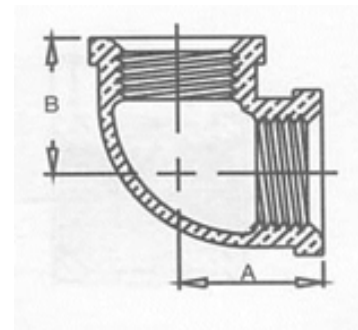
DIRECTING THE FLOW OF *Quality*

# DIMENSIONAL SPECIFICATIONS

LEADED DOMESTIC BRASS FITTINGS\*\* 125 LB.

## 90 DEGREE REDUCING ELBOW

Part #	Size (IN.)	Approx. Net WT. (LB.)	A	B
101-0402	1/4 X 1/8	0.10	0.65	0.60
101-0602	3/8 X 1/8	0.14	0.67	1.00
101-0604	3/8 X 1/4	0.17	0.75	0.75
101-0804	1/2 X 1/4	0.20	1.78	1.69
101-0806	1/2 X 3/8	0.19	0.93	0.90
101-1204	3/4 X 1/4	0.30	1.00	1.00
101-1206	3/4 X 3/8	0.25	0.97	0.97
101-1208	3/4 X 1/2	0.45	1.08	1.11
101-1608	1 X 1/2	0.45	1.20	1.24
101-1612	1 X 3/4	0.50	1.30	1.31
101-2008	1-1/4 X 1/2	0.70	1.25	1.38
101-2016	1-1/4 X 1	0.85	1.52	1.60
101-2416	1-1/2 X 1	0.95	1.55	1.72
101-2420	1-1/2 X 1-1/4	0.95	1.72	1.81
101-3208	2 X 1/2	1.25	1.17	2.92
101-3216	2 X 1	1.60	1.56	1.94
101-3220	2 X 1-1/4	1.40	1.75	2.06
101-3224	2 X 1-1/2	1.60	1.89	2.07
101-4024	2-1/2 X 1-1/2	2.75	2.19	2.50
101-4032	2-1/2 X 2	3.00	2.39	2.60
101-4832	3 X 2	3.80	2.50	2.88
101-4840	3 X 2-1/2	4.35	2.83	2.99



\*\*⚠️WARNING: This product can expose you to Lead, which is known to the State of California to cause cancer and birth defects or other reproductive harm. For more information go to [www.P65Warnings.ca.gov](http://www.P65Warnings.ca.gov). Leaded product is not for use in potable water.

**MERIT  
BRASS**

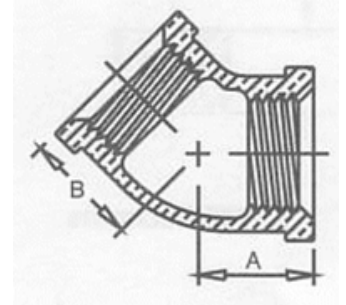
DIRECTING THE FLOW OF *Quality*

# DIMENSIONAL SPECIFICATIONS

LEADED DOMESTIC BRASS FITTINGS\*\* 125 LB.

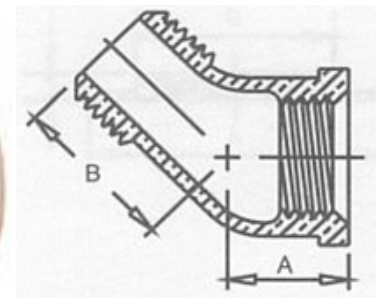
## 45 DEGREE ELBOW

Part #	Size (IN.)	Approx. Net WT. (LB.)	A	B
102-02	1/8	0.05	0.43	0.43
102-04	1/4	0.09	0.55	0.55
102-06	3/8	0.14	0.63	0.63
102-08	1/2	0.19	0.79	0.79
102-12	3/4	0.30	0.91	0.91
102-16	1	0.50	1.07	1.07
102-20	1-1/4	0.75	1.23	1.23
102-24	1-1/2	0.95	1.31	1.31
102-32	2	1.70	1.47	1.47
102-40	2-1/2	2.75	1.89	1.89
102-48	3	4.15	2.18	2.18



## 45 DEGREE STREET ELBOW

Part #	Size (IN.)	Approx. Net WT. (LB.)	A	B
103A-04	1/4	0.07	0.56	0.88
103A-06	3/8	0.12	0.63	0.92
103A-08	1/2	0.24	0.78	1.06
103A-12	3/4	0.30	0.89	1.23
103A-16	1	0.45	1.06	1.40
103A-20	1-1/4	0.65	1.22	1.64
103A-24	1-1/2	0.95	1.30	1.80
103A-32	2	1.40	1.45	2.14



\*\*⚠️WARNING: This product can expose you to Lead, which is known to the State of California to cause cancer and birth defects or other reproductive harm. For more information go to [www.P65Warnings.ca.gov](http://www.P65Warnings.ca.gov). Leaded product is not for use in potable water.

**MERIT  
BRASS**

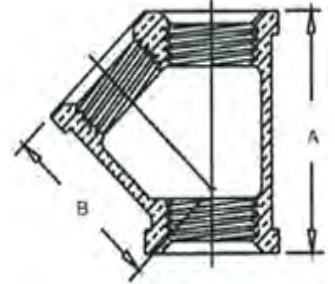
DIRECTING THE FLOW OF *Quality*

# DIMENSIONAL SPECIFICATIONS

LEADED DOMESTIC BRASS FITTINGS\*\* 125 LB.

## 45 DEGREE Y-BRANCH

Part #	Size (IN.)	Approx. Net WT. (LB.)	A	B
122-06	3/8	0.25	1.78	1.28
122-08	1/2	0.30	2.19	1.58
122-12	3/4	0.65	2.62	1.90
122-16	1	1.05	3.18	2.33
122-20	1-1/4	1.65	3.85	2.83
122-24	1-1/2	1.95	4.24	3.14
122-32	2	3.15	5.00	3.76
122-40	2-1/2	6.85	6.25	4.75
122-48	3	10.40	7.25	5.56
122-64	4	20.30	8.94	6.94



\*\*⚠️WARNING: This product can expose you to Lead, which is known to the State of California to cause cancer and birth defects or other reproductive harm. For more information go to [www.P65Warnings.ca.gov](http://www.P65Warnings.ca.gov). Leaded product is not for use in potable water.

**MERIT  
BRASS**

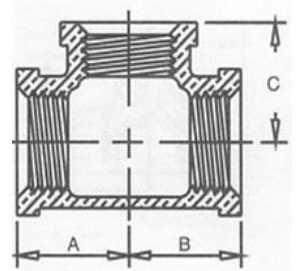
DIRECTING THE FLOW OF *Quality*

# DIMENSIONAL SPECIFICATIONS

LEADED DOMESTIC BRASS FITTINGS\*\* 125 LB.

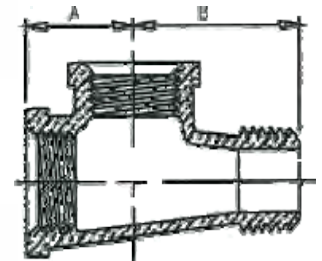
## TEE

Part #	Size (IN.)	Approx. Net WT. (LB.)	A	B	C
106-02	1/8	0.07	0.54	0.54	0.54
106-04	1/4	0.14	0.71	0.71	0.71
106-06	3/8	0.21	0.82	0.82	0.82
106-08	1/2	0.30	1.01	1.01	1.01
106-12	3/4	0.50	1.18	1.18	1.18
106-16	1	0.80	1.43	1.43	1.43
106-20	1-1/4	1.47	1.69	1.69	1.69
106-24	1-1/2	1.50	1.84	1.84	1.84
106-32	2	2.25	2.12	2.12	2.12
106-40	2-1/2	4.65	2.70	2.70	2.70
106-48	3	6.70	3.08	3.08	3.08
106-64	4	11.30	3.79	3.79	3.79
106-96	6	33.45	5.13	5.13	5.13



## STREET TEE

Part #	Size (IN.)	Approx. Net WT. (LB.)	A	B
106A-06	3/8	0.27	1.78	1.28
106A-08	1/2	0.40	2.19	1.59
106A-12	3/4	0.45	2.63	1.91
106A-16	1	1.00	1.19	2.34
106A-20	1-1/4	1.25	3.88	2.84
106A-24	1-1/2	2.00	1.84	2.47
106A-32	2	3.20	2.13	2.88



\*\*⚠️WARNING: This product can expose you to Lead, which is known to the State of California to cause cancer and birth defects or other reproductive harm. For more information go to [www.P65Warnings.ca.gov](http://www.P65Warnings.ca.gov). Leaded product is not for use in potable water.

**MERIT  
BRASS**

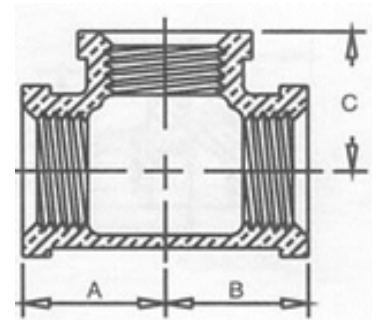
DIRECTING THE FLOW OF *Quality*

# DIMENSIONAL SPECIFICATIONS

LEADED DOMESTIC BRASS FITTINGS\*\* 125 LB.

## REDUCING TEE

Part #	Size (IN.)	Approx. Net WT. (LB.)	A	B	C
106-040402	1/4 X 1/4 X 1/8	0.12	0.65	0.65	0.60
106-040406	1/4 X 1/4 X 3/8	0.16	0.78	0.72	0.75
106-060406	3/8 X 1/4 X 3/8	0.19	0.82	0.78	0.82
106-060604	3/8 X 3/8 X 1/4	0.18	0.75	0.75	0.78
106-060608	3/8 X 3/8 X 1/2	0.25	0.90	0.90	0.93
106-080408	1/2 X 1/4 X 1/2	0.25	0.93	0.87	0.93
106-080606	1/2 X 3/8 X 3/8	0.25	0.93	0.82	0.90
106-080608	1/2 X 3/8 X 1/2	0.30	1.01	0.90	1.01
106-080806	1/2 X 1/2 X 3/8	0.25	0.93	0.93	0.90
106-080812	1/2 X 1/2 X 3/4	0.40	1.11	1.11	1.08
106-080816	1/2 X 1/2 X 1	0.55	1.31	1.31	1.25
106-120606	3/4 X 3/8 X 3/8	0.35	1.00	1.00	1.00
106-120608	3/4 X 3/8 X 1/2	0.35	1.19	1.00	1.22
106-120808	3/4 X 1/2 X 1/2	0.35	1.08	1.01	1.11
106-120812	3/4 X 1/2 X 3/4	0.40	1.18	1.11	1.18
106-121204	3/4 X 3/4 X 1/4	0.35	1.00	1.00	1.00
106-121206	3/4 X 3/4 X 3/8	0.40	1.00	1.00	1.00
106-121208	3/4 X 3/4 X 1/2	0.40	1.08	1.08	1.11
106-121216	3/4 X 3/4 X 1	0.60	1.31	1.31	1.30
106-160816	1 X 1/2 X 1	0.60	1.43	1.24	1.43
106-161208	1 X 3/4 X 1/2	0.45	1.20	1.08	1.24
106-161212	1 X 3/4 X 3/4	0.55	1.30	1.08	1.31
106-161216	1 X 3/4 X 1	0.65	1.43	1.31	1.43
106-161606	1 X 1 X 3/8	0.55	1.12	1.12	1.13
106-161608	1 X 1 X 1/2	0.60	1.20	1.20	1.24



\*\*⚠️WARNING: This product can expose you to Lead, which is known to the State of California to cause cancer and birth defects or other reproductive harm. For more information go to [www.P65Warnings.ca.gov](http://www.P65Warnings.ca.gov). Leaded product is not for use in potable water.

**MERIT  
BRASS**

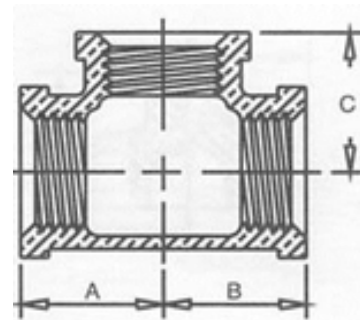
DIRECTING THE FLOW OF *Quality*

# DIMENSIONAL SPECIFICATIONS

LEADED DOMESTIC BRASS FITTINGS\*\* 125 LB.

## REDUCING TEE CONTINUED

Part #	Size (IN.)	Approx. Net WT. (LB.)	A	B	C
106-161612	1 X 1 X 3/4	0.70	1.30	1.30	1.31
106-161620	1 X 1 X 1-1/4	0.95	1.60	1.60	1.52
106-161624	1 X 1 X 1-1/2	1.10	1.72	1.72	1.55
106-200820	1-1/4 X 1/2 X 1-1/4	0.85	1.69	1.40	1.69
106-201212	1-1/4 X 3/4 X 3/4	0.70	1.38	1.13	1.50
106-201220	1-1/4 X 3/4 X 1-1/4	1.00	1.69	1.48	1.69
106-201608	1-1/4 X 1 X 1/2	0.80	1.38	1.31	1.50
106-201612	1-1/4 X 1 X 3/4	0.80	1.39	1.30	1.48
106-201616	1-1/4 X 1 X 1	0.90	1.52	1.43	1.60
106-201620	1-1/4 X 1 X 1-1/4	1.10	1.69	1.60	1.69
106-202008	1-1/4 X 1-1/4 X 1/2	0.85	1.29	1.29	1.41
106-202012	1-1/4 X 1-1/4 X 3/4	0.85	1.39	1.39	1.48
106-202016	1-1/4 X 1-1/4 X 1	1.05	1.52	1.52	1.60
106-202024	1-1/4 X 1-1/4 X 1-1/2	1.30	1.81	1.81	1.72
106-240824	1-1/2 X 1/2 X 1-1/2	1.36	1.81	1.56	1.81
106-241224	1-1/2 X 3/4 X 1-1/2	1.35	1.84	1.60	1.84
106-241616	1-1/2 X 1 X 1	1.10	1.63	1.50	1.81
106-241620	1-1/2 X 1 X 1-1/4	1.55	1.81	1.69	1.88
106-241624	1-1/2 X 1 X 1-1/2	1.45	1.88	1.81	1.88
106-242020	1-1/2 X 1-1/4 X 1-1/4	1.45	1.72	1.69	1.81
106-242024	1-1/2 X 1-1/4 X 1-1/2	1.50	1.84	1.81	1.84
106-242408	1-1/2 X 1-1/2 X 1/2	1.05	1.32	1.32	1.53
106-242412	1-1/2 X 1-1/2 X 3/4	1.10	1.42	1.42	1.60
106-242416	1-1/2 X 1-1/2 X 1	1.30	1.55	1.55	1.72
106-242420	1-1/2 X 1-1/2 X 1-1/4	1.45	1.72	1.72	1.81
106-242432	1-1/2 X 1-1/2 X 2	1.90	2.07	2.07	1.89



\*\*⚠️WARNING: This product can expose you to Lead, which is known to the State of California to cause cancer and birth defects or other reproductive harm. For more information go to [www.P65Warnings.ca.gov](http://www.P65Warnings.ca.gov). Leaded product is not for use in potable water.

**MERIT  
BRASS**

DIRECTING THE FLOW OF *Quality*

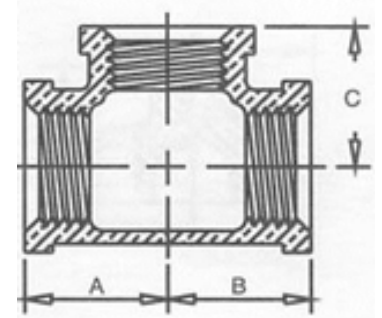


# DIMENSIONAL SPECIFICATIONS

LEADED DOMESTIC BRASS FITTINGS\*\* 125 LB.

## REDUCING TEE CONTINUED

Part #	Size (IN.)	Approx. Net WT. (LB.)	A	B	C
106-321232	2 X 3/4 X 2	2.45	2.13	1.84	2.13
106-321632	2 X 1 X 2	2.25	2.13	2.06	2.13
106-322416	2 X 1-1/2 X 1	1.95	1.78	1.72	2.03
106-322420	2 X 1-1/2 X 1-1/4	2.20	1.78	1.72	2.03
106-322424	2 X 1-1/2 X 1-1/2	2.00	1.89	1.84	2.07
106-322432	2 X 1-1/2 X 2	2.35	2.12	2.07	2.12
106-323208	2 X 2 X 1/2	1.70	1.50	1.50	1.88
106-323212	2 X 2 X 3/4	1.65	1.47	1.47	1.84
106-323216	2 X 2 X 1	1.75	1.59	1.59	1.95
106-323220	2 X 2 X 1-1/4	1.95	1.77	1.77	2.04
106-323224	2 X 2 X 1-1/2	2.10	1.89	1.89	2.07
106-323240	2 X 2 X 2-1/2	3.75	2.60	2.60	2.39
106-402440	2-1/2 X 1-1/2 X 2-1/2	4.25	2.06	2.50	2.69
106-403232	2-1/2 X 2 X 2	3.80	2.39	2.25	2.60
106-403240	2-1/2 X 2 X 2-1/2	4.45	2.69	2.63	2.69
106-404016	2-1/2 X 2-1/2 X 1	2.85	1.88	1.88	2.38
106-404020	2-1/2 X 2-1/2 X 1-1/4	3.70	2.06	2.06	2.44
106-404024	2-1/2 X 2-1/2 X 1-1/2	4.00	2.16	2.16	2.50
106-404032	2-1/2 X 2-1/2 X 2	4.40	2.39	2.39	2.60
106-483232	3 X 2 X 2	4.85	2.50	2.25	2.88
106-483248	3 X 2 X 3	5.95	3.06	2.88	3.06
106-484040	3 X 2-1/2 X 2-1/2	6.00	2.81	2.69	3.00
106-484816	3 X 3 X 1	4.75	2.00	2.00	2.66
106-484832	3 X 3 X 2	5.55	2.52	2.52	2.89
106-484840	3 X 3 X 2-1/2	6.60	2.83	2.83	2.99
106-646432	4 X 4 X 2	9.25	2.75	2.75	3.41



\*\*⚠️WARNING: This product can expose you to Lead, which is known to the State of California to cause cancer and birth defects or other reproductive harm. For more information go to [www.P65Warnings.ca.gov](http://www.P65Warnings.ca.gov). Leaded product is not for use in potable water.

# MERIT BRASS

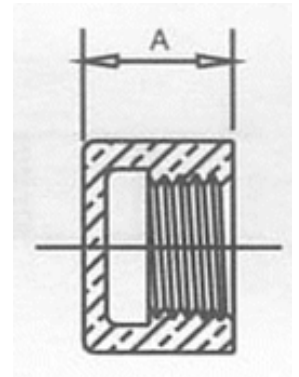
DIRECTING THE FLOW OF *Quality*

# DIMENSIONAL SPECIFICATIONS

LEADED DOMESTIC BRASS FITTINGS\*\* 125 LB.

## CAP

Part #	Size (IN.)	Approx. Net WT. (LB.)	A
116-02	1/8	0.04	0.49
116-04	1/4	0.07	0.59
116-06	3/8	0.10	0.66
116-08	1/2	0.12	0.78
116-12	3/4	0.21	0.84
116-16	1	0.30	1.00
116-20	1-1/4	0.45	1.13
116-24	1-1/2	0.65	1.16
116-32	2	1.10	1.34
116-40	2-1/2	1.95	1.72
116-48	3	3.04	1.81
116-56	3-1/2	4.00	1.91
116-64	4	5.55	2.09



\*\* **WARNING:** This product can expose you to Lead, which is known to the State of California to cause cancer and birth defects or other reproductive harm. For more information go to [www.P65Warnings.ca.gov](http://www.P65Warnings.ca.gov). Leaded product is not for use in potable water.

**MERIT  
BRASS**

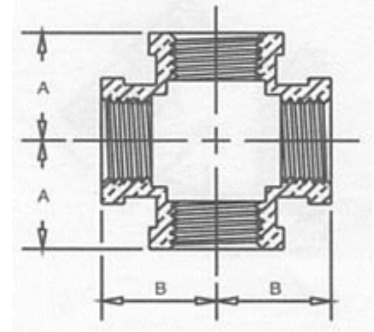
DIRECTING THE FLOW OF *Quality*

# DIMENSIONAL SPECIFICATIONS

LEADED DOMESTIC BRASS FITTINGS\*\* 125 LB.

## CROSS

Part #	Size (IN.)	Approx. Net WT. (LB.)	A	B
110-02	1/8	0.10	0.54	0.54
110-04	1/4	0.21	0.71	0.71
110-06	3/8	0.25	0.82	0.82
110-08	1/2	0.35	1.01	1.01
110-12	3/4	0.55	1.18	1.18
110-16	1	0.95	1.43	1.43
110-20	1-1/4	1.40	1.69	1.69
110-24	1-1/2	1.95	1.84	1.84
110-32	2	1.90	2.12	2.12
110-48	3	7.75	3.08	3.08
110-64	4	14.85	3.79	3.79



\*\*▲WARNING: This product can expose you to Lead, which is known to the State of California to cause cancer and birth defects or other reproductive harm. For more information go to [www.P65Warnings.ca.gov](http://www.P65Warnings.ca.gov). Leaded product is not for use in potable water.

**MERIT  
BRASS**

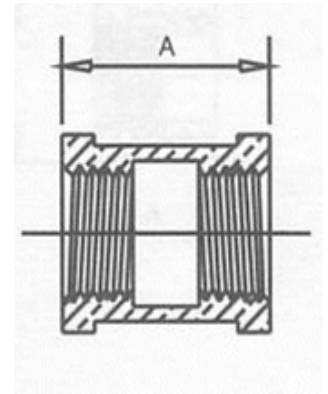
DIRECTING THE FLOW OF *Quality*

# DIMENSIONAL SPECIFICATIONS

LEADED DOMESTIC BRASS FITTINGS\*\* 125 LB.

## COUPLING

Part #	Size (IN.)	Approx. Net WT. (LB.)	A
111-02	1/8	0.06	0.80
111-04	1/4	0.08	0.80
111-06	3/8	0.12	1.05
111-08	1/2	0.25	1.29
111-12	3/4	0.30	1.43
111-16	1	0.45	1.68
111-20	1-1/4	0.65	1.86
111-24	1-1/2	0.90	1.92
111-32	2	1.35	2.20
111-40	2-1/2	2.30	2.88
111-48	3	3.20	3.18
111-56	3-1/2	5.20	3.38
111-64	4	7.03	3.69
111-80	5	11.65	4.19
111-96	6	15.25	4.75



\*\*▲WARNING: This product can expose you to Lead, which is known to the State of California to cause cancer and birth defects or other reproductive harm. For more information go to [www.P65Warnings.ca.gov](http://www.P65Warnings.ca.gov). Leaded product is not for use in potable water.

**MERIT  
BRASS**

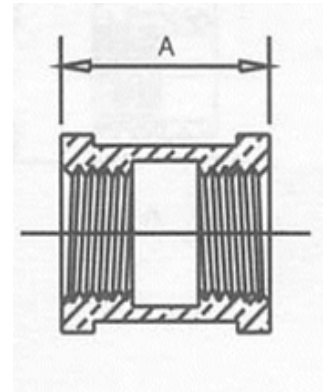
DIRECTING THE FLOW OF *Quality*

# DIMENSIONAL SPECIFICATIONS

LEADED DOMESTIC BRASS FITTINGS\*\* 125 LB.

## REDUCING COUPLING

Part #	Size (IN.)	Approx. Net WT. (LB.)	A
112-0604	3/8 X 1/4	0.10	0.92
112-0806	1/2 X 3/8	0.16	1.17
112-1206	3/4 X 3/8	0.25	1.35
112-1208	3/4 X 1/2	0.25	1.35
112-1612	1 X 3/4	0.35	1.56
112-2012	1-1/4 X 3/4	0.50	1.77
112-2408	1-1/2 X 1/2	0.60	1.80
112-2412	1-1/2 X 3/4	0.65	1.80
112-2416	1-1/2 X 1	0.60	1.80
112-2420	1-1/2 X 1-1/4	0.75	1.80
112-3216	2 X 1	1.00	2.03
112-3220	2 X 1-1/4	1.05	2.03
112-4024	2-1/2 X 1-1/2	2.25	3.25
112-4032	2-1/2 X 2	1.65	3.25
112-4832	3 X 2	2.70	3.69
112-4840	3 X 2-1/2	2.95	3.69
112-6432	4 X 2	6.15	4.38
112-6448	4 X 3	5.95	4.38
112-9664	6 X 4	16.25	4.75



\*\*▲WARNING: This product can expose you to Lead, which is known to the State of California to cause cancer and birth defects or other reproductive harm. For more information go to [www.P65Warnings.ca.gov](http://www.P65Warnings.ca.gov). Leaded product is not for use in potable water.

**MERIT  
BRASS**

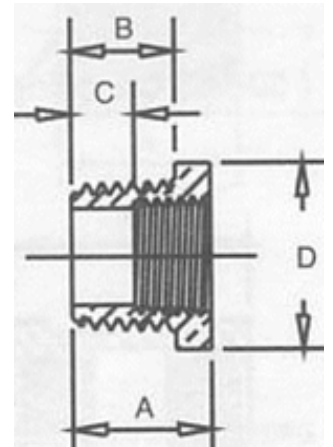
DIRECTING THE FLOW OF *Quality*

# DIMENSIONAL SPECIFICATIONS

## LEADED DOMESTIC BRASS FITTINGS\*\* 125 LB.

### HEX BUSHING

Part #	Size (IN.)	Approx. Net WT. (LB.)	A	B	C	D
114-0802	1/2 X 1/8	0.08	0.75	0.56	0.50	0.88
114-0804	1/2 X 1/4	0.10	0.75	0.56	0.43	0.88
114-0806	1/2 X 3/8	0.06	0.75	0.56	0.34	0.88
114-1202	3/4 X 1/8	0.15	0.88	0.63	0.25	1.16
114-1204	3/4 X 1/4	0.15	0.85	0.63	0.53	1.16
114-1206	3/4 X 3/8	0.14	0.85	0.63	0.49	1.16
114-1208	3/4 X 1/2	0.11	0.85	0.63	0.32	1.16
114-1602	1 X 1/8	0.25	1.06	0.75	0.75	1.44
114-1604	1 X 1/4	0.25	1.05	0.75	0.73	1.44
114-1606	1 X 3/8	0.25	1.05	0.75	0.69	1.13
114-1608	1 X 1/2	0.25	1.00	0.75	0.57	1.13
114-1612	1 X 3/4	0.19	1.00	0.75	0.50	1.13
114-2006	1-1/4 X 3/8	0.40	1.16	0.81	0.78	1.13
114-2008	1-1/4 X 1/2	0.40	1.14	0.80	0.71	1.34
114-2016	1-1/4 X 1	0.30	1.08	0.80	0.47	1.78
114-2406	1-1/2 X 3/8	0.50	1.14	0.81	0.57	1.78



NOTE: Bushings reducing to pipe sizes smaller than given are bushed from the smallest reduction appearing in the table.

\*\* WARNING: This product can expose you to Lead, which is known to the State of California to cause cancer and birth defects or other reproductive harm. For more information go to [www.P65Warnings.ca.gov](http://www.P65Warnings.ca.gov). Leaded product is not for use in potable water.

# MERIT BRASS

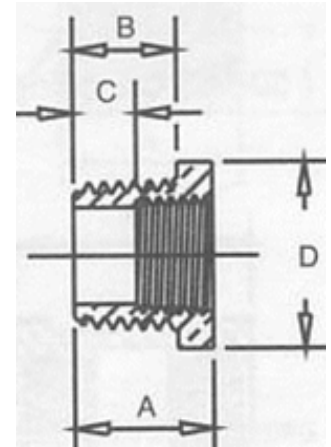
DIRECTING THE FLOW OF *Quality*

# DIMENSIONAL SPECIFICATIONS

## LEADED DOMESTIC BRASS FITTINGS\*\* 125 LB.

### HEX BUSHING CONTINUED

Part #	Size (IN.)	Approx. Net WT. (LB.)	A	B	C	D
114-2412	1-1/2 X 3/4	0.50	1.20	0.83	0.70	1.63
114-2416	1-1/2 X 1	0.45	1.14	0.83	0.56	2.00
114-2420	1-1/2 X 1-1/4	0.35	1.14	0.83	0.43	2.00
114-3204	2 X 1/4	1.10	1.25	0.25	0.73	2.38
114-3208	2 X 1/2	1.00	1.31	0.88	0.88	1.34
114-3212	2 X 3/4	0.95	1.31	0.88	0.81	1.63
114-3216	2 X 1	0.77	1.36	0.91	0.78	1.96
114-3220	2 X 1-1/4	0.75	1.22	0.88	0.55	2.50
114-3224	2 X 1-1/2	0.65	1.22	0.88	0.52	2.50
114-4016	2-1/2 X 1	1.45	1.53	1.09	0.94	1.97
114-4020	2-1/2 X 1-1/4	1.10	1.53	1.09	0.84	2.97
114-4032	2-1/2 X 2	1.15	1.44	1.07	0.69	2.41
114-4816	3 X 1	1.95	1.63	1.13	1.03	3.50
114-4820	3 X 1-1/4	1.75	1.63	1.13	0.94	3.50
114-4824	3 X 1-1/2	1.55	1.63	1.13	0.91	3.50
114-4832	3 X 2	1.65	1.61	1.13	0.86	3.50
114-4840	3 X 2-1/2	1.80	1.53	1.13	0.61	3.88



NOTE: Bushings reducing to pipe sizes smaller than given are bushed from the smallest reduction appearing in the table.

\*\*▲WARNING: This product can expose you to Lead, which is known to the State of California to cause cancer and birth defects or other reproductive harm. For more information go to [www.P65Warnings.ca.gov](http://www.P65Warnings.ca.gov). Leaded product is not for use in potable water.

# MERIT BRASS

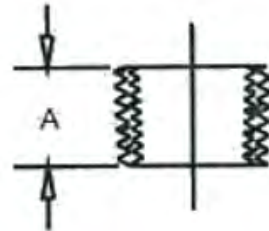
DIRECTING THE FLOW OF *Quality*

# DIMENSIONAL SPECIFICATIONS

## LEADED DOMESTIC BRASS FITTINGS\*\* 125 LB.

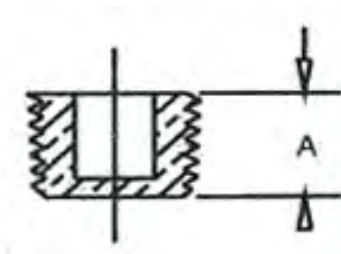
### FACE BUSHING

Part #	Size (IN.)	Approx. Net WT. (LB.)	A
115-1204	3/4 X 1/4	0.11	0.63
115-1608	1 X 1/2	0.17	0.75



### SQUARE COUNTERSUNK PLUG

Part #	Size (IN.)	Approx. Net WT. (LB.)	A
118-06	3/8	0.03	0.41
118-08	1/2	0.06	0.54
118-12	3/4	0.11	0.55
118-16	1	0.23	0.69
118-20	1-1/4	0.30	0.71
118-24	1-1/2	0.45	0.73
118-32	2	0.80	0.76
118-40	2-1/2	1.55	1.07
118-48	3	2.60	1.13
118-64	4	4.35	1.22



\*\*▲WARNING: This product can expose you to Lead, which is known to the State of California to cause cancer and birth defects or other reproductive harm. For more information go to [www.P65Warnings.ca.gov](http://www.P65Warnings.ca.gov). Leaded product is not for use in potable water.

**MERIT  
BRASS**

DIRECTING THE FLOW OF *Quality*

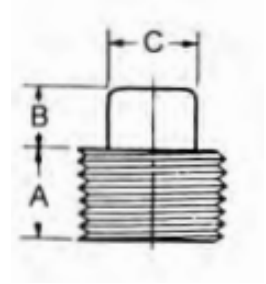


# DIMENSIONAL SPECIFICATIONS

LEADED DOMESTIC BRASS FITTINGS\*\* 125 LB.

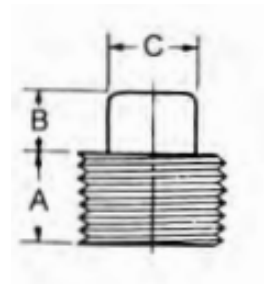
## SQUARE HEAD CORED PLUG

Part #	Size (IN.)	Approx. Net WT. (LB.)	A	B	C
117-08	1/2	0.11	0.54	0.38	0.56
117-12	3/4	0.15	0.55	0.44	0.63
117-16	1	0.26	0.69	0.50	0.81
117-20	1-1/4	0.35	0.71	0.56	0.94
117-24	1-1/2	0.45	0.73	0.62	1.13
117-32	2	0.60	0.76	0.68	1.31
117-40	2-1/2	1.10	1.07	0.74	1.50
117-48	3	1.95	1.13	0.80	1.69
117-64	4	3.30	1.22	0.92	2.25



## SQUARE HEAD SOLID PLUG

Part #	Size (IN.)	Approx. Net WT. (LB.)	A	B	C
117A-06	3/8	0.06	0.41	0.31	0.44
117A-08	1/2	0.12	0.54	0.38	0.56
117A-12	3/4	0.20	0.55	0.44	0.63
117A-16	1	0.25	0.69	0.50	0.81
117A-20	1-1/4	0.50	0.71	0.56	0.94
117A-24	1-1/2	0.75	0.73	0.62	1.13
117A-32	2	1.05	0.76	0.68	1.31
117A-40	2-1/2	2.40	1.07	0.74	1.50
117A-48	3	3.80	1.13	0.80	1.69
117A-64	4	6.85	1.22	0.92	2.25



\*\*▲WARNING: This product can expose you to Lead, which is known to the State of California to cause cancer and birth defects or other reproductive harm. For more information go to [www.P65Warnings.ca.gov](http://www.P65Warnings.ca.gov). Leaded product is not for use in potable water.

**MERIT**  
**BRASS**

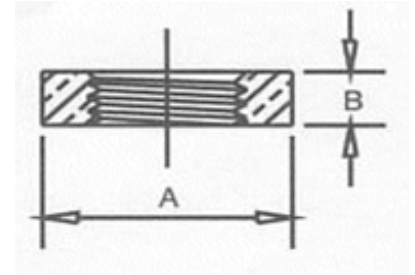
DIRECTING THE FLOW OF *Quality*

# DIMENSIONAL SPECIFICATIONS

LEADED DOMESTIC BRASS FITTINGS\*\* 125 LB.

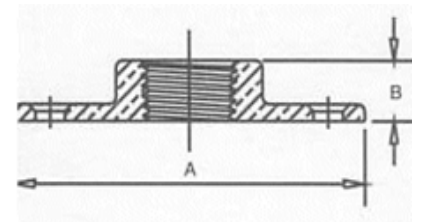
## HEX LOCKNUT

Part #	Size (IN.)	Approx. Net WT. (LB.)	A	B
119-02	1/8	0.02	0.88	0.25
119-04	1/4	0.03	0.88	0.25
119-06	3/8	0.04	1.00	0.28
119-08	1/2	0.07	1.28	0.31
119-12	3/4	0.09	1.50	0.28
119-16	1	0.12	1.75	0.34
119-20	1-1/4	0.30	2.09	0.38
119-24	1-1/2	0.35	2.44	0.41
119-32	2	0.60	2.94	0.47
119-40	2-1/2	1.15	3.50	0.56
119-48	3	1.70	4.25	0.63
119-64	4	3.20	5.38	0.81



## FLOOR FLANGE

Part #	Size (IN.)	Approx. Net WT. (LB.)	A	B
240-02	1/8	0.16	2.31	0.30
240-04	1/4	0.19	2.47	0.38
240-06	3/8	0.23	2.69	0.47
240-08	1/2	0.30	3.52	0.55
240-12	3/4	0.50	3.52	0.62
240-16	1	0.85	4.02	0.70
240-20	1 1/4	1.00	4.02	0.76
240-24	1 1/2	1.25	4.53	0.89
240-32	2	2.10	5.54	1.00



\*\*▲WARNING: This product can expose you to Lead, which is known to the State of California to cause cancer and birth defects or other reproductive harm. For more information go to [www.P65Warnings.ca.gov](http://www.P65Warnings.ca.gov). Leaded product is not for use in potable water.

**MERIT  
BRASS**

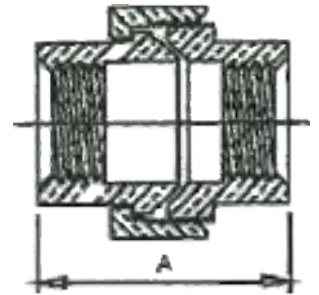
DIRECTING THE FLOW OF *Quality*

# DIMENSIONAL SPECIFICATIONS

LEADED DOMESTIC BRASS FITTINGS\*\* 125 LB.

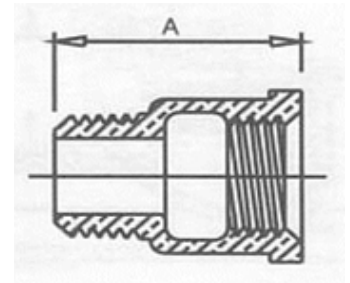
## UNION

Part #	Size (IN.)	Approx. Net WT. (LB.)	A
187-04	1/4	0.20	1.25
187-06	3/8	0.30	1.48
187-08	1/2	0.45	1.56
187-12	3/4	0.62	1.87
187-16	1	0.85	2.11
187-20	1-1/4	1.40	2.34
187-24	1-1/2	1.75	2.65
187-32	2	2.75	2.96



## EXTENSION PIECE

Part #	Size (IN.)	Approx. Net WT. (LB.)	A
232-06	3/8	0.10	1.03
232-08	1/2	0.19	1.47
232-12	3/4	0.26	1.81
232-16	1	0.45	2.19
232-20	1-1/4	0.65	2.06
232-24	1-1/2	0.75	2.09
232-32	2	1.15	2.31



\*\*⚠️WARNING: This product can expose you to Lead, which is known to the State of California to cause cancer and birth defects or other reproductive harm. For more information go to [www.P65Warnings.ca.gov](http://www.P65Warnings.ca.gov). Leaded product is not for use in potable water.

**MERIT  
BRASS**

DIRECTING THE FLOW OF *Quality*