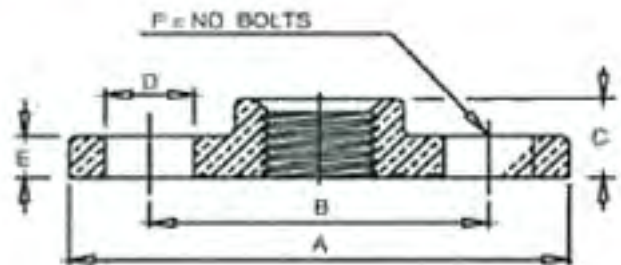


DIMENSIONAL SPECIFICATIONS

LEADED DOMESTIC BRASS FLANGES** 150 LB.

COMPANION FLANGE

Part #	Size (IN.)	Approx. Net WT. (LB.)	A	B	C	D	E	F
235-08	1/2	1.05	3.50	2.38	0.59	0.63	0.31	4
235-12	3/4	1.25	3.88	2.75	0.62	0.63	0.34	4
235-16	1	1.85	4.25	3.12	0.69	0.63	0.38	4
235-20	1-1/4	2.10	4.62	3.50	0.81	0.63	0.41	4
235-24	1-1/2	2.75	5.00	3.88	0.88	0.63	0.44	4
235-32	2	4.10	6.00	4.75	1.00	0.75	0.50	4
235-40	2-1/2	7.10	7.00	5.50	1.12	0.75	0.56	4
235-48	3	7.80	7.50	6.00	1.19	0.75	0.62	4
235-56	3-1/2	10.60	8.50	7.00	1.25	0.75	0.69	8
235-64	4	11.55	9.00	7.50	1.31	0.75	0.69	8
235-80	5	15.95	10.00	8.50	1.44	0.88	0.75	8
235-96	6	18.05	11.00	9.50	1.56	0.88	0.81	8



** ⚠️ WARNING: This product can expose you to Lead, which is known to the State of California to cause cancer and birth defects or other reproductive harm. For more information go to www.P65Warnings.ca.gov. This product is not for use in potable water.

MERIT
BRASS

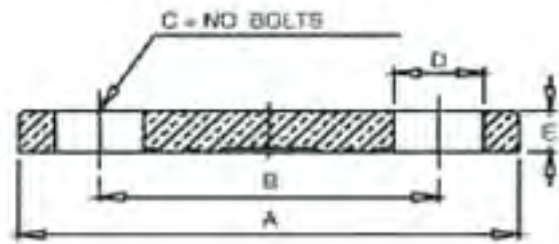
DIRECTING THE FLOW OF *Quality*

DIMENSIONAL SPECIFICATIONS

LEADED DOMESTIC BRASS FLANGES** 150 LB.

BLIND FLANGE

Part #	Size (IN.)	Approx. Net WT. (LB.)	A	B	C	D	E
235B-12	3/4	1.20	3.88	2.75	4	0.63	0.34
235B-16	1	1.65	4.25	3.12	4	0.63	0.38
235B-20	1-1/4	2.30	4.62	3.50	4	0.63	0.41
235B-24	1-1/2	3.50	5.00	3.88	4	0.63	0.44
235B-32	2	4.55	6.00	4.75	4	0.75	0.50
235B-40	2-1/2	7.15	7.00	5.50	4	0.75	0.56
235B-48	3	11.59	7.50	6.00	4	0.75	0.62
235B-64	4	12.90	9.00	7.50	8	0.75	0.69
235B-96	6	23.50	11.00	9.50	8	0.88	0.81



** ⚠ WARNING: This product can expose you to Lead, which is known to the State of California to cause cancer and birth defects or other reproductive harm. For more information go to www.P65Warnings.ca.gov. This product is not for use in potable water.

MERIT
BRASS

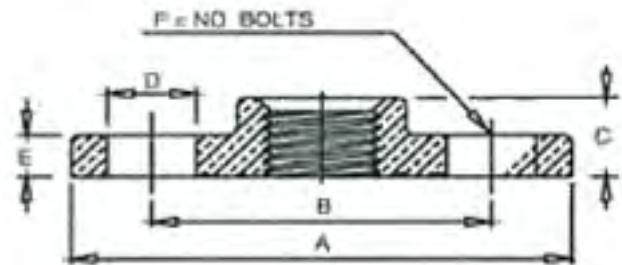
DIRECTING THE FLOW OF *Quality*

DIMENSIONAL SPECIFICATIONS

LEADED DOMESTIC BRASS FLANGES** 300 LB.

COMPANION FLANGE

Part #	Size (IN.)	Approx. Net WT. (LB.)	A	B	C	D	E	F
237-16	1	3.00	4.88	3.50	0.69	0.75	0.59	4
237-20	1-1/4	3.90	5.25	3.88	0.81	0.75	0.62	4
237-24	1-1/2	5.65	6.12	4.50	0.88	0.88	0.69	4
237-32	2	6.50	6.50	5.00	1.00	0.75	0.75	8
237-40	2-1/2	9.45	7.50	5.88	1.12	0.88	0.81	8
237-48	3	12.10	8.25	6.62	1.19	0.88	0.91	8
237-64	4	21.30	10.00	7.88	1.31	0.88	1.06	8
237-80	5	26.10	11.00	9.25	1.44	0.88	1.12	8
237-96	6	32.20	12.50	10.62	1.56	0.88	1.19	8



** ⚠ WARNING: This product can expose you to Lead, which is known to the State of California to cause cancer and birth defects or other reproductive harm. For more information go to www.P65Warnings.ca.gov. This product is not for use in potable water.

MERIT
BRASS

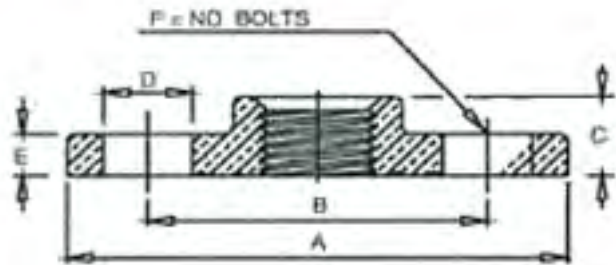
DIRECTING THE FLOW OF *Quality*

DIMENSIONAL SPECIFICATIONS

LEADED IMPORT BRASS FLANGES** 150 LB.

COMPANION FLANGE

Part #	Size (IN.)	Approx. Net WT. (LB.)	A	B	C	D	E	F
X235-08	1/2	0.81	3.50	2.38	0.59	0.63	0.31	4
X235-12	3/4	1.10	3.88	2.75	0.62	0.63	0.34	4
X235-16	1	1.47	4.25	3.12	0.69	0.63	0.38	4
X235-20	1-1/4	1.97	4.62	3.50	0.81	0.63	0.41	4
X235-24	1-1/2	2.53	5.00	3.88	0.88	0.63	0.44	4
X235-32	2	3.83	6.00	4.75	1.00	0.75	0.50	4
X235-40	2-1/2	6.05	7.00	5.50	1.12	0.75	0.56	4
X235-48	3	7.44	7.50	6.00	1.19	0.75	0.62	4
X235-64	4	11.59	9.00	7.50	1.31	0.75	0.69	8
X235-80	5	14.06	10.00	8.50	1.44	0.88	0.75	8
X235-96	6	17.46	11.00	9.50	1.56	0.88	0.81	8



**  **WARNING:** This product can expose you to Lead, which is known to the State of California to cause cancer and birth defects or other reproductive harm. For more information go to www.P65Warnings.ca.gov. This product is not for use in potable water.

MERIT BRASS

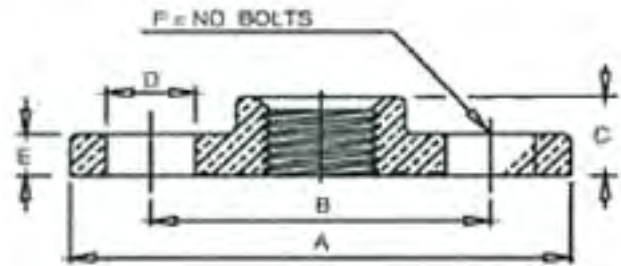
DIRECTING THE FLOW OF *Quality*

DIMENSIONAL SPECIFICATIONS

LEAD-FREE DOMESTIC BRASS FLANGES* 150 LB.

COMPANION FLANGE

Part #	Size (IN.)	Approx. Net WT. (LB.)	A	B	C	D	E	F
NL235-08	1/2	0.97	3.50	2.38	0.59	0.63	0.31	4
NL235-12	3/4	1.46	3.88	2.75	0.62	0.63	0.34	4
NL235-16	1	1.78	4.25	3.12	0.69	0.63	0.38	4
NL235-20	1-1/4	2.12	4.62	3.50	0.81	0.63	0.41	4
NL235-24	1-1/2	2.54	5.00	3.88	0.88	0.63	0.44	4
NL235-32	2	4.09	6.00	4.75	1.00	0.75	0.50	4
NL235-40	2-1/2	5.97	7.00	5.50	1.12	0.75	0.56	4
NL235-48	3	7.72	7.50	6.00	1.19	0.75	0.62	4
NL235-64	4	11.10	9.00	7.50	1.31	0.75	0.69	8
NL235-80	5	11.94	10.00	8.50	1.44	0.88	0.75	8
NL235-96	6	15.44	11.00	9.50	1.56	0.88	0.81	8



*Conforms with lead content requirements for lead-free plumbing as defined by the U.S. Safe Drinking Water Act. Certified <0.25 weighted average % lead.



MERIT BRASS

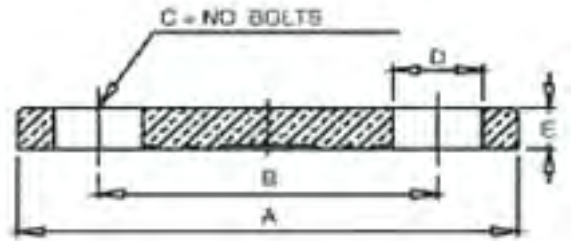
DIRECTING THE FLOW OF *Quality*

DIMENSIONAL SPECIFICATIONS

LEAD-FREE DOMESTIC BRASS FLANGES* 150 LB.

BLIND FLANGE

Part #	Size (IN.)	Approx. Net WT. (LB.)	A	B	C	D	E
NL235B-32	2	4.20	6.00	4.75	4	0.75	0.50
NL235B-48	3	8.23	7.50	6.00	4	0.75	0.62



*Conforms with lead content requirements for lead-free plumbing as defined by the U.S. Safe Drinking Water Act. Certified <0.25 weighted average % lead.



MERIT BRASS

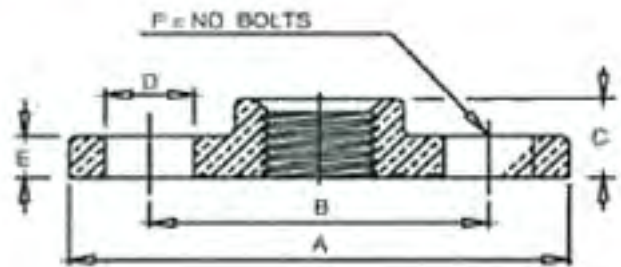
DIRECTING THE FLOW OF *Quality*

DIMENSIONAL SPECIFICATIONS

LEAD-FREE DOMESTIC BRASS FLANGES* 300 LB.

COMPANION FLANGE

Part #	Size (IN.)	Approx. Net WT. (LB.)	A	B	C	D	E	F
NL237-48	3	11.60	8.25	6.62	1.19	0.88	0.91	8
NL237-64	4	20.00	10.00	7.88	1.31	0.88	1.06	8



*Conforms with lead content requirements for lead-free plumbing as defined by the U.S. Safe Drinking Water Act. Certified <0.25 weighted average % lead.



MERIT BRASS

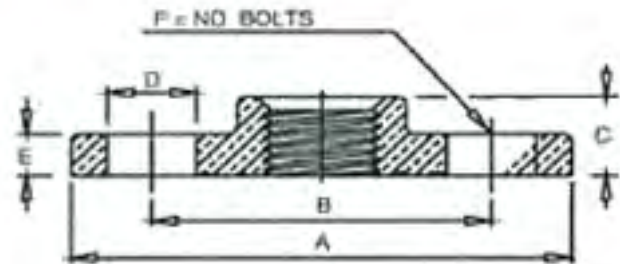
DIRECTING THE FLOW OF *Quality*

DIMENSIONAL SPECIFICATIONS

LEAD-FREE IMPORT BRASS FLANGES* 150 LB.

COMPANION FLANGE

Part #	Size (IN.)	Approx. Net WT. (LB.)	A	B	C	D	E	F
XNL235-08	1/2	0.81	3.50	2.38	0.59	0.63	0.31	4
XNL235-12	3/4	1.10	3.88	2.75	0.62	0.63	0.34	4
XNL235-16	1	1.47	4.25	3.12	0.69	0.63	0.38	4
XNL235-20	1-1/4	1.97	4.62	3.50	0.81	0.63	0.41	4
XNL235-24	1-1/2	2.53	5.00	3.88	0.88	0.63	0.44	4
XNL235-32	2	3.83	6.00	4.75	1.00	0.75	0.50	4
XNL235-40	2-1/2	6.05	7.00	5.50	1.12	0.75	0.56	4
XNL235-48	3	7.44	7.50	6.00	1.19	0.75	0.62	4
XNL235-64	4	11.59	9.00	7.50	1.31	0.75	0.69	8



*Conforms with lead content requirements for lead-free plumbing as defined by the U.S. Safe Drinking Water Act. Certified <0.25 weighted average % lead.



MERIT BRASS

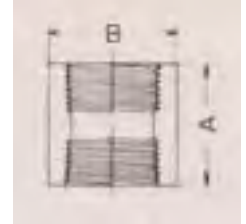
DIRECTING THE FLOW OF *Quality*

DIMENSIONAL SPECIFICATIONS

LEADED BRASS BARSTOCK FITTINGS**

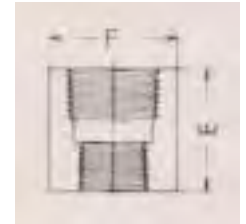
COUPLING

Part #	Size (IN.)	Approx. Net WT. (LB.)	A	B
BS111-02	1/8	0.02	1.00	0.63
BS111-04	1/4	0.04	1.13	0.75



REDUCING COUPLING

Part #	Size (IN.)	Approx. Net WT. (LB.)	E	F
BS112-0402	1/4 X 1/8	0.04	1.13	0.75
BS112-0602	3/8 X 1/8	0.07	1.19	0.88
BS112-0604	3/8 X 1/4	0.06	1.19	0.88



EXTENSION PIECE

Part #	Size (IN.)	Approx. Net WT. (LB.)		
BS232-04	1/4	0.09		



**  **WARNING:** This product can expose you to Lead, which is known to the State of California to cause cancer and birth defects or other reproductive harm. For more information go to www.P65Warnings.ca.gov. This product is not for use in potable water.

MERIT
BRASS

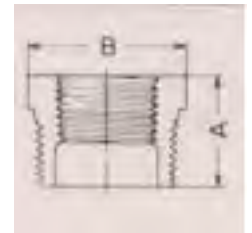
DIRECTING THE FLOW OF *Quality*

DIMENSIONAL SPECIFICATIONS

LEADED BRASS BARSTOCK FITTINGS**

HEX HEAD BUSHING

Part #	Size (IN.)	Approx. Net WT. (LB.)	A	B
BS114-0402	1/4 X 1/8	0.02	0.67	0.63
BS114-0602	3/8 X 1/8	0.05	0.75	0.69
BS114-0604	3/8 X 1/4	0.04	0.75	0.69
BS114-0802	1/2 X 1/8	0.09	0.81	0.88
BS114-0804	1/2 X 1/4	0.08	0.81	0.88
BS114-0806	1/2 X 3/8	0.06	0.81	0.88
BS114-1202	3/4 X 1/8	0.16	0.94	1.06
BS114-1204	3/4 X 1/4	0.18	0.94	1.06
BS114-1206	3/4 X 3/8	0.15	0.94	1.06
BS114-1208	3/4 X 1/2	0.11	0.94	1.06
BS114-1612	1 X 3/4	0.22	1.06	1.38



FACE BUSHING

Part #	Size (IN.)	Approx. Net WT. (LB.)		
BS115-0402	1/4 X 1/8	0.01		
BS115-0602	3/8 X 1/8	0.02		
BS115-0604	3/8 X 1/4	0.02		
BS115-0804	1/2 X 1/4	0.05		
BS115-0806	1/2 X 3/8	0.03		
BS115-1206	3/4 X 3/8	0.06		
BS115-1208	3/4 X 1/2	0.05		



**  **WARNING:** This product can expose you to Lead, which is known to the State of California to cause cancer and birth defects or other reproductive harm. For more information go to www.P65Warnings.ca.gov. This product is not for use in potable water.

**MERIT
BRASS**

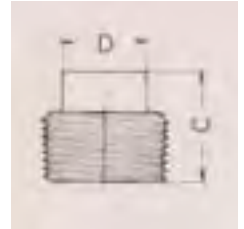
DIRECTING THE FLOW OF *Quality*

DIMENSIONAL SPECIFICATIONS

LEADED BRASS BARSTOCK FITTINGS**

SQUARE HEAD SOLID PLUG

Part #	Size (IN.)	Approx. Net WT. (LB.)	C	D
BS117A-02	1/8	0.02	0.69	0.28
BS117A-04	1/4	0.04	0.69	0.38
BS117A-06	3/8	0.06	0.82	0.44
BS117A-08	1/2	0.12	0.94	0.56



HEX HEAD PLUG

Part #	Size (IN.)	Approx. Net WT. (LB.)	B	E
BS117H-02	1/8	0.02	0.44	0.63
BS117H-04	1/4	0.03	0.63	0.75
BS117H-06	3/8	0.05	0.69	0.88
BS117H-08	1/2	0.08	0.88	0.94
BS117H-12	3/4	0.14	1.06	1.06



SLOTTED HEAD PLUG

Part #	Size (IN.)	Approx. Net WT. (LB.)		
BS117S-02	1/8	0.01		
BS117S-04	1/4	0.02		
BS117S-06	3/8	0.04		



**  **WARNING:** This product can expose you to Lead, which is known to the State of California to cause cancer and birth defects or other reproductive harm. For more information go to www.P65Warnings.ca.gov. This product is not for use in potable water.

MERIT
BRASS

DIRECTING THE FLOW OF *Quality*

DIMENSIONAL SPECIFICATIONS

LEADED BRASS BARSTOCK FITTINGS**

HEX COUNTERSUNK PLUG

Part #	Size (IN.)	Approx. Net WT. (LB.)	Hex	Length
BS118HC-02	1/8	0.01	0.19	0.30
BS118HC-04	1/4	0.02	0.25	0.45
BS118HC-06	3/8	0.03	0.31	0.45
BS118HC-08	1/2	0.07	0.38	0.60



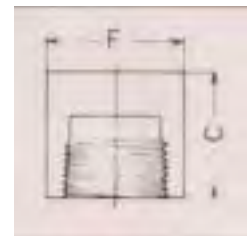
HEX LOCKNUT

Part #	Size (IN.)	Approx. Net WT. (LB.)		
BS119-02	1/8	0.02		
BS119-04	1/4	0.04		
BS119-08	3/8	0.04		



CAP

Part #	Size (IN.)	Approx. Net WT. (LB.)	C	F
BS116-02	1/8	0.03	0.69	0.63
BS116-04	1/4	0.02	0.69	0.75



**  **WARNING:** This product can expose you to Lead, which is known to the State of California to cause cancer and birth defects or other reproductive harm. For more information go to www.P65Warnings.ca.gov. This product is not for use in potable water.

**MERIT
BRASS**

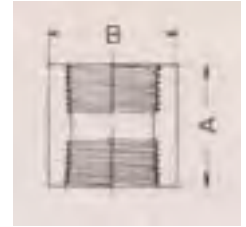
DIRECTING THE FLOW OF *Quality*

DIMENSIONAL SPECIFICATIONS

LEAD-FREE BRASS BARSTOCK FITTINGS*

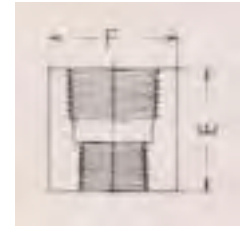
COUPLING

Part #	Size (IN.)	Approx. Net WT. (LB.)	A	B
NLBS111-02	1/8	0.02	1.00	0.63
NLBS111-04	1/4	0.04	1.13	0.75



REDUCING COUPLING

Part #	Size (IN.)	Approx. Net WT. (LB.)	E	F
NLBS112-0402	1/4 X 1/8	0.04	1.13	0.75
NLBS112-0602	3/8 X 1/8	0.07	1.19	0.88
NLBS112-0604	3/8 X 1/4	0.06	1.19	0.88



*Conforms with lead content requirements for lead-free plumbing as defined by the U.S. California Safe Drinking Water Act. Certified <0.25 weighted average % lead.

MERIT BRASS

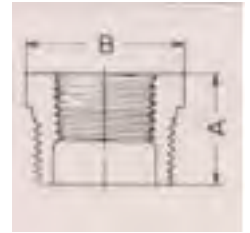
DIRECTING THE FLOW OF *Quality*

DIMENSIONAL SPECIFICATIONS

LEAD-FREE BRASS BARSTOCK FITTINGS*

HEX HEAD BUSHING

Part #	Size (IN.)	Approx. Net WT. (LB.)	A	B
NLBS114-0402	1/4 X 1/8	0.02	0.67	0.63
NLBS114-0602	3/8 X 1/8	0.05	0.75	0.69
NLBS114-0604	3/8 X 1/4	0.04	0.75	0.69
NLBS114-0802	1/2 X 1/8	0.09	0.81	0.88
NLBS114-0804	1/2 X 1/4	0.08	0.81	0.88
NLBS114-0806	1/2 X 3/8	0.06	0.81	0.88
NLBS114-1202	3/4 X 1/8	0.16	0.94	1.06
NLBS114-1204	3/4 X 1/4	0.18	0.94	1.06
NLBS114-1206	3/4 X 3/8	0.15	0.94	1.06
NLBS114-1208	3/4 X 1/2	0.11	0.94	1.06
NLBS114-1612	1 X 3/4	0.22	1.06	1.38



FACE BUSHING

Part #	Size (IN.)	Approx. Net WT. (LB.)		
NLBS115-0402	1/4 X 1/8	0.01		
NLBS115-0602	3/8 X 1/8	0.02		
NLBS115-0604	3/8 X 1/4	0.02		
NLBS115-0804	1/2 X 1/4	0.05		
NLBS115-0806	1/2 X 3/8	0.03		
NLBS115-1206	3/4 X 3/8	0.06		
NLBS115-1208	3/4 X 1/2	0.05		



*Conforms with lead content requirements for lead-free plumbing as defined by the U.S. California Safe Drinking Water Act. Certified <0.25 weighted average % lead.

MERIT BRASS

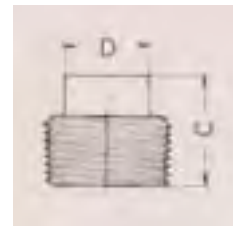
DIRECTING THE FLOW OF *Quality*

DIMENSIONAL SPECIFICATIONS

LEAD-FREE BRASS BARSTOCK FITTINGS*

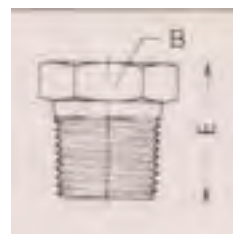
SQUARE HEAD SOLID PLUG

Part #	Size (IN.)	Approx. Net WT. (LB.)	C	D
NLBS117A-02	1/8	0.02	0.69	0.28
NLBS117A-04	1/4	0.04	0.69	0.38
NLBS117A-06	3/8	0.06	0.82	0.44
NLBS117A-08	1/2	0.12	0.94	0.56



HEX HEAD PLUG

Part #	Size (IN.)	Approx. Net WT. (LB.)	B	E
NLBS117H-02	1/8	0.02	0.44	0.63
NLBS117H-04	1/4	0.03	0.63	0.75
NLBS117H-06	3/8	0.05	0.69	0.88
NLBS117H-08	1/2	0.08	0.88	0.94
NLBS117H-12	3/4	0.14	1.06	1.06



SLOTTED HEAD PLUG

Part #	Size (IN.)	Approx. Net WT. (LB.)		
NLBS117S-02	1/8	0.01		



*Conforms with lead content requirements for lead-free plumbing as defined by the U.S. California Safe Drinking Water Act. Certified <0.25 weighted average % lead.



MERIT BRASS

DIRECTING THE FLOW OF *Quality*

DIMENSIONAL SPECIFICATIONS

LEAD-FREE BRASS BARSTOCK FITTINGS*

HEX COUNTERSUNK PLUG

Part #	Size (IN.)	Approx. Net WT. (LB.)	A
NLBS118HC-02	1/8	0.01	0.27
NLBS118HC-04	1/4	0.02	0.41
NLBS118HC-06	3/8	0.03	0.41
NLBS118HC-08	1/2	0.07	0.54



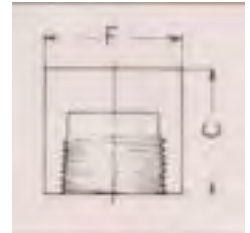
HEX LOCKNUT

Part #	Size (IN.)	Approx. Net WT. (LB.)	A
NLBS119-08	1/2	0.04	0.54



CAP

Par#	Size (IN.)	Approx. Net WT. (LB.)	C	F
NLBS116-02	1/8	0.03	0.69	0.63
NLBS116-04	1/4	0.02	0.69	0.75



*Conforms with lead content requirements for lead-free plumbing as defined by the U.S. California Safe Drinking Water Act. Certified <0.25 weighted average % lead.



MERIT BRASS

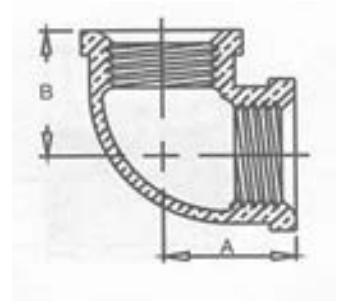
DIRECTING THE FLOW OF *Quality*

DIMENSIONAL SPECIFICATIONS

LEADED DOMESTIC BRASS FITTINGS** 250 LB.

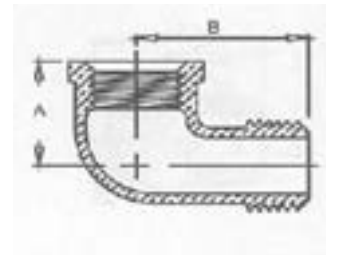
90 DEGREE ELBOW

Part #	Size (IN.)	Approx. Net WT. (LB.)	A	B
150-04	1/4	0.17	0.81	0.81
150-06	3/8	0.27	0.95	0.95
150-08	1/2	0.40	1.12	1.12
150-12	3/4	0.70	1.31	1.31
150-16	1	1.10	1.50	1.50
150-20	1-1/4	1.70	1.75	1.75
150-24	1-1/2	2.15	1.94	1.94
150-32	2	3.50	2.25	2.25
150-40	2-1/2	5.70	2.70	2.70
150-48	3	8.45	3.08	3.08



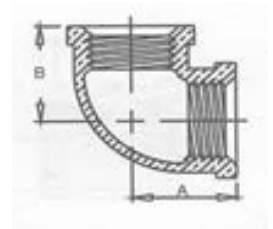
90 DEGREE STREET ELBOW

Part #	Size (IN.)	Approx. Net WT. (LB.)	A	B
160-16	1	1.00	1.50	1.98
160-24	1-1/2	2.00	1.75	2.24



90 DEGREE REDUCING ELBOW

Part #	Size (IN.)	Approx. Net WT. (LB.)	A	B
151-3224	2 x 1-1/2	3.00	2.02	2.16



** ⚠️ **WARNING:** This product can expose you to Lead, which is known to the State of California to cause cancer and birth defects or other reproductive harm. For more information go to www.P65Warnings.ca.gov. This product is not for use in potable water.

**MERIT
BRASS**

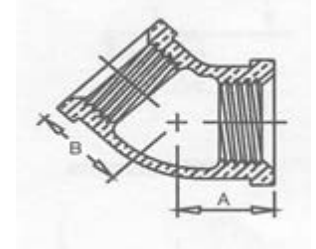
DIRECTING THE FLOW OF *Quality*

DIMENSIONAL SPECIFICATIONS

LEADED DOMESTIC BRASS FITTINGS** 250 LB.

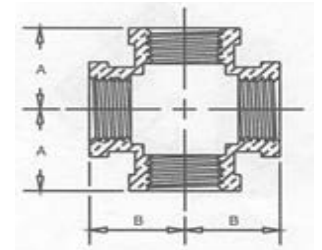
45 DEGREE ELBOW

Part #	Size (IN.)	Approx. Net WT. (LB.)	A
152-12	3/4	0.55	0.98
152-16	1	0.90	1.12
152-20	1-1/4	1.45	1.29
152-24	1-1/2	2.05	1.43
152-32	2	3.20	1.68



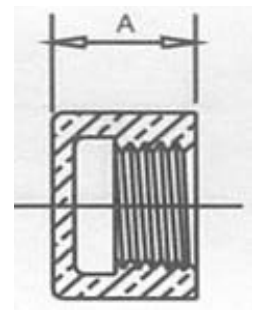
CROSS

Part #	Size (IN.)	Approx. Net WT. (LB.)	A
154-12	3/4	1.25	1.31
154-16	1	1.90	1.50
154-20	1-1/4	2.85	1.75
154-24	1-1/2	3.85	1.94
154-32	2	5.90	2.25



CAP

Part #	Size (IN.)	Approx. Net WT. (LB.)	A
158-08	1/2	0.24	0.86
158-12	3/4	0.35	1.02
158-16	1	0.55	1.10
158-20	1-1/4	1.00	1.29
158-24	1-1/2	1.20	1.33
158-32	2	2.05	1.55
158-48	3	4.75	2.00



** ⚠️ **WARNING:** This product can expose you to Lead, which is known to the State of California to cause cancer and birth defects or other reproductive harm. For more information go to www.P65Warnings.ca.gov. This product is not for use in potable water.

**MERIT
BRASS**

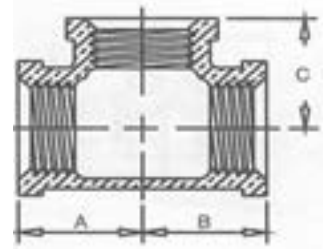
DIRECTING THE FLOW OF *Quality*

DIMENSIONAL SPECIFICATIONS

LEADED DOMESTIC BRASS FITTINGS** 250 LB.

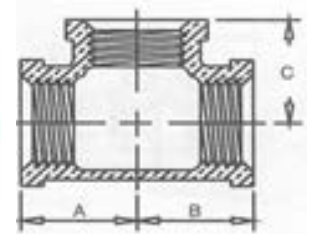
TEE

Part #	Size (IN.)	Approx. Net WT. (LB.)	A	B	C
153-06	3/8	0.35	0.95	0.95	0.95
153-08	1/2	0.60	1.12	1.12	1.12
153-12	3/4	0.95	1.31	1.31	1.31
153-16	1	1.45	1.50	1.50	1.50
153-20	1-1/4	5.80	1.75	1.75	1.75
153-24	1-1/2	2.95	1.94	1.94	1.94
153-32	2	4.60	2.25	2.25	2.25
153-40	2-1/2	7.55	2.70	2.70	2.70



REDUCING TEE

Part #	Size (IN.)	Approx. Net WT. (LB.)	A	B	C
153-160816	1 X 1/2 X 1	1.20	1.50	1.38	1.50
153-161608	1 X 1 X 1/2	1.20	1.26	1.26	1.36
153-161612	1 X 1 X 3/4	1.30	1.37	1.37	1.45



**  **WARNING:** This product can expose you to Lead, which is known to the State of California to cause cancer and birth defects or other reproductive harm. For more information go to www.P65Warnings.ca.gov. This product is not for use in potable water.

MERIT BRASS

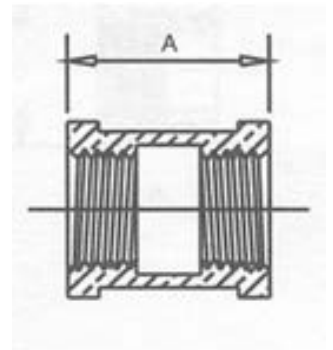
DIRECTING THE FLOW OF *Quality*

DIMENSIONAL SPECIFICATIONS

LEADED DOMESTIC BRASS FITTINGS** 250 LB.

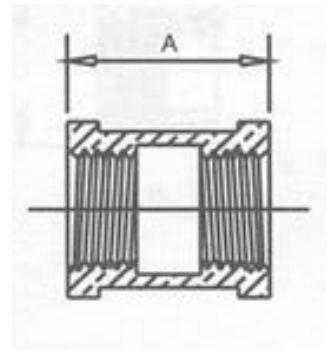
COUPLING

Part #	Size (IN.)	Approx. Net WT. (LB.)	A
157-04	1/4	0.16	1.06
157-06	3/8	0.20	1.16
157-08	1/2	0.40	1.34
157-12	3/4	0.60	1.52
157-16	1	0.85	1.67
157-20	1-1/4	1.30	1.93
157-24	1-1/2	1.80	2.15
157-32	2	2.55	2.53
157-40	2-1/2	4.65	2.88



REDUCING COUPLING

Part #	Size (IN.)	Approx. Net WT. (LB.)	A
156-1612	1 X 3/4	0.70	1.88
156-2016	1-1/4 X 1	1.15	2.13
156-2416	1-1/2 X 1	1.65	2.69
156-2420	1-1/2 X 1-1/4	1.80	2.25
156-3224	2 X 1-1/2	2.25	2.44
156-4032	2-1/2 X 2	3.30	2.63



** ⚠️ **WARNING:** This product can expose you to Lead, which is known to the State of California to cause cancer and birth defects or other reproductive harm. For more information go to www.P65Warnings.ca.gov. This product is not for use in potable water.

**MERIT
BRASS**

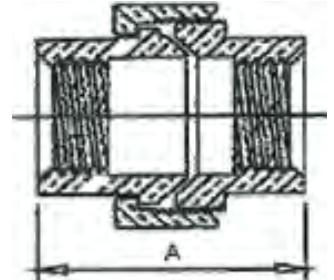
DIRECTING THE FLOW OF *Quality*

DIMENSIONAL SPECIFICATIONS

LEADED DOMESTIC BRASS FITTINGS** 250 LB.

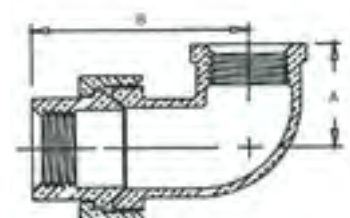
UNION

Part #	Size (IN.)	Approx. Net WT. (LB.)	A
190-04	1/4	0.36	1.56
190-06	3/8	0.45	1.75
190-08	1/2	0.65	2.00
190-12	3/4	1.05	2.13
190-16	1	1.65	2.44
190-20	1-1/4	2.35	2.69
190-24	1-1/2	2.95	2.81
190-32	2	4.00	3.19
190-40	2-1/2	5.65	3.63
190-48	3	8.85	3.69



90 DEGREE UNION ELBOW

Part #	Size (IN.)	Approx. Net WT. (LB.)	A	B
215-06	3/8	0.65	0.94	2.13
215-08	1/2	0.80	1.13	2.31
215-12	3/4	1.25	1.31	2.56
215-16	1	1.90	1.50	2.94
215-24	1-1/2	3.85	1.94	3.63
215-32	2	5.40	2.25	4.13



** ⚠️ **WARNING:** This product can expose you to Lead, which is known to the State of California to cause cancer and birth defects or other reproductive harm. For more information go to www.P65Warnings.ca.gov. This product is not for use in potable water.

**MERIT
BRASS**

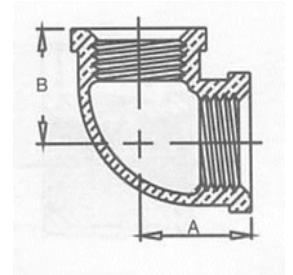
DIRECTING THE FLOW OF *Quality*

DIMENSIONAL SPECIFICATIONS

LEADED DOMESTIC BRASS FITTINGS** 125 LB.

90 DEGREE ELBOW

Part #	Size (IN.)	Approx. Net WT. (LB.)	A	B
101-02	1/8	0.06	0.54	0.54
101-04	1/4	0.08	0.71	0.71
101-06	3/8	0.16	0.82	0.82
101-08	1/2	0.24	1.01	1.01
101-12	3/4	0.38	1.18	1.18
101-16	1	0.60	1.43	1.43
101-20	1-1/4	0.95	1.69	1.69
101-24	1-1/2	1.03	1.84	1.84
101-32	2	1.95	2.12	2.12
101-40	2-1/2	3.45	2.70	2.70
101-48	3	3.90	3.08	3.08
101-64	4	10.23	3.79	3.79
101-80	5	18.90	4.50	4.50
101-96	6	23.55	5.13	5.13



**▲WARNING: This product can expose you to Lead, which is known to the State of California to cause cancer and birth defects or other reproductive harm. For more information go to www.P65Warnings.ca.gov. Leaded product is not for use in potable water.

**MERIT
BRASS**

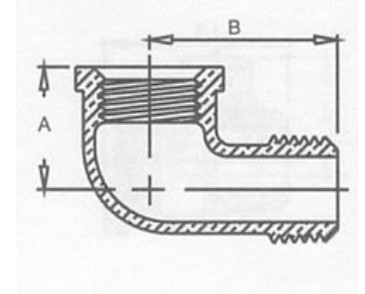
DIRECTING THE FLOW OF *Quality*

DIMENSIONAL SPECIFICATIONS

LEADED DOMESTIC BRASS FITTINGS** 125 LB.

90 DEGREE STREET ELBOW

Part #	Size (IN.)	Approx. Net WT. (LB.)	A	B
103-02	1/8	0.06	0.55	0.92
103-04	1/4	0.11	0.72	1.11
103-06	3/8	0.17	0.83	1.24
103-08	1/2	0.23	1.03	1.51
103-12	3/4	0.35	1.19	1.66
103-16	1	0.50	1.43	1.98
103-20	1-1/4	0.85	1.71	2.26
103-24	1-1/2	1.15	1.87	2.46
103-32	2	1.98	2.14	2.98
103-40	2-1/2	3.15	2.74	3.92
103-48	3	5.00	3.10	4.45



**⚠️WARNING: This product can expose you to Lead, which is known to the State of California to cause cancer and birth defects or other reproductive harm. For more information go to www.P65Warnings.ca.gov. Leaded product is not for use in potable water.

**MERIT
BRASS**

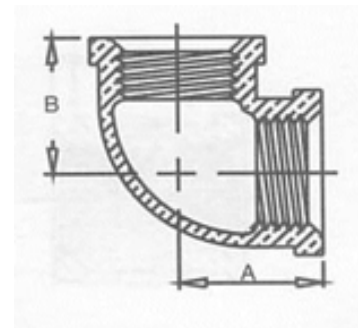
DIRECTING THE FLOW OF *Quality*

DIMENSIONAL SPECIFICATIONS

LEADED DOMESTIC BRASS FITTINGS** 125 LB.

90 DEGREE REDUCING ELBOW

Part #	Size (IN.)	Approx. Net WT. (LB.)	A	B
101-0402	1/4 X 1/8	0.10	0.65	0.60
101-0602	3/8 X 1/8	0.14	0.67	1.00
101-0604	3/8 X 1/4	0.17	0.75	0.75
101-0804	1/2 X 1/4	0.20	1.78	1.69
101-0806	1/2 X 3/8	0.19	0.93	0.90
101-1204	3/4 X 1/4	0.30	1.00	1.00
101-1206	3/4 X 3/8	0.25	0.97	0.97
101-1208	3/4 X 1/2	0.45	1.08	1.11
101-1608	1 X 1/2	0.45	1.20	1.24
101-1612	1 X 3/4	0.50	1.30	1.31
101-2008	1-1/4 X 1/2	0.70	1.25	1.38
101-2016	1-1/4 X 1	0.85	1.52	1.60
101-2416	1-1/2 X 1	0.95	1.55	1.72
101-2420	1-1/2 X 1-1/4	0.95	1.72	1.81
101-3208	2 X 1/2	1.25	1.17	2.92
101-3216	2 X 1	1.60	1.56	1.94
101-3220	2 X 1-1/4	1.40	1.75	2.06
101-3224	2 X 1-1/2	1.60	1.89	2.07
101-4024	2-1/2 X 1-1/2	2.75	2.19	2.50
101-4032	2-1/2 X 2	3.00	2.39	2.60
101-4832	3 X 2	3.80	2.50	2.88
101-4840	3 X 2-1/2	4.35	2.83	2.99



**⚠️WARNING: This product can expose you to Lead, which is known to the State of California to cause cancer and birth defects or other reproductive harm. For more information go to www.P65Warnings.ca.gov. Leaded product is not for use in potable water.

**MERIT
BRASS**

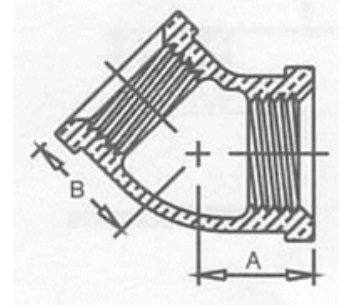
DIRECTING THE FLOW OF *Quality*

DIMENSIONAL SPECIFICATIONS

LEADED DOMESTIC BRASS FITTINGS** 125 LB.

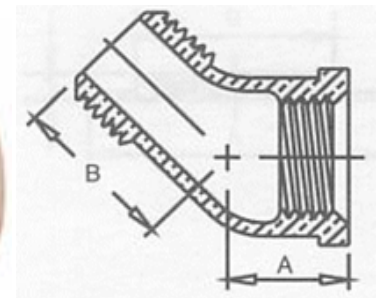
45 DEGREE ELBOW

Part #	Size (IN.)	Approx. Net WT. (LB.)	A	B
102-02	1/8	0.05	0.43	0.43
102-04	1/4	0.09	0.55	0.55
102-06	3/8	0.14	0.63	0.63
102-08	1/2	0.19	0.79	0.79
102-12	3/4	0.30	0.91	0.91
102-16	1	0.50	1.07	1.07
102-20	1-1/4	0.75	1.23	1.23
102-24	1-1/2	0.95	1.31	1.31
102-32	2	1.70	1.47	1.47
102-40	2-1/2	2.75	1.89	1.89
102-48	3	4.15	2.18	2.18



45 DEGREE STREET ELBOW

Part #	Size (IN.)	Approx. Net WT. (LB.)	A	B
103A-04	1/4	0.07	0.56	0.88
103A-06	3/8	0.12	0.63	0.92
103A-08	1/2	0.24	0.78	1.06
103A-12	3/4	0.30	0.89	1.23
103A-16	1	0.45	1.06	1.40
103A-20	1-1/4	0.65	1.22	1.64
103A-24	1-1/2	0.95	1.30	1.80
103A-32	2	1.40	1.45	2.14



**⚠️WARNING: This product can expose you to Lead, which is known to the State of California to cause cancer and birth defects or other reproductive harm. For more information go to www.P65Warnings.ca.gov. Leaded product is not for use in potable water.

**MERIT
BRASS**

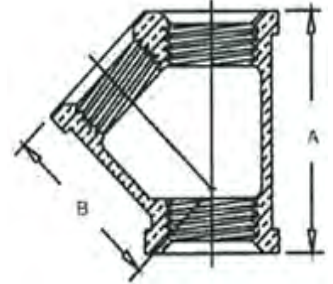
DIRECTING THE FLOW OF *Quality*

DIMENSIONAL SPECIFICATIONS

LEADED DOMESTIC BRASS FITTINGS** 125 LB.

45 DEGREE Y-BRANCH

Part #	Size (IN.)	Approx. Net WT. (LB.)	A	B
122-06	3/8	0.25	1.78	1.28
122-08	1/2	0.30	2.19	1.58
122-12	3/4	0.65	2.62	1.90
122-16	1	1.05	3.18	2.33
122-20	1-1/4	1.65	3.85	2.83
122-24	1-1/2	1.95	4.24	3.14
122-32	2	3.15	5.00	3.76
122-40	2-1/2	6.85	6.25	4.75
122-48	3	10.40	7.25	5.56
122-64	4	20.30	8.94	6.94



**⚠️WARNING: This product can expose you to Lead, which is known to the State of California to cause cancer and birth defects or other reproductive harm. For more information go to www.P65Warnings.ca.gov. Leaded product is not for use in potable water.

**MERIT
BRASS**

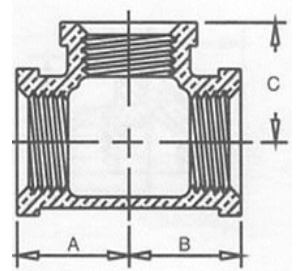
DIRECTING THE FLOW OF *Quality*

DIMENSIONAL SPECIFICATIONS

LEADED DOMESTIC BRASS FITTINGS** 125 LB.

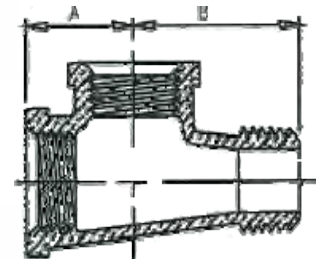
TEE

Part #	Size (IN.)	Approx. Net WT. (LB.)	A	B	C
106-02	1/8	0.07	0.54	0.54	0.54
106-04	1/4	0.14	0.71	0.71	0.71
106-06	3/8	0.21	0.82	0.82	0.82
106-08	1/2	0.30	1.01	1.01	1.01
106-12	3/4	0.50	1.18	1.18	1.18
106-16	1	0.80	1.43	1.43	1.43
106-20	1-1/4	1.47	1.69	1.69	1.69
106-24	1-1/2	1.50	1.84	1.84	1.84
106-32	2	2.25	2.12	2.12	2.12
106-40	2-1/2	4.65	2.70	2.70	2.70
106-48	3	6.70	3.08	3.08	3.08
106-64	4	11.30	3.79	3.79	3.79
106-96	6	33.45	5.13	5.13	5.13



STREET TEE

Part #	Size (IN.)	Approx. Net WT. (LB.)	A	B
106A-06	3/8	0.27	1.78	1.28
106A-08	1/2	0.40	2.19	1.59
106A-12	3/4	0.45	2.63	1.91
106A-16	1	1.00	1.19	2.34
106A-20	1-1/4	1.25	3.88	2.84
106A-24	1-1/2	2.00	1.84	2.47
106A-32	2	3.20	2.13	2.88



****⚠️WARNING:** This product can expose you to Lead, which is known to the State of California to cause cancer and birth defects or other reproductive harm. For more information go to www.P65Warnings.ca.gov. Leaded product is not for use in potable water.

MERIT BRASS

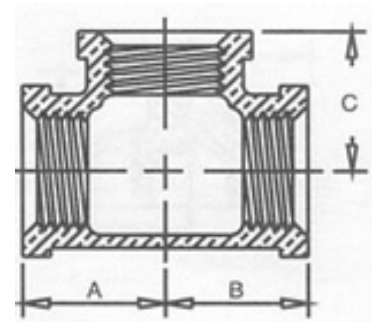
DIRECTING THE FLOW OF *Quality*

DIMENSIONAL SPECIFICATIONS

LEADED DOMESTIC BRASS FITTINGS** 125 LB.

REDUCING TEE

Part #	Size (IN.)	Approx. Net WT. (LB.)	A	B	C
106-040402	1/4 X 1/4 X 1/8	0.12	0.65	0.65	0.60
106-040406	1/4 X 1/4 X 3/8	0.16	0.78	0.72	0.75
106-060406	3/8 X 1/4 X 3/8	0.19	0.82	0.78	0.82
106-060604	3/8 X 3/8 X 1/4	0.18	0.75	0.75	0.78
106-060608	3/8 X 3/8 X 1/2	0.25	0.90	0.90	0.93
106-080408	1/2 X 1/4 X 1/2	0.25	0.93	0.87	0.93
106-080606	1/2 X 3/8 X 3/8	0.25	0.93	0.82	0.90
106-080608	1/2 X 3/8 X 1/2	0.30	1.01	0.90	1.01
106-080806	1/2 X 1/2 X 3/8	0.25	0.93	0.93	0.90
106-080812	1/2 X 1/2 X 3/4	0.40	1.11	1.11	1.08
106-080816	1/2 X 1/2 X 1	0.55	1.31	1.31	1.25
106-120606	3/4 X 3/8 X 3/8	0.35	1.00	1.00	1.00
106-120608	3/4 X 3/8 X 1/2	0.35	1.19	1.00	1.22
106-120808	3/4 X 1/2 X 1/2	0.35	1.08	1.01	1.11
106-120812	3/4 X 1/2 X 3/4	0.40	1.18	1.11	1.18
106-121204	3/4 X 3/4 X 1/4	0.35	1.00	1.00	1.00
106-121206	3/4 X 3/4 X 3/8	0.40	1.00	1.00	1.00
106-121208	3/4 X 3/4 X 1/2	0.40	1.08	1.08	1.11
106-121216	3/4 X 3/4 X 1	0.60	1.31	1.31	1.30
106-160816	1 X 1/2 X 1	0.60	1.43	1.24	1.43
106-161208	1 X 3/4 X 1/2	0.45	1.20	1.08	1.24
106-161212	1 X 3/4 X 3/4	0.55	1.30	1.08	1.31
106-161216	1 X 3/4 X 1	0.65	1.43	1.31	1.43
106-161606	1 X 1 X 3/8	0.55	1.12	1.12	1.13
106-161608	1 X 1 X 1/2	0.60	1.20	1.20	1.24



**⚠️WARNING: This product can expose you to Lead, which is known to the State of California to cause cancer and birth defects or other reproductive harm. For more information go to www.P65Warnings.ca.gov. Leaded product is not for use in potable water.

MERIT BRASS

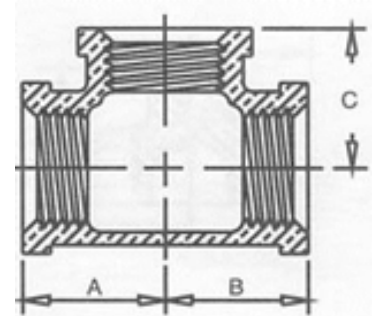
DIRECTING THE FLOW OF *Quality*

DIMENSIONAL SPECIFICATIONS

LEADED DOMESTIC BRASS FITTINGS** 125 LB.

REDUCING TEE CONTINUED

Part #	Size (IN.)	Approx. Net WT. (LB.)	A	B	C
106-161612	1 X 1 X 3/4	0.70	1.30	1.30	1.31
106-161620	1 X 1 X 1-1/4	0.95	1.60	1.60	1.52
106-161624	1 X 1 X 1-1/2	1.10	1.72	1.72	1.55
106-200820	1-1/4 X 1/2 X 1-1/4	0.85	1.69	1.40	1.69
106-201212	1-1/4 X 3/4 X 3/4	0.70	1.38	1.13	1.50
106-201220	1-1/4 X 3/4 X 1-1/4	1.00	1.69	1.48	1.69
106-201608	1-1/4 X 1 X 1/2	0.80	1.38	1.31	1.50
106-201612	1-1/4 X 1 X 3/4	0.80	1.39	1.30	1.48
106-201616	1-1/4 X 1 X 1	0.90	1.52	1.43	1.60
106-201620	1-1/4 X 1 X 1-1/4	1.10	1.69	1.60	1.69
106-202008	1-1/4 X 1-1/4 X 1/2	0.85	1.29	1.29	1.41
106-202012	1-1/4 X 1-1/4 X 3/4	0.85	1.39	1.39	1.48
106-202016	1-1/4 X 1-1/4 X 1	1.05	1.52	1.52	1.60
106-202024	1-1/4 X 1-1/4 X 1-1/2	1.30	1.81	1.81	1.72
106-240824	1-1/2 X 1/2 X 1-1/2	1.36	1.81	1.56	1.81
106-241224	1-1/2 X 3/4 X 1-1/2	1.35	1.84	1.60	1.84
106-241616	1-1/2 X 1 X 1	1.10	1.63	1.50	1.81
106-241620	1-1/2 X 1 X 1-1/4	1.55	1.81	1.69	1.88
106-241624	1-1/2 X 1 X 1-1/2	1.45	1.88	1.81	1.88
106-242020	1-1/2 X 1-1/4 X 1-1/4	1.45	1.72	1.69	1.81
106-242024	1-1/2 X 1-1/4 X 1-1/2	1.50	1.84	1.81	1.84
106-242408	1-1/2 X 1-1/2 X 1/2	1.05	1.32	1.32	1.53
106-242412	1-1/2 X 1-1/2 X 3/4	1.10	1.42	1.42	1.60
106-242416	1-1/2 X 1-1/2 X 1	1.30	1.55	1.55	1.72
106-242420	1-1/2 X 1-1/2 X 1-1/4	1.45	1.72	1.72	1.81
106-242432	1-1/2 X 1-1/2 X 2	1.90	2.07	2.07	1.89



**⚠️WARNING: This product can expose you to Lead, which is known to the State of California to cause cancer and birth defects or other reproductive harm. For more information go to www.P65Warnings.ca.gov. Leaded product is not for use in potable water.

**MERIT
BRASS**

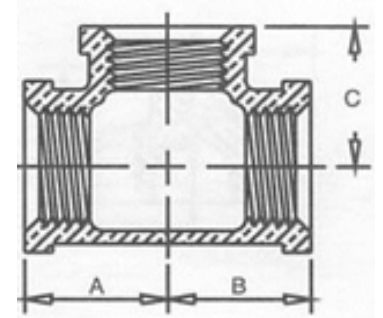
DIRECTING THE FLOW OF *Quality*

DIMENSIONAL SPECIFICATIONS

LEADED DOMESTIC BRASS FITTINGS** 125 LB.

REDUCING TEE CONTINUED

Part #	Size (IN.)	Approx. Net WT. (LB.)	A	B	C
106-321232	2 X 3/4 X 2	2.45	2.13	1.84	2.13
106-321632	2 X 1 X 2	2.25	2.13	2.06	2.13
106-322416	2 X 1-1/2 X 1	1.95	1.78	1.72	2.03
106-322420	2 X 1-1/2 X 1-1/4	2.20	1.78	1.72	2.03
106-322424	2 X 1-1/2 X 1-1/2	2.00	1.89	1.84	2.07
106-322432	2 X 1-1/2 X 2	2.35	2.12	2.07	2.12
106-323208	2 X 2 X 1/2	1.70	1.50	1.50	1.88
106-323212	2 X 2 X 3/4	1.65	1.47	1.47	1.84
106-323216	2 X 2 X 1	1.75	1.59	1.59	1.95
106-323220	2 X 2 X 1-1/4	1.95	1.77	1.77	2.04
106-323224	2 X 2 X 1-1/2	2.10	1.89	1.89	2.07
106-323240	2 X 2 X 2-1/2	3.75	2.60	2.60	2.39
106-402440	2-1/2 X 1-1/2 X 2-1/2	4.25	2.06	2.50	2.69
106-403232	2-1/2 X 2 X 2	3.80	2.39	2.25	2.60
106-403240	2-1/2 X 2 X 2-1/2	4.45	2.69	2.63	2.69
106-404016	2-1/2 X 2-1/2 X 1	2.85	1.88	1.88	2.38
106-404020	2-1/2 X 2-1/2 X 1-1/4	3.70	2.06	2.06	2.44
106-404024	2-1/2 X 2-1/2 X 1-1/2	4.00	2.16	2.16	2.50
106-404032	2-1/2 X 2-1/2 X 2	4.40	2.39	2.39	2.60
106-483232	3 X 2 X 2	4.85	2.50	2.25	2.88
106-483248	3 X 2 X 3	5.95	3.06	2.88	3.06
106-484040	3 X 2-1/2 X 2-1/2	6.00	2.81	2.69	3.00
106-484816	3 X 3 X 1	4.75	2.00	2.00	2.66
106-484832	3 X 3 X 2	5.55	2.52	2.52	2.89
106-484840	3 X 3 X 2-1/2	6.60	2.83	2.83	2.99
106-646432	4 X 4 X 2	9.25	2.75	2.75	3.41



**⚠️WARNING: This product can expose you to Lead, which is known to the State of California to cause cancer and birth defects or other reproductive harm. For more information go to www.P65Warnings.ca.gov. Leaded product is not for use in potable water.

MERIT BRASS

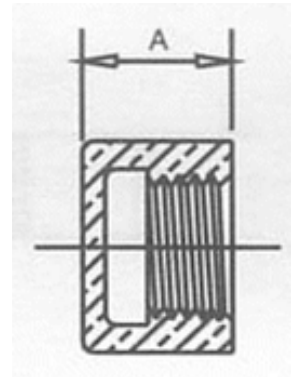
DIRECTING THE FLOW OF *Quality*

DIMENSIONAL SPECIFICATIONS

LEADED DOMESTIC BRASS FITTINGS** 125 LB.

CAP

Part #	Size (IN.)	Approx. Net WT. (LB.)	A
116-02	1/8	0.04	0.49
116-04	1/4	0.07	0.59
116-06	3/8	0.10	0.66
116-08	1/2	0.12	0.78
116-12	3/4	0.21	0.84
116-16	1	0.30	1.00
116-20	1-1/4	0.45	1.13
116-24	1-1/2	0.65	1.16
116-32	2	1.10	1.34
116-40	2-1/2	1.95	1.72
116-48	3	3.04	1.81
116-56	3-1/2	4.00	1.91
116-64	4	5.55	2.09



**⚠️WARNING: This product can expose you to Lead, which is known to the State of California to cause cancer and birth defects or other reproductive harm. For more information go to www.P65Warnings.ca.gov. Leaded product is not for use in potable water.

**MERIT
BRASS**

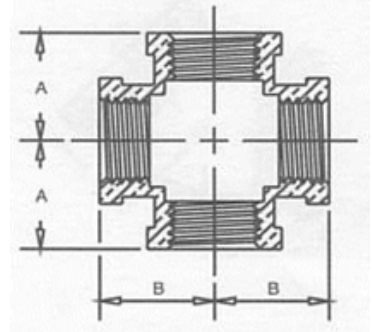
DIRECTING THE FLOW OF *Quality*

DIMENSIONAL SPECIFICATIONS

LEADED DOMESTIC BRASS FITTINGS** 125 LB.

CROSS

Part #	Size (IN.)	Approx. Net WT. (LB.)	A	B
110-02	1/8	0.10	0.54	0.54
110-04	1/4	0.21	0.71	0.71
110-06	3/8	0.25	0.82	0.82
110-08	1/2	0.35	1.01	1.01
110-12	3/4	0.55	1.18	1.18
110-16	1	0.95	1.43	1.43
110-20	1-1/4	1.40	1.69	1.69
110-24	1-1/2	1.95	1.84	1.84
110-32	2	1.90	2.12	2.12
110-48	3	7.75	3.08	3.08
110-64	4	14.85	3.79	3.79



**▲WARNING: This product can expose you to Lead, which is known to the State of California to cause cancer and birth defects or other reproductive harm. For more information go to www.P65Warnings.ca.gov. Leaded product is not for use in potable water.

**MERIT
BRASS**

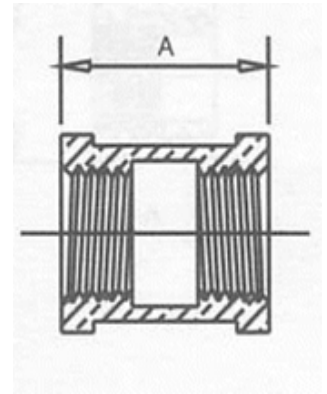
DIRECTING THE FLOW OF *Quality*

DIMENSIONAL SPECIFICATIONS

LEADED DOMESTIC BRASS FITTINGS** 125 LB.

COUPLING

Part #	Size (IN.)	Approx. Net WT. (LB.)	A
111-02	1/8	0.06	0.80
111-04	1/4	0.08	0.80
111-06	3/8	0.12	1.05
111-08	1/2	0.25	1.29
111-12	3/4	0.30	1.43
111-16	1	0.45	1.68
111-20	1-1/4	0.65	1.86
111-24	1-1/2	0.90	1.92
111-32	2	1.35	2.20
111-40	2-1/2	2.30	2.88
111-48	3	3.20	3.18
111-56	3-1/2	5.20	3.38
111-64	4	7.03	3.69
111-80	5	11.65	4.19
111-96	6	15.25	4.75



**▲WARNING: This product can expose you to Lead, which is known to the State of California to cause cancer and birth defects or other reproductive harm. For more information go to www.P65Warnings.ca.gov. Leaded product is not for use in potable water.

**MERIT
BRASS**

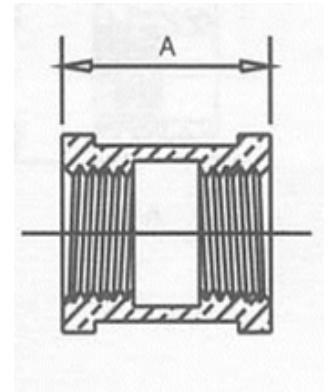
DIRECTING THE FLOW OF *Quality*

DIMENSIONAL SPECIFICATIONS

LEADED DOMESTIC BRASS FITTINGS** 125 LB.

REDUCING COUPLING

Part #	Size (IN.)	Approx. Net WT. (LB.)	A
112-0604	3/8 X 1/4	0.10	0.92
112-0806	1/2 X 3/8	0.16	1.17
112-1206	3/4 X 3/8	0.25	1.35
112-1208	3/4 X 1/2	0.25	1.35
112-1612	1 X 3/4	0.35	1.56
112-2012	1-1/4 X 3/4	0.50	1.77
112-2408	1-1/2 X 1/2	0.60	1.80
112-2412	1-1/2 X 3/4	0.65	1.80
112-2416	1-1/2 X 1	0.60	1.80
112-2420	1-1/2 X 1-1/4	0.75	1.80
112-3216	2 X 1	1.00	2.03
112-3220	2 X 1-1/4	1.05	2.03
112-4024	2-1/2 X 1-1/2	2.25	3.25
112-4032	2-1/2 X 2	1.65	3.25
112-4832	3 X 2	2.70	3.69
112-4840	3 X 2-1/2	2.95	3.69
112-6432	4 X 2	6.15	4.38
112-6448	4 X 3	5.95	4.38
112-9664	6 X 4	16.25	4.75



**▲WARNING: This product can expose you to Lead, which is known to the State of California to cause cancer and birth defects or other reproductive harm. For more information go to www.P65Warnings.ca.gov. Leaded product is not for use in potable water.

**MERIT
BRASS**

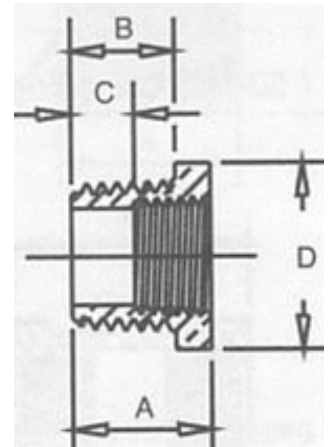
DIRECTING THE FLOW OF *Quality*

DIMENSIONAL SPECIFICATIONS

LEADED DOMESTIC BRASS FITTINGS** 125 LB.

HEX BUSHING

Part #	Size (IN.)	Approx. Net WT. (LB.)	A	B	C	D
114-0802	1/2 X 1/8	0.08	0.75	0.56	0.50	0.88
114-0804	1/2 X 1/4	0.10	0.75	0.56	0.43	0.88
114-0806	1/2 X 3/8	0.06	0.75	0.56	0.34	0.88
114-1202	3/4 X 1/8	0.15	0.88	0.63	0.25	1.16
114-1204	3/4 X 1/4	0.15	0.85	0.63	0.53	1.16
114-1206	3/4 X 3/8	0.14	0.85	0.63	0.49	1.16
114-1208	3/4 X 1/2	0.11	0.85	0.63	0.32	1.16
114-1602	1 X 1/8	0.25	1.06	0.75	0.75	1.44
114-1604	1 X 1/4	0.25	1.05	0.75	0.73	1.44
114-1606	1 X 3/8	0.25	1.05	0.75	0.69	1.13
114-1608	1 X 1/2	0.25	1.00	0.75	0.57	1.13
114-1612	1 X 3/4	0.19	1.00	0.75	0.50	1.13
114-2006	1-1/4 X 3/8	0.40	1.16	0.81	0.78	1.13
114-2008	1-1/4 X 1/2	0.40	1.14	0.80	0.71	1.34
114-2016	1-1/4 X 1	0.30	1.08	0.80	0.47	1.78
114-2406	1-1/2 X 3/8	0.50	1.14	0.81	0.57	1.78



NOTE: Bushings reducing to pipe sizes smaller than given are bushed from the smallest reduction appearing in the table.

****⚠️WARNING:** This product can expose you to Lead, which is known to the State of California to cause cancer and birth defects or other reproductive harm. For more information go to www.P65Warnings.ca.gov. Leaded product is not for use in potable water.

MERIT BRASS

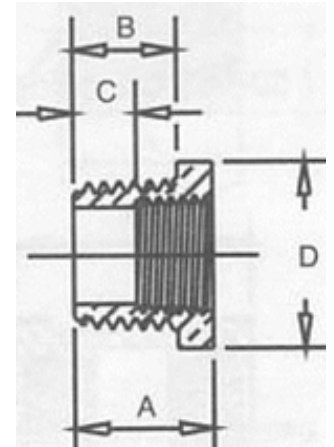
DIRECTING THE FLOW OF *Quality*

DIMENSIONAL SPECIFICATIONS

LEADED DOMESTIC BRASS FITTINGS** 125 LB.

HEX BUSHING CONTINUED

Part #	Size (IN.)	Approx. Net WT. (LB.)	A	B	C	D
114-2412	1-1/2 X 3/4	0.50	1.20	0.83	0.70	1.63
114-2416	1-1/2 X 1	0.45	1.14	0.83	0.56	2.00
114-2420	1-1/2 X 1-1/4	0.35	1.14	0.83	0.43	2.00
114-3204	2 X 1/4	1.10	1.25	0.25	0.73	2.38
114-3208	2 X 1/2	1.00	1.31	0.88	0.88	1.34
114-3212	2 X 3/4	0.95	1.31	0.88	0.81	1.63
114-3216	2 X 1	0.77	1.36	0.91	0.78	1.96
114-3220	2 X 1-1/4	0.75	1.22	0.88	0.55	2.50
114-3224	2 X 1-1/2	0.65	1.22	0.88	0.52	2.50
114-4016	2-1/2 X 1	1.45	1.53	1.09	0.94	1.97
114-4020	2-1/2 X 1-1/4	1.10	1.53	1.09	0.84	2.97
114-4032	2-1/2 X 2	1.15	1.44	1.07	0.69	2.41
114-4816	3 X 1	1.95	1.63	1.13	1.03	3.50
114-4820	3 X 1-1/4	1.75	1.63	1.13	0.94	3.50
114-4824	3 X 1-1/2	1.55	1.63	1.13	0.91	3.50
114-4832	3 X 2	1.65	1.61	1.13	0.86	3.50
114-4840	3 X 2-1/2	1.80	1.53	1.13	0.61	3.88



NOTE: Bushings reducing to pipe sizes smaller than given are bushed from the smallest reduction appearing in the table.

**▲WARNING: This product can expose you to Lead, which is known to the State of California to cause cancer and birth defects or other reproductive harm. For more information go to www.P65Warnings.ca.gov. Leaded product is not for use in potable water.

MERIT BRASS

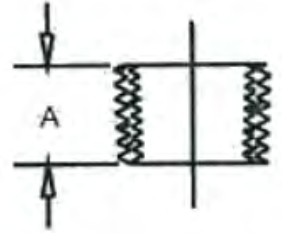
DIRECTING THE FLOW OF *Quality*

DIMENSIONAL SPECIFICATIONS

LEADED DOMESTIC BRASS FITTINGS** 125 LB.

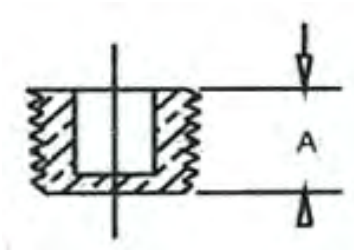
FACE BUSHING

Part #	Size (IN.)	Approx. Net WT. (LB.)	A
115-1204	3/4 X 1/4	0.11	0.63
115-1608	1 X 1/2	0.17	0.75



SQUARE COUNTERSUNK PLUG

Part #	Size (IN.)	Approx. Net WT. (LB.)	A
118-06	3/8	0.03	0.41
118-08	1/2	0.06	0.54
118-12	3/4	0.11	0.55
118-16	1	0.23	0.69
118-20	1-1/4	0.30	0.71
118-24	1-1/2	0.45	0.73
118-32	2	0.80	0.76
118-40	2-1/2	1.55	1.07
118-48	3	2.60	1.13
118-64	4	4.35	1.22



****⚠️WARNING:** This product can expose you to Lead, which is known to the State of California to cause cancer and birth defects or other reproductive harm. For more information go to www.P65Warnings.ca.gov. Leaded product is not for use in potable water.

MERIT BRASS

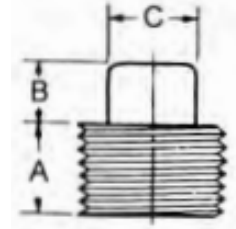
DIRECTING THE FLOW OF *Quality*

DIMENSIONAL SPECIFICATIONS

LEADED DOMESTIC BRASS FITTINGS** 125 LB.

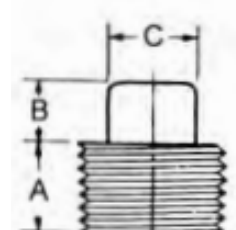
SQUARE HEAD CORED PLUG

Part #	Size (IN.)	Approx. Net WT. (LB.)	A	B	C
117-08	1/2	0.11	0.54	0.38	0.56
117-12	3/4	0.15	0.55	0.44	0.63
117-16	1	0.26	0.69	0.50	0.81
117-20	1-1/4	0.35	0.71	0.56	0.94
117-24	1-1/2	0.45	0.73	0.62	1.13
117-32	2	0.60	0.76	0.68	1.31
117-40	2-1/2	1.10	1.07	0.74	1.50
117-48	3	1.95	1.13	0.80	1.69
117-64	4	3.30	1.22	0.92	2.25



SQUARE HEAD SOLID PLUG

Part #	Size (IN.)	Approx. Net WT. (LB.)	A	B	C
117A-06	3/8	0.06	0.41	0.31	0.44
117A-08	1/2	0.12	0.54	0.38	0.56
117A-12	3/4	0.20	0.55	0.44	0.63
117A-16	1	0.25	0.69	0.50	0.81
117A-20	1-1/4	0.50	0.71	0.56	0.94
117A-24	1-1/2	0.75	0.73	0.62	1.13
117A-32	2	1.05	0.76	0.68	1.31
117A-40	2-1/2	2.40	1.07	0.74	1.50
117A-48	3	3.80	1.13	0.80	1.69
117A-64	4	6.85	1.22	0.92	2.25



**▲WARNING: This product can expose you to Lead, which is known to the State of California to cause cancer and birth defects or other reproductive harm. For more information go to www.P65Warnings.ca.gov. Leaded product is not for use in potable water.

MERIT BRASS

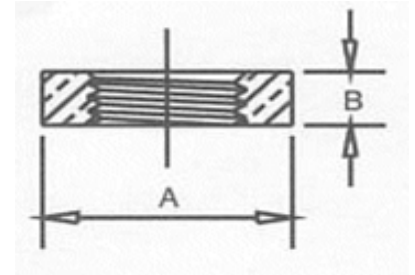
DIRECTING THE FLOW OF *Quality*

DIMENSIONAL SPECIFICATIONS

LEADED DOMESTIC BRASS FITTINGS** 125 LB.

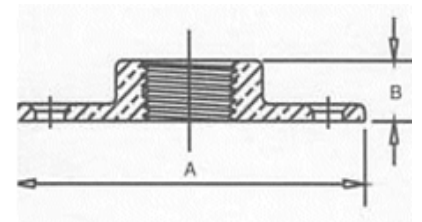
HEX LOCKNUT

Part #	Size (IN.)	Approx. Net WT. (LB.)	A	B
119-02	1/8	0.02	0.88	0.25
119-04	1/4	0.03	0.88	0.25
119-06	3/8	0.04	1.00	0.28
119-08	1/2	0.07	1.28	0.31
119-12	3/4	0.09	1.50	0.28
119-16	1	0.12	1.75	0.34
119-20	1-1/4	0.30	2.09	0.38
119-24	1-1/2	0.35	2.44	0.41
119-32	2	0.60	2.94	0.47
119-40	2-1/2	1.15	3.50	0.56
119-48	3	1.70	4.25	0.63
119-64	4	3.20	5.38	0.81



FLOOR FLANGE

Part #	Size (IN.)	Approx. Net WT. (LB.)	A	B
240-02	1/8	0.16	2.31	0.30
240-04	1/4	0.19	2.47	0.38
240-06	3/8	0.23	2.69	0.47
240-08	1/2	0.30	3.52	0.55
240-12	3/4	0.50	3.52	0.62
240-16	1	0.85	4.02	0.70
240-20	1 1/4	1.00	4.02	0.76
240-24	1 1/2	1.25	4.53	0.89
240-32	2	2.10	5.54	1.00



**▲WARNING: This product can expose you to Lead, which is known to the State of California to cause cancer and birth defects or other reproductive harm. For more information go to www.P65Warnings.ca.gov. Leaded product is not for use in potable water.

MERIT
BRASS

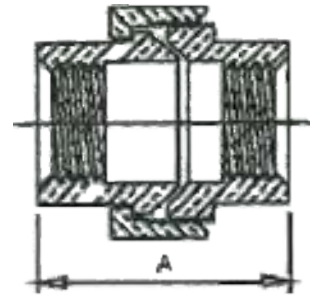
DIRECTING THE FLOW OF *Quality*

DIMENSIONAL SPECIFICATIONS

LEADED DOMESTIC BRASS FITTINGS** 125 LB.

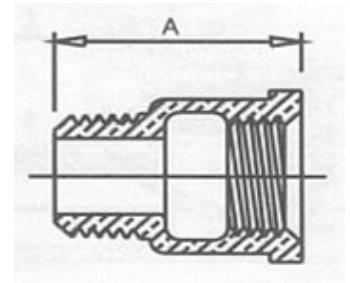
UNION

Part #	Size (IN.)	Approx. Net WT. (LB.)	A
187-04	1/4	0.20	1.25
187-06	3/8	0.30	1.48
187-08	1/2	0.45	1.56
187-12	3/4	0.62	1.87
187-16	1	0.85	2.11
187-20	1-1/4	1.40	2.34
187-24	1-1/2	1.75	2.65
187-32	2	2.75	2.96



EXTENSION PIECE

Part #	Size (IN.)	Approx. Net WT. (LB.)	A
232-06	3/8	0.10	1.03
232-08	1/2	0.19	1.47
232-12	3/4	0.26	1.81
232-16	1	0.45	2.19
232-20	1-1/4	0.65	2.06
232-24	1-1/2	0.75	2.09
232-32	2	1.15	2.31



**⚠️WARNING: This product can expose you to Lead, which is known to the State of California to cause cancer and birth defects or other reproductive harm. For more information go to www.P65Warnings.ca.gov. Leaded product is not for use in potable water.

**MERIT
BRASS**

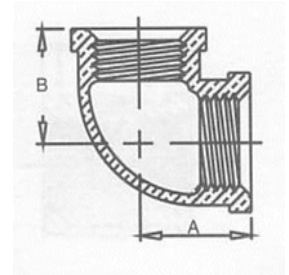
DIRECTING THE FLOW OF *Quality*

DIMENSIONAL SPECIFICATIONS

LEADED DOMESTIC BRASS FITTINGS** 125 LB.

90 DEGREE ELBOW

Part #	Size (IN.)	Approx. Net WT. (LB.)	A	B
101-02	1/8	0.06	0.54	0.54
101-04	1/4	0.08	0.71	0.71
101-06	3/8	0.16	0.82	0.82
101-08	1/2	0.24	1.01	1.01
101-12	3/4	0.38	1.18	1.18
101-16	1	0.60	1.43	1.43
101-20	1-1/4	0.95	1.69	1.69
101-24	1-1/2	1.03	1.84	1.84
101-32	2	1.95	2.12	2.12
101-40	2-1/2	3.45	2.70	2.70
101-48	3	3.90	3.08	3.08
101-64	4	10.23	3.79	3.79
101-80	5	18.90	4.50	4.50
101-96	6	23.55	5.13	5.13



**⚠️WARNING: This product can expose you to Lead, which is known to the State of California to cause cancer and birth defects or other reproductive harm. For more information go to www.P65Warnings.ca.gov. Leaded product is not for use in potable water.

**MERIT
BRASS**

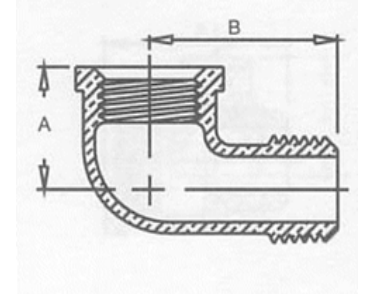
DIRECTING THE FLOW OF *Quality*

DIMENSIONAL SPECIFICATIONS

LEADED DOMESTIC BRASS FITTINGS** 125 LB.

90 DEGREE STREET ELBOW

Part #	Size (IN.)	Approx. Net WT. (LB.)	A	B
103-02	1/8	0.06	0.55	0.92
103-04	1/4	0.11	0.72	1.11
103-06	3/8	0.17	0.83	1.24
103-08	1/2	0.23	1.03	1.51
103-12	3/4	0.35	1.19	1.66
103-16	1	0.50	1.43	1.98
103-20	1-1/4	0.85	1.71	2.26
103-24	1-1/2	1.15	1.87	2.46
103-32	2	1.98	2.14	2.98
103-40	2-1/2	3.15	2.74	3.92
103-48	3	5.00	3.10	4.45



**⚠️WARNING: This product can expose you to Lead, which is known to the State of California to cause cancer and birth defects or other reproductive harm. For more information go to www.P65Warnings.ca.gov. Leaded product is not for use in potable water.

**MERIT
BRASS**

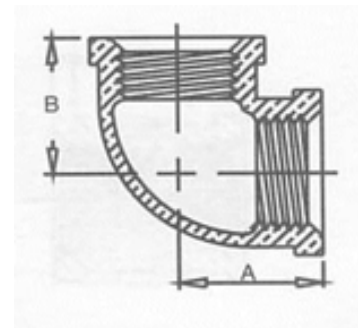
DIRECTING THE FLOW OF *Quality*

DIMENSIONAL SPECIFICATIONS

LEADED DOMESTIC BRASS FITTINGS** 125 LB.

90 DEGREE REDUCING ELBOW

Part #	Size (IN.)	Approx. Net WT. (LB.)	A	B
101-0402	1/4 X 1/8	0.10	0.65	0.60
101-0602	3/8 X 1/8	0.14	0.67	1.00
101-0604	3/8 X 1/4	0.17	0.75	0.75
101-0804	1/2 X 1/4	0.20	1.78	1.69
101-0806	1/2 X 3/8	0.19	0.93	0.90
101-1204	3/4 X 1/4	0.30	1.00	1.00
101-1206	3/4 X 3/8	0.25	0.97	0.97
101-1208	3/4 X 1/2	0.45	1.08	1.11
101-1608	1 X 1/2	0.45	1.20	1.24
101-1612	1 X 3/4	0.50	1.30	1.31
101-2008	1-1/4 X 1/2	0.70	1.25	1.38
101-2016	1-1/4 X 1	0.85	1.52	1.60
101-2416	1-1/2 X 1	0.95	1.55	1.72
101-2420	1-1/2 X 1-1/4	0.95	1.72	1.81
101-3208	2 X 1/2	1.25	1.17	2.92
101-3216	2 X 1	1.60	1.56	1.94
101-3220	2 X 1-1/4	1.40	1.75	2.06
101-3224	2 X 1-1/2	1.60	1.89	2.07
101-4024	2-1/2 X 1-1/2	2.75	2.19	2.50
101-4032	2-1/2 X 2	3.00	2.39	2.60
101-4832	3 X 2	3.80	2.50	2.88
101-4840	3 X 2-1/2	4.35	2.83	2.99



**⚠️WARNING: This product can expose you to Lead, which is known to the State of California to cause cancer and birth defects or other reproductive harm. For more information go to www.P65Warnings.ca.gov. Leaded product is not for use in potable water.

**MERIT
BRASS**

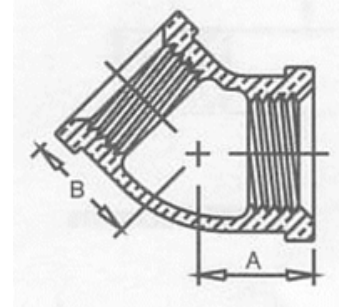
DIRECTING THE FLOW OF *Quality*

DIMENSIONAL SPECIFICATIONS

LEADED DOMESTIC BRASS FITTINGS** 125 LB.

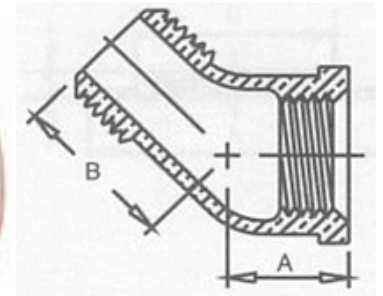
45 DEGREE ELBOW

Part #	Size (IN.)	Approx. Net WT. (LB.)	A	B
102-02	1/8	0.05	0.43	0.43
102-04	1/4	0.09	0.55	0.55
102-06	3/8	0.14	0.63	0.63
102-08	1/2	0.19	0.79	0.79
102-12	3/4	0.30	0.91	0.91
102-16	1	0.50	1.07	1.07
102-20	1-1/4	0.75	1.23	1.23
102-24	1-1/2	0.95	1.31	1.31
102-32	2	1.70	1.47	1.47
102-40	2-1/2	2.75	1.89	1.89
102-48	3	4.15	2.18	2.18



45 DEGREE STREET ELBOW

Part #	Size (IN.)	Approx. Net WT. (LB.)	A	B
103A-04	1/4	0.07	0.56	0.88
103A-06	3/8	0.12	0.63	0.92
103A-08	1/2	0.24	0.78	1.06
103A-12	3/4	0.30	0.89	1.23
103A-16	1	0.45	1.06	1.40
103A-20	1-1/4	0.65	1.22	1.64
103A-24	1-1/2	0.95	1.30	1.80
103A-32	2	1.40	1.45	2.14



**⚠️WARNING: This product can expose you to Lead, which is known to the State of California to cause cancer and birth defects or other reproductive harm. For more information go to www.P65Warnings.ca.gov. Leaded product is not for use in potable water.

**MERIT
BRASS**

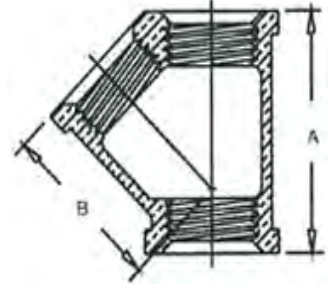
DIRECTING THE FLOW OF *Quality*

DIMENSIONAL SPECIFICATIONS

LEADED DOMESTIC BRASS FITTINGS** 125 LB.

45 DEGREE Y-BRANCH

Part #	Size (IN.)	Approx. Net WT. (LB.)	A	B
122-06	3/8	0.25	1.78	1.28
122-08	1/2	0.30	2.19	1.58
122-12	3/4	0.65	2.62	1.90
122-16	1	1.05	3.18	2.33
122-20	1-1/4	1.65	3.85	2.83
122-24	1-1/2	1.95	4.24	3.14
122-32	2	3.15	5.00	3.76
122-40	2-1/2	6.85	6.25	4.75
122-48	3	10.40	7.25	5.56
122-64	4	20.30	8.94	6.94



**⚠️WARNING: This product can expose you to Lead, which is known to the State of California to cause cancer and birth defects or other reproductive harm. For more information go to www.P65Warnings.ca.gov. Leaded product is not for use in potable water.

MERIT
BRASS

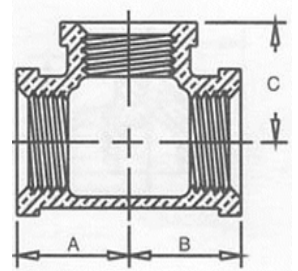
DIRECTING THE FLOW OF *Quality*

DIMENSIONAL SPECIFICATIONS

LEADED DOMESTIC BRASS FITTINGS** 125 LB.

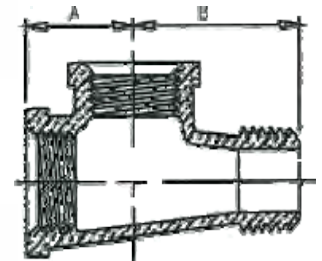
TEE

Part #	Size (IN.)	Approx. Net WT. (LB.)	A	B	C
106-02	1/8	0.07	0.54	0.54	0.54
106-04	1/4	0.14	0.71	0.71	0.71
106-06	3/8	0.21	0.82	0.82	0.82
106-08	1/2	0.30	1.01	1.01	1.01
106-12	3/4	0.50	1.18	1.18	1.18
106-16	1	0.80	1.43	1.43	1.43
106-20	1-1/4	1.47	1.69	1.69	1.69
106-24	1-1/2	1.50	1.84	1.84	1.84
106-32	2	2.25	2.12	2.12	2.12
106-40	2-1/2	4.65	2.70	2.70	2.70
106-48	3	6.70	3.08	3.08	3.08
106-64	4	11.30	3.79	3.79	3.79
106-96	6	33.45	5.13	5.13	5.13



STREET TEE

Part #	Size (IN.)	Approx. Net WT. (LB.)	A	B
106A-06	3/8	0.27	1.78	1.28
106A-08	1/2	0.40	2.19	1.59
106A-12	3/4	0.45	2.63	1.91
106A-16	1	1.00	1.19	2.34
106A-20	1-1/4	1.25	3.88	2.84
106A-24	1-1/2	2.00	1.84	2.47
106A-32	2	3.20	2.13	2.88



**⚠️WARNING: This product can expose you to Lead, which is known to the State of California to cause cancer and birth defects or other reproductive harm. For more information go to www.P65Warnings.ca.gov. Leaded product is not for use in potable water.

MERIT BRASS

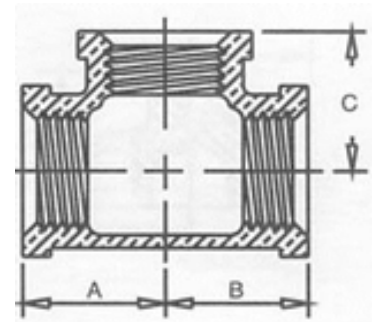
DIRECTING THE FLOW OF *Quality*

DIMENSIONAL SPECIFICATIONS

LEADED DOMESTIC BRASS FITTINGS** 125 LB.

REDUCING TEE

Part #	Size (IN.)	Approx. Net WT. (LB.)	A	B	C
106-040402	1/4 X 1/4 X 1/8	0.12	0.65	0.65	0.60
106-040406	1/4 X 1/4 X 3/8	0.16	0.78	0.72	0.75
106-060406	3/8 X 1/4 X 3/8	0.19	0.82	0.78	0.82
106-060604	3/8 X 3/8 X 1/4	0.18	0.75	0.75	0.78
106-060608	3/8 X 3/8 X 1/2	0.25	0.90	0.90	0.93
106-080408	1/2 X 1/4 X 1/2	0.25	0.93	0.87	0.93
106-080606	1/2 X 3/8 X 3/8	0.25	0.93	0.82	0.90
106-080608	1/2 X 3/8 X 1/2	0.30	1.01	0.90	1.01
106-080806	1/2 X 1/2 X 3/8	0.25	0.93	0.93	0.90
106-080812	1/2 X 1/2 X 3/4	0.40	1.11	1.11	1.08
106-080816	1/2 X 1/2 X 1	0.55	1.31	1.31	1.25
106-120606	3/4 X 3/8 X 3/8	0.35	1.00	1.00	1.00
106-120608	3/4 X 3/8 X 1/2	0.35	1.19	1.00	1.22
106-120808	3/4 X 1/2 X 1/2	0.35	1.08	1.01	1.11
106-120812	3/4 X 1/2 X 3/4	0.40	1.18	1.11	1.18
106-121204	3/4 X 3/4 X 1/4	0.35	1.00	1.00	1.00
106-121206	3/4 X 3/4 X 3/8	0.40	1.00	1.00	1.00
106-121208	3/4 X 3/4 X 1/2	0.40	1.08	1.08	1.11
106-121216	3/4 X 3/4 X 1	0.60	1.31	1.31	1.30
106-160816	1 X 1/2 X 1	0.60	1.43	1.24	1.43
106-161208	1 X 3/4 X 1/2	0.45	1.20	1.08	1.24
106-161212	1 X 3/4 X 3/4	0.55	1.30	1.08	1.31
106-161216	1 X 3/4 X 1	0.65	1.43	1.31	1.43
106-161606	1 X 1 X 3/8	0.55	1.12	1.12	1.13
106-161608	1 X 1 X 1/2	0.60	1.20	1.20	1.24



**⚠️WARNING: This product can expose you to Lead, which is known to the State of California to cause cancer and birth defects or other reproductive harm. For more information go to www.P65Warnings.ca.gov. Leaded product is not for use in potable water.

MERIT BRASS

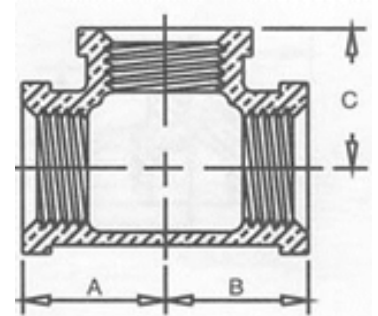
DIRECTING THE FLOW OF *Quality*

DIMENSIONAL SPECIFICATIONS

LEADED DOMESTIC BRASS FITTINGS** 125 LB.

REDUCING TEE CONTINUED

Part #	Size (IN.)	Approx. Net WT. (LB.)	A	B	C
106-161612	1 X 1 X 3/4	0.70	1.30	1.30	1.31
106-161620	1 X 1 X 1-1/4	0.95	1.60	1.60	1.52
106-161624	1 X 1 X 1-1/2	1.10	1.72	1.72	1.55
106-200820	1-1/4 X 1/2 X 1-1/4	0.85	1.69	1.40	1.69
106-201212	1-1/4 X 3/4 X 3/4	0.70	1.38	1.13	1.50
106-201220	1-1/4 X 3/4 X 1-1/4	1.00	1.69	1.48	1.69
106-201608	1-1/4 X 1 X 1/2	0.80	1.38	1.31	1.50
106-201612	1-1/4 X 1 X 3/4	0.80	1.39	1.30	1.48
106-201616	1-1/4 X 1 X 1	0.90	1.52	1.43	1.60
106-201620	1-1/4 X 1 X 1-1/4	1.10	1.69	1.60	1.69
106-202008	1-1/4 X 1-1/4 X 1/2	0.85	1.29	1.29	1.41
106-202012	1-1/4 X 1-1/4 X 3/4	0.85	1.39	1.39	1.48
106-202016	1-1/4 X 1-1/4 X 1	1.05	1.52	1.52	1.60
106-202024	1-1/4 X 1-1/4 X 1-1/2	1.30	1.81	1.81	1.72
106-240824	1-1/2 X 1/2 X 1-1/2	1.36	1.81	1.56	1.81
106-241224	1-1/2 X 3/4 X 1-1/2	1.35	1.84	1.60	1.84
106-241616	1-1/2 X 1 X 1	1.10	1.63	1.50	1.81
106-241620	1-1/2 X 1 X 1-1/4	1.55	1.81	1.69	1.88
106-241624	1-1/2 X 1 X 1-1/2	1.45	1.88	1.81	1.88
106-242020	1-1/2 X 1-1/4 X 1-1/4	1.45	1.72	1.69	1.81
106-242024	1-1/2 X 1-1/4 X 1-1/2	1.50	1.84	1.81	1.84
106-242408	1-1/2 X 1-1/2 X 1/2	1.05	1.32	1.32	1.53
106-242412	1-1/2 X 1-1/2 X 3/4	1.10	1.42	1.42	1.60
106-242416	1-1/2 X 1-1/2 X 1	1.30	1.55	1.55	1.72
106-242420	1-1/2 X 1-1/2 X 1-1/4	1.45	1.72	1.72	1.81
106-242432	1-1/2 X 1-1/2 X 2	1.90	2.07	2.07	1.89



**⚠️WARNING: This product can expose you to Lead, which is known to the State of California to cause cancer and birth defects or other reproductive harm. For more information go to www.P65Warnings.ca.gov. Leaded product is not for use in potable water.

**MERIT
BRASS**

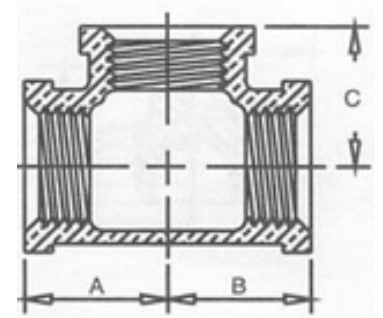
DIRECTING THE FLOW OF *Quality*

DIMENSIONAL SPECIFICATIONS

LEADED DOMESTIC BRASS FITTINGS** 125 LB.

REDUCING TEE CONTINUED

Part #	Size (IN.)	Approx. Net WT. (LB.)	A	B	C
106-321232	2 X 3/4 X 2	2.45	2.13	1.84	2.13
106-321632	2 X 1 X 2	2.25	2.13	2.06	2.13
106-322416	2 X 1-1/2 X 1	1.95	1.78	1.72	2.03
106-322420	2 X 1-1/2 X 1-1/4	2.20	1.78	1.72	2.03
106-322424	2 X 1-1/2 X 1-1/2	2.00	1.89	1.84	2.07
106-322432	2 X 1-1/2 X 2	2.35	2.12	2.07	2.12
106-323208	2 X 2 X 1/2	1.70	1.50	1.50	1.88
106-323212	2 X 2 X 3/4	1.65	1.47	1.47	1.84
106-323216	2 X 2 X 1	1.75	1.59	1.59	1.95
106-323220	2 X 2 X 1-1/4	1.95	1.77	1.77	2.04
106-323224	2 X 2 X 1-1/2	2.10	1.89	1.89	2.07
106-323240	2 X 2 X 2-1/2	3.75	2.60	2.60	2.39
106-402440	2-1/2 X 1-1/2 X 2-1/2	4.25	2.06	2.50	2.69
106-403232	2-1/2 X 2 X 2	3.80	2.39	2.25	2.60
106-403240	2-1/2 X 2 X 2-1/2	4.45	2.69	2.63	2.69
106-404016	2-1/2 X 2-1/2 X 1	2.85	1.88	1.88	2.38
106-404020	2-1/2 X 2-1/2 X 1-1/4	3.70	2.06	2.06	2.44
106-404024	2-1/2 X 2-1/2 X 1-1/2	4.00	2.16	2.16	2.50
106-404032	2-1/2 X 2-1/2 X 2	4.40	2.39	2.39	2.60
106-483232	3 X 2 X 2	4.85	2.50	2.25	2.88
106-483248	3 X 2 X 3	5.95	3.06	2.88	3.06
106-484040	3 X 2-1/2 X 2-1/2	6.00	2.81	2.69	3.00
106-484816	3 X 3 X 1	4.75	2.00	2.00	2.66
106-484832	3 X 3 X 2	5.55	2.52	2.52	2.89
106-484840	3 X 3 X 2-1/2	6.60	2.83	2.83	2.99
106-646432	4 X 4 X 2	9.25	2.75	2.75	3.41



**⚠️WARNING: This product can expose you to Lead, which is known to the State of California to cause cancer and birth defects or other reproductive harm. For more information go to www.P65Warnings.ca.gov. Leaded product is not for use in potable water.

**MERIT
BRASS**

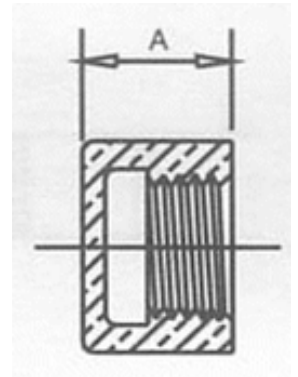
DIRECTING THE FLOW OF *Quality*

DIMENSIONAL SPECIFICATIONS

LEADED DOMESTIC BRASS FITTINGS** 125 LB.

CAP

Part #	Size (IN.)	Approx. Net WT. (LB.)	A
116-02	1/8	0.04	0.49
116-04	1/4	0.07	0.59
116-06	3/8	0.10	0.66
116-08	1/2	0.12	0.78
116-12	3/4	0.21	0.84
116-16	1	0.30	1.00
116-20	1-1/4	0.45	1.13
116-24	1-1/2	0.65	1.16
116-32	2	1.10	1.34
116-40	2-1/2	1.95	1.72
116-48	3	3.04	1.81
116-56	3-1/2	4.00	1.91
116-64	4	5.55	2.09



 **WARNING: This product can expose you to Lead, which is known to the State of California to cause cancer and birth defects or other reproductive harm. For more information go to www.P65Warnings.ca.gov. Leaded product is not for use in potable water.

**MERIT
BRASS**

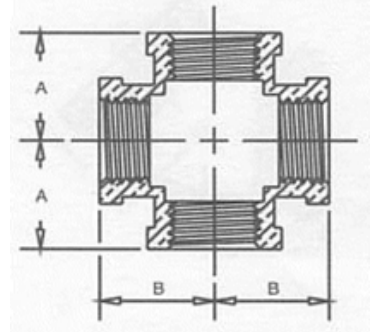
DIRECTING THE FLOW OF *Quality*

DIMENSIONAL SPECIFICATIONS

LEADED DOMESTIC BRASS FITTINGS** 125 LB.

CROSS

Part #	Size (IN.)	Approx. Net WT. (LB.)	A	B
110-02	1/8	0.10	0.54	0.54
110-04	1/4	0.21	0.71	0.71
110-06	3/8	0.25	0.82	0.82
110-08	1/2	0.35	1.01	1.01
110-12	3/4	0.55	1.18	1.18
110-16	1	0.95	1.43	1.43
110-20	1-1/4	1.40	1.69	1.69
110-24	1-1/2	1.95	1.84	1.84
110-32	2	1.90	2.12	2.12
110-48	3	7.75	3.08	3.08
110-64	4	14.85	3.79	3.79



**▲WARNING: This product can expose you to Lead, which is known to the State of California to cause cancer and birth defects or other reproductive harm. For more information go to www.P65Warnings.ca.gov. Leaded product is not for use in potable water.

**MERIT
BRASS**

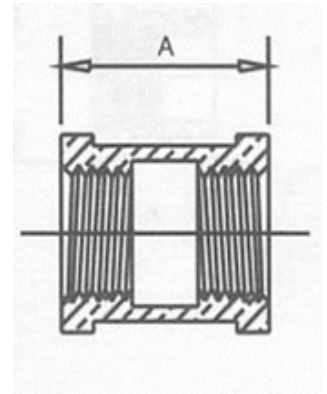
DIRECTING THE FLOW OF *Quality*

DIMENSIONAL SPECIFICATIONS

LEADED DOMESTIC BRASS FITTINGS** 125 LB.

COUPLING

Part #	Size (IN.)	Approx. Net WT. (LB.)	A
111-02	1/8	0.06	0.80
111-04	1/4	0.08	0.80
111-06	3/8	0.12	1.05
111-08	1/2	0.25	1.29
111-12	3/4	0.30	1.43
111-16	1	0.45	1.68
111-20	1-1/4	0.65	1.86
111-24	1-1/2	0.90	1.92
111-32	2	1.35	2.20
111-40	2-1/2	2.30	2.88
111-48	3	3.20	3.18
111-56	3-1/2	5.20	3.38
111-64	4	7.03	3.69
111-80	5	11.65	4.19
111-96	6	15.25	4.75



**▲WARNING: This product can expose you to Lead, which is known to the State of California to cause cancer and birth defects or other reproductive harm. For more information go to www.P65Warnings.ca.gov. Leaded product is not for use in potable water.

**MERIT
BRASS**

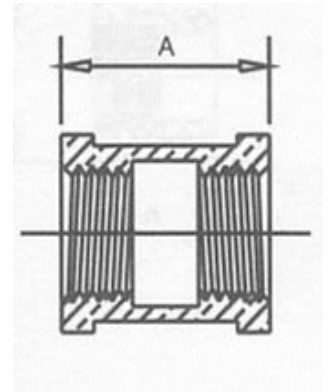
DIRECTING THE FLOW OF *Quality*

DIMENSIONAL SPECIFICATIONS

LEADED DOMESTIC BRASS FITTINGS** 125 LB.

REDUCING COUPLING

Part #	Size (IN.)	Approx. Net WT. (LB.)	A
112-0604	3/8 X 1/4	0.10	0.92
112-0806	1/2 X 3/8	0.16	1.17
112-1206	3/4 X 3/8	0.25	1.35
112-1208	3/4 X 1/2	0.25	1.35
112-1612	1 X 3/4	0.35	1.56
112-2012	1-1/4 X 3/4	0.50	1.77
112-2408	1-1/2 X 1/2	0.60	1.80
112-2412	1-1/2 X 3/4	0.65	1.80
112-2416	1-1/2 X 1	0.60	1.80
112-2420	1-1/2 X 1-1/4	0.75	1.80
112-3216	2 X 1	1.00	2.03
112-3220	2 X 1-1/4	1.05	2.03
112-4024	2-1/2 X 1-1/2	2.25	3.25
112-4032	2-1/2 X 2	1.65	3.25
112-4832	3 X 2	2.70	3.69
112-4840	3 X 2-1/2	2.95	3.69
112-6432	4 X 2	6.15	4.38
112-6448	4 X 3	5.95	4.38
112-9664	6 X 4	16.25	4.75



**▲WARNING: This product can expose you to Lead, which is known to the State of California to cause cancer and birth defects or other reproductive harm. For more information go to www.P65Warnings.ca.gov. Leaded product is not for use in potable water.

**MERIT
BRASS**

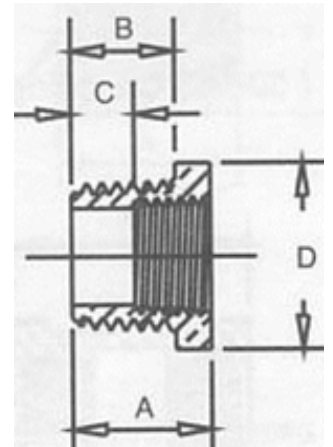
DIRECTING THE FLOW OF *Quality*

DIMENSIONAL SPECIFICATIONS

LEADED DOMESTIC BRASS FITTINGS** 125 LB.

HEX BUSHING

Part #	Size (IN.)	Approx. Net WT. (LB.)	A	B	C	D
114-0802	1/2 X 1/8	0.08	0.75	0.56	0.50	0.88
114-0804	1/2 X 1/4	0.10	0.75	0.56	0.43	0.88
114-0806	1/2 X 3/8	0.06	0.75	0.56	0.34	0.88
114-1202	3/4 X 1/8	0.15	0.88	0.63	0.25	1.16
114-1204	3/4 X 1/4	0.15	0.85	0.63	0.53	1.16
114-1206	3/4 X 3/8	0.14	0.85	0.63	0.49	1.16
114-1208	3/4 X 1/2	0.11	0.85	0.63	0.32	1.16
114-1602	1 X 1/8	0.25	1.06	0.75	0.75	1.44
114-1604	1 X 1/4	0.25	1.05	0.75	0.73	1.44
114-1606	1 X 3/8	0.25	1.05	0.75	0.69	1.13
114-1608	1 X 1/2	0.25	1.00	0.75	0.57	1.13
114-1612	1 X 3/4	0.19	1.00	0.75	0.50	1.13
114-2006	1-1/4 X 3/8	0.40	1.16	0.81	0.78	1.13
114-2008	1-1/4 X 1/2	0.40	1.14	0.80	0.71	1.34
114-2016	1-1/4 X 1	0.30	1.08	0.80	0.47	1.78
114-2406	1-1/2 X 3/8	0.50	1.14	0.81	0.57	1.78



NOTE: Bushings reducing to pipe sizes smaller than given are bushed from the smallest reduction appearing in the table.

****⚠️WARNING:** This product can expose you to Lead, which is known to the State of California to cause cancer and birth defects or other reproductive harm. For more information go to www.P65Warnings.ca.gov. Leaded product is not for use in potable water.

MERIT BRASS

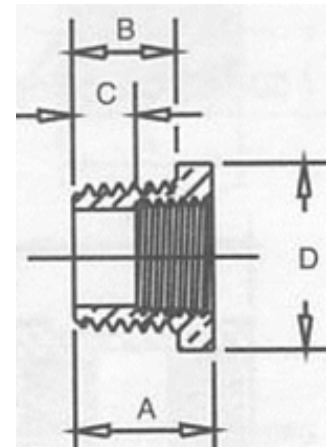
DIRECTING THE FLOW OF *Quality*

DIMENSIONAL SPECIFICATIONS

LEADED DOMESTIC BRASS FITTINGS** 125 LB.

HEX BUSHING CONTINUED

Part #	Size (IN.)	Approx. Net WT. (LB.)	A	B	C	D
114-2412	1-1/2 X 3/4	0.50	1.20	0.83	0.70	1.63
114-2416	1-1/2 X 1	0.45	1.14	0.83	0.56	2.00
114-2420	1-1/2 X 1-1/4	0.35	1.14	0.83	0.43	2.00
114-3204	2 X 1/4	1.10	1.25	0.25	0.73	2.38
114-3208	2 X 1/2	1.00	1.31	0.88	0.88	1.34
114-3212	2 X 3/4	0.95	1.31	0.88	0.81	1.63
114-3216	2 X 1	0.77	1.36	0.91	0.78	1.96
114-3220	2 X 1-1/4	0.75	1.22	0.88	0.55	2.50
114-3224	2 X 1-1/2	0.65	1.22	0.88	0.52	2.50
114-4016	2-1/2 X 1	1.45	1.53	1.09	0.94	1.97
114-4020	2-1/2 X 1-1/4	1.10	1.53	1.09	0.84	2.97
114-4032	2-1/2 X 2	1.15	1.44	1.07	0.69	2.41
114-4816	3 X 1	1.95	1.63	1.13	1.03	3.50
114-4820	3 X 1-1/4	1.75	1.63	1.13	0.94	3.50
114-4824	3 X 1-1/2	1.55	1.63	1.13	0.91	3.50
114-4832	3 X 2	1.65	1.61	1.13	0.86	3.50
114-4840	3 X 2-1/2	1.80	1.53	1.13	0.61	3.88



NOTE: Bushings reducing to pipe sizes smaller than given are bushed from the smallest reduction appearing in the table.

**▲WARNING: This product can expose you to Lead, which is known to the State of California to cause cancer and birth defects or other reproductive harm. For more information go to www.P65Warnings.ca.gov. Leaded product is not for use in potable water.

**MERIT
BRASS**

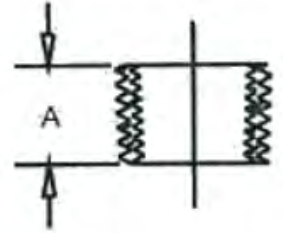
DIRECTING THE FLOW OF *Quality*

DIMENSIONAL SPECIFICATIONS

LEADED DOMESTIC BRASS FITTINGS** 125 LB.

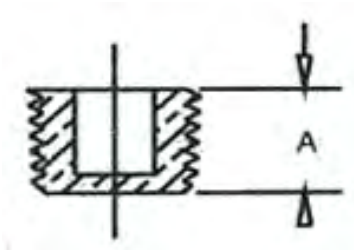
FACE BUSHING

Part #	Size (IN.)	Approx. Net WT. (LB.)	A
115-1204	3/4 X 1/4	0.11	0.63
115-1608	1 X 1/2	0.17	0.75



SQUARE COUNTERSUNK PLUG

Part #	Size (IN.)	Approx. Net WT. (LB.)	A
118-06	3/8	0.03	0.41
118-08	1/2	0.06	0.54
118-12	3/4	0.11	0.55
118-16	1	0.23	0.69
118-20	1-1/4	0.30	0.71
118-24	1-1/2	0.45	0.73
118-32	2	0.80	0.76
118-40	2-1/2	1.55	1.07
118-48	3	2.60	1.13
118-64	4	4.35	1.22



**⚠️WARNING: This product can expose you to Lead, which is known to the State of California to cause cancer and birth defects or other reproductive harm. For more information go to www.P65Warnings.ca.gov. Leaded product is not for use in potable water.

MERIT BRASS

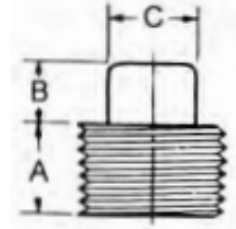
DIRECTING THE FLOW OF *Quality*

DIMENSIONAL SPECIFICATIONS

LEADED DOMESTIC BRASS FITTINGS** 125 LB.

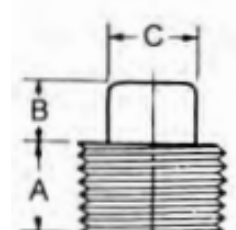
SQUARE HEAD CORED PLUG

Part #	Size (IN.)	Approx. Net WT. (LB.)	A	B	C
117-08	1/2	0.11	0.54	0.38	0.56
117-12	3/4	0.15	0.55	0.44	0.63
117-16	1	0.26	0.69	0.50	0.81
117-20	1-1/4	0.35	0.71	0.56	0.94
117-24	1-1/2	0.45	0.73	0.62	1.13
117-32	2	0.60	0.76	0.68	1.31
117-40	2-1/2	1.10	1.07	0.74	1.50
117-48	3	1.95	1.13	0.80	1.69
117-64	4	3.30	1.22	0.92	2.25



SQUARE HEAD SOLID PLUG

Part #	Size (IN.)	Approx. Net WT. (LB.)	A	B	C
117A-06	3/8	0.06	0.41	0.31	0.44
117A-08	1/2	0.12	0.54	0.38	0.56
117A-12	3/4	0.20	0.55	0.44	0.63
117A-16	1	0.25	0.69	0.50	0.81
117A-20	1-1/4	0.50	0.71	0.56	0.94
117A-24	1-1/2	0.75	0.73	0.62	1.13
117A-32	2	1.05	0.76	0.68	1.31
117A-40	2-1/2	2.40	1.07	0.74	1.50
117A-48	3	3.80	1.13	0.80	1.69
117A-64	4	6.85	1.22	0.92	2.25



**▲WARNING: This product can expose you to Lead, which is known to the State of California to cause cancer and birth defects or other reproductive harm. For more information go to www.P65Warnings.ca.gov. Leaded product is not for use in potable water.

MERIT
BRASS

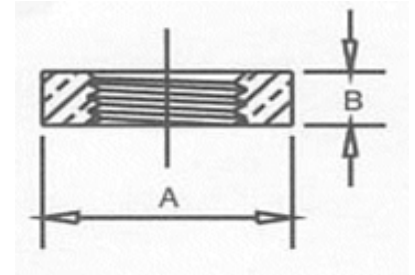
DIRECTING THE FLOW OF *Quality*

DIMENSIONAL SPECIFICATIONS

LEADED DOMESTIC BRASS FITTINGS** 125 LB.

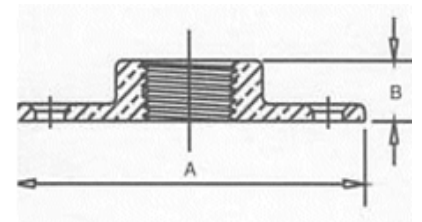
HEX LOCKNUT

Part #	Size (IN.)	Approx. Net WT. (LB.)	A	B
119-02	1/8	0.02	0.88	0.25
119-04	1/4	0.03	0.88	0.25
119-06	3/8	0.04	1.00	0.28
119-08	1/2	0.07	1.28	0.31
119-12	3/4	0.09	1.50	0.28
119-16	1	0.12	1.75	0.34
119-20	1-1/4	0.30	2.09	0.38
119-24	1-1/2	0.35	2.44	0.41
119-32	2	0.60	2.94	0.47
119-40	2-1/2	1.15	3.50	0.56
119-48	3	1.70	4.25	0.63
119-64	4	3.20	5.38	0.81



FLOOR FLANGE

Part #	Size (IN.)	Approx. Net WT. (LB.)	A	B
240-02	1/8	0.16	2.31	0.30
240-04	1/4	0.19	2.47	0.38
240-06	3/8	0.23	2.69	0.47
240-08	1/2	0.30	3.52	0.55
240-12	3/4	0.50	3.52	0.62
240-16	1	0.85	4.02	0.70
240-20	1 1/4	1.00	4.02	0.76
240-24	1 1/2	1.25	4.53	0.89
240-32	2	2.10	5.54	1.00



**▲WARNING: This product can expose you to Lead, which is known to the State of California to cause cancer and birth defects or other reproductive harm. For more information go to www.P65Warnings.ca.gov. Leaded product is not for use in potable water.

**MERIT
BRASS**

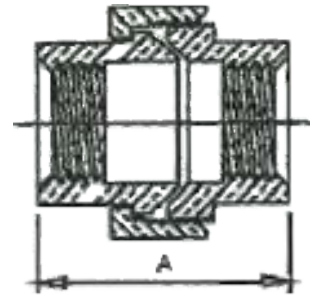
DIRECTING THE FLOW OF *Quality*

DIMENSIONAL SPECIFICATIONS

LEADED DOMESTIC BRASS FITTINGS** 125 LB.

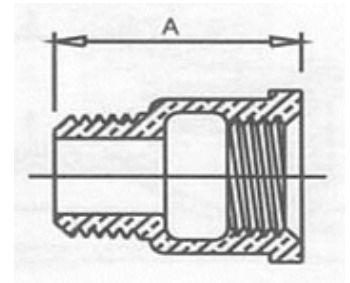
UNION

Part #	Size (IN.)	Approx. Net WT. (LB.)	A
187-04	1/4	0.20	1.25
187-06	3/8	0.30	1.48
187-08	1/2	0.45	1.56
187-12	3/4	0.62	1.87
187-16	1	0.85	2.11
187-20	1-1/4	1.40	2.34
187-24	1-1/2	1.75	2.65
187-32	2	2.75	2.96



EXTENSION PIECE

Part #	Size (IN.)	Approx. Net WT. (LB.)	A
232-06	3/8	0.10	1.03
232-08	1/2	0.19	1.47
232-12	3/4	0.26	1.81
232-16	1	0.45	2.19
232-20	1-1/4	0.65	2.06
232-24	1-1/2	0.75	2.09
232-32	2	1.15	2.31



**⚠️WARNING: This product can expose you to Lead, which is known to the State of California to cause cancer and birth defects or other reproductive harm. For more information go to www.P65Warnings.ca.gov. Leaded product is not for use in potable water.

**MERIT
BRASS**

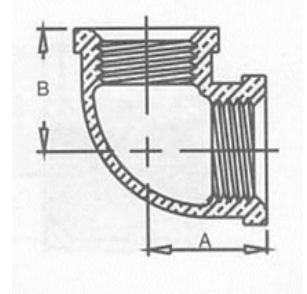
DIRECTING THE FLOW OF *Quality*

DIMENSIONAL SPECIFICATIONS

LEAD-FREE DOMESTIC BRASS FITTINGS* 125 LB.

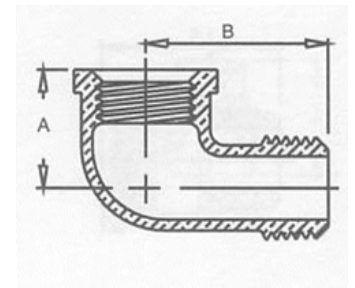
90 DEGREE ELBOW

Part #	Size (IN.)	Approx. Net WT. (LB.)	A	B
NL101-02	1/8	0.06	0.54	0.54
NL101-04	1/4	0.08	0.71	0.71
NL101-06	3/8	0.16	0.82	0.82
NL101-08	1/2	0.24	1.01	1.01
NL101-12	3/4	0.35	1.18	1.18
NL101-16	1	0.60	1.43	1.43
NL101-20	1-1/4	0.95	1.69	1.69
NL101-24	1-1/2	1.03	1.84	1.84
NL101-32	2	1.95	2.12	2.12
NL101-40	2-1/2	3.45	2.70	2.70
NL101-48	3	5.40	3.08	3.08
NL101-64	4	9.25	3.79	3.79
NL101-96	6	24.22	5.13	5.13



90 DEGREE STREET ELBOW

Part #	Size (IN.)	Approx. Net WT. (LB.)	A	B
NL103-02	1/8	0.06	0.55	0.92
NL103-04	1/4	0.11	0.72	1.11
NL103-06	3/8	0.17	0.83	1.24
NL103-08	1/2	0.23	1.03	1.51
NL103-12	3/4	0.35	1.19	1.66
NL103-16	1	0.50	1.43	1.98
NL103-20	1-1/4	0.85	1.71	2.26
NL103-24	1-1/2	1.15	1.87	2.46
NL103-32	2	1.98	2.14	2.98
NL103-40	2-1/2	3.15	2.74	3.92
NL103-48	3	5.26	3.10	4.45



*Conforms with lead content requirements for lead-free plumbing as defined by the U.S. Safe Drinking Water Act. Certified <0.25 weighted average % lead.



MERIT BRASS

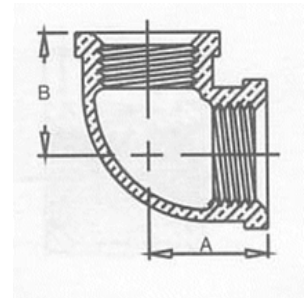
DIRECTING THE FLOW OF *Quality*

DIMENSIONAL SPECIFICATIONS

LEAD-FREE DOMESTIC BRASS FITTINGS* 125 LB.

90 DEGREE REDUCING ELBOW

Part #	Size (IN.)	Approx. Net WT. (LB.)	A	B
NL101-0402	1/4 X 1/8	0.09	0.65	0.60
NL101-0602	3/8 X 1/8	0.14	0.67	1.00
NL101-0604	3/8 X 1/4	0.13	0.75	0.75
NL101-0804	1/2 X 1/4	0.17	1.78	1.69
NL101-0806	1/2 X 3/8	0.18	0.93	0.90
NL101-1204	3/4 X 1/4	0.30	1.00	1.00
NL101-1206	3/4 X 3/8	0.25	0.97	0.97
NL101-1208	3/4 X 1/2	0.31	1.08	1.11
NL101-1608	1 X 1/2	0.45	1.20	1.24
NL101-1612	1 X 3/4	0.50	1.30	1.31
NL101-2008	1-1/4 X 1/2	0.70	1.25	1.38
NL101-2412	1-1/4 X 3/4	0.88	1.30	1.31
NL101-2016	1-1/4 X 1	0.82	1.52	1.60
NL101-2416	1-1/2 X 1	0.96	1.55	1.72
NL101-2420	1-1/2 X 1-1/4	1.00	1.72	1.81
NL101-3208	2 X 1/2	1.25	1.17	2.92
NL101-3216	2 X 1	1.60	1.56	1.94
NL101-3224	2 X 1-1/2	1.78	1.89	2.07
NL101-4024	2-1/2 X 1-1/2	3.28	2.19	2.50
NL101-4032	2-1/2 X 2	3.02	2.39	2.60



*Conforms with lead content requirements for lead-free plumbing as defined by the U.S. Safe Drinking Water Act. Certified <0.25 weighted average % lead.



MERIT BRASS

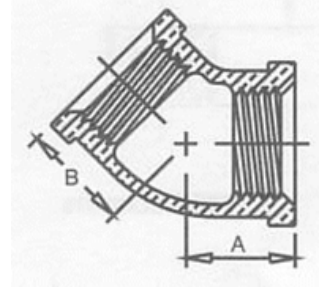
DIRECTING THE FLOW OF *Quality*

DIMENSIONAL SPECIFICATIONS

LEAD-FREE DOMESTIC BRASS FITTINGS* 125 LB.

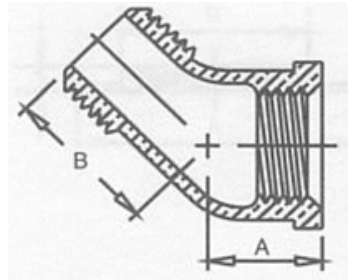
45 DEGREE ELBOW

Part #	Size (IN.)	Approx. Net WT. (LB.)	A	B
NL102-02	1/8	0.05	0.43	0.43
NL102-04	1/4	0.09	0.55	0.55
NL102-06	3/8	1.14	0.63	0.63
NL102-08	1/2	0.19	0.79	0.79
NL102-12	3/4	0.30	0.91	0.91
NL102-16	1	0.50	1.07	1.07
NL102-20	1-1/4	0.75	1.23	1.23
NL102-24	1-1/2	0.95	1.31	1.31
NL102-32	2	1.70	1.47	1.47
NL102-40	2-1/2	2.79	1.89	1.89



45 DEGREE STREET ELBOW

Part #	Size (IN.)	Approx. Net WT. (LB.)	A	B
NL103A-04	1/4	0.08	0.56	0.88
NL103A-06	3/8	0.12	0.63	0.92
NL103A-08	1/2	0.17	0.78	1.06
NL103A-12	3/4	0.29	0.89	1.23
NL103A-16	1	0.49	1.06	1.40
NL103A-20	1-1/4	0.70	1.22	1.64
NL103A-24	1-1/2	0.92	1.30	1.80
NL103A-32	2	1.37	1.45	2.14



*Conforms with lead content requirements for lead-free plumbing as defined by the U.S. Safe Drinking Water Act. Certified <0.25 weighted average % lead.



MERIT BRASS

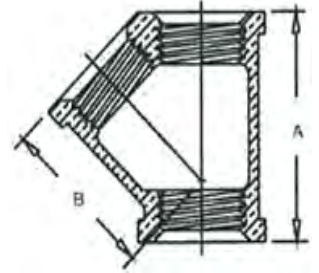
DIRECTING THE FLOW OF *Quality*

DIMENSIONAL SPECIFICATIONS

LEAD-FREE DOMESTIC BRASS FITTINGS* 125 LB.

45 DEGREE Y-BRANCH

Part #	Size (IN.)	Approx. Net WT. (LB.)	A	B
NL122-06	3/8	0.28	1.78	1.28
NL122-08	1/2	0.29	2.19	1.58
NL122-12	3/4	0.62	2.62	1.90
NL122-16	1	0.97	3.18	2.33
NL122-20	1-1/4	1.63	3.85	2.83
NL122-24	1-1/2	1.96	4.24	3.14
NL122-32	2	3.25	5.00	3.76
NL122-40	2-1/2	6.39	6.25	4.75
NL122-48	3	10.19	7.25	5.56



*Conforms with lead content requirements for lead-free plumbing as defined by the U.S. Safe Drinking Water Act. Certified <0.25 weighted average % lead.



MERIT BRASS

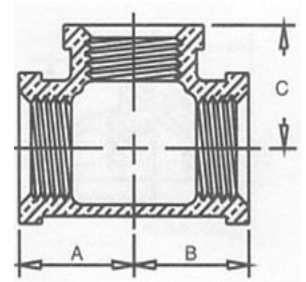
DIRECTING THE FLOW OF *Quality*

DIMENSIONAL SPECIFICATIONS

LEAD-FREE DOMESTIC BRASS FITTINGS* 125 LB.

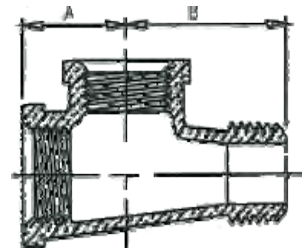
TEE

Part #	Size (IN.)	Approx. Net WT. (LB.)	A	B	C
NL106-02	1/8	0.07	0.54	0.54	0.54
NL106-04	1/4	0.14	0.71	0.71	0.71
NL106-06	3/8	0.21	0.82	0.82	0.82
NL106-08	1/2	0.30	1.01	1.01	1.01
NL106-12	3/4	0.50	1.18	1.18	1.18
NL106-16	1	0.80	1.43	1.43	1.43
NL106-20	1-1/4	1.47	1.69	1.69	1.69
NL106-24	1-1/2	1.50	1.84	1.84	1.84
NL106-32	2	2.25	2.12	2.12	2.12
NL106-40	2-1/2	4.56	2.70	2.70	2.70
NL106-48	3	6.70	3.08	3.08	3.08
NL106-64	4	11.03	3.79	3.79	3.79



STREET TEE

Part #	Size (IN.)	Approx. Net WT. (LB.)	A	B
NL106A-08	1/2	0.27	2.19	1.59
NL106A-32	2	3.20	2.13	2.88



*Conforms with lead content requirements for lead-free plumbing as defined by the U.S. Safe Drinking Water Act. Certified <0.25 weighted average % lead.



MERIT BRASS

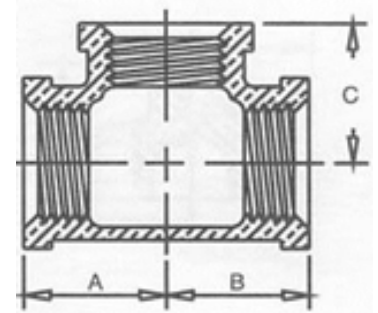
DIRECTING THE FLOW OF *Quality*

DIMENSIONAL SPECIFICATIONS

LEAD-FREE DOMESTIC BRASS FITTINGS* 125 LB.

REDUCING TEE

Part #	Size (IN.)	Approx. Net WT. (LB.)	A	B	C
NL106-060604	3/8 X 3/8 X 1/4	0.17	0.75	0.75	0.78
NL106-060608	3/8 X 3/8 X 1/2	0.24	0.90	0.90	0.93
NL106-080408	1/2 X 1/4 X 1/2	0.27	0.93	0.87	0.93
NL106-080606	1/2 X 3/8 X 3/8	0.25	0.93	0.82	0.90
NL106-080608	1/2 X 3/8 X 1/2	0.25	1.01	0.90	1.01
NL106-080806	1/2 X 1/2 X 3/8	0.25	0.93	0.93	0.90
NL106-080812	1/2 X 1/2 X 3/4	0.38	1.11	1.11	1.08
NL106-120808	3/4 X 1/2 X 1/2	0.42	1.08	1.01	1.11
NL106-120812	3/4 X 1/2 X 3/4	0.42	1.18	1.11	1.18
NL106-121204	3/4 X 3/4 X 1/4	0.35	1.00	1.00	1.00
NL106-121208	3/4 X 3/4 X 1/2	0.40	1.08	1.08	1.11
NL106-121216	3/4 X 3/4 X 1	0.60	1.31	1.31	1.30
NL106-160816	1 X 1/2 X 1	0.61	1.43	1.24	1.43
NL106-161208	1 X 3/4 X 1/2	0.46	1.20	1.08	1.24
NL106-161212	1 X 3/4 X 3/4	0.58	1.30	1.08	1.31
NL106-161216	1 X 3/4 X 1	0.71	1.43	1.31	1.43
NL106-161606	1 X 1 X 3/8	0.56	1.12	1.12	1.13
NL106-161608	1 X 1 X 1/2	0.63	1.20	1.20	1.24
NL106-161612	1 X 1 X 3/4	0.72	1.30	1.30	1.31
NL106-202008	1-1/4 X 1-1/4 X 1/2	0.92	1.29	1.29	1.41
NL106-202012	1-1/4 X 1-1/4 X 3/4	0.91	1.39	1.39	1.48
NL106-202016	1-1/4 X 1-1/4 X 1	1.10	1.52	1.52	1.60



*Conforms with lead content requirements for lead-free plumbing as defined by the U.S. Safe Drinking Water Act. Certified <0.25 weighted average % lead.



MERIT BRASS

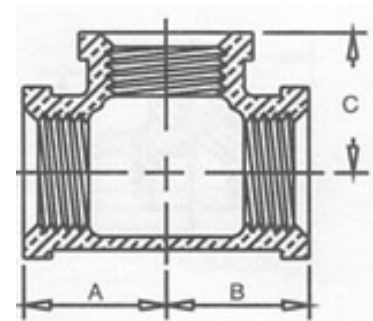
DIRECTING THE FLOW OF *Quality*

DIMENSIONAL SPECIFICATIONS

LEAD-FREE DOMESTIC BRASS FITTINGS* 125 LB.

REDUCING TEE CONTINUED

Part #	Size (IN.)	Approx. Net WT. (LB.)	A	B	C
NL106-202024	1-1/4 X 1-1/4 X 1-1/2	1.74	1.81	1.81	1.72
NL106-240824	1-1/2 X 1/2 X 1-1/2	1.51	1.81	1.56	1.81
NL106-241224	1-1/2 X 3/4 X 1-1/2	1.35	1.84	1.60	1.84
NL106-241616	1-1/2 X 1 X 1	1.10	1.63	1.50	1.81
NL106-241624	1-1/2 X 1 X 1-1/2	1.47	1.88	1.81	1.88
NL106-242408	1-1/2 X 1-1/2 X 1/2	1.17	1.32	1.32	1.53
NL106-242412	1-1/2 X 1-1/2 X 3/4	1.14	1.42	1.42	1.60
NL106-242416	1-1/2 X 1-1/2 X 1	1.35	1.55	1.55	1.72
NL106-242420	1-1/2 X 1-1/2 X 1-1/4	1.45	1.72	1.72	1.81
NL106-242432	1-1/2 X 1-1/2 X 2	2.15	2.07	2.07	1.89
NL106-321232	2 X 3/4 X 2	2.56	2.13	1.84	2.13
NL106-322420	2 X 1-1/2 X 1-1/4	1.79	1.78	1.72	2.03
NL106-323208	2 X 2 X 1/2	1.67	1.50	1.50	1.88
NL106-323212	2 X 2 X 3/4	1.70	1.47	1.47	1.84
NL106-323216	2 X 2 X 1	1.83	1.59	1.59	1.95
NL106-323220	2 X 2 X 1-1/4	2.07	1.77	1.77	2.04
NL106-323224	2 X 2 X 1-1/2	2.18	1.89	1.89	2.07
NL106-403240	2-1/2 X 2 X 2-1/2	4.18	2.69	2.63	2.69
NL106-404016	2-1/2 X 2-1/2 X 1	2.98	1.88	1.88	2.38
NL106-404032	2-1/2 X 2-1/2 X 2	3.91	2.39	2.39	2.60
NL106-484832	3 X 3 X 2	5.61	2.52	2.52	2.89



*Conforms with lead content requirements for lead-free plumbing as defined by the U.S. Safe Drinking Water Act. Certified <0.25 weighted average % lead.



MERIT BRASS

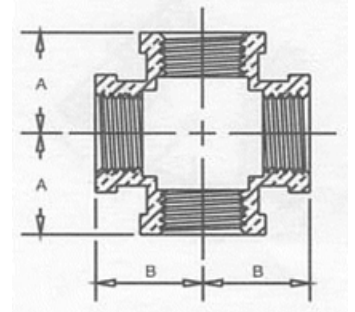
DIRECTING THE FLOW OF *Quality*

DIMENSIONAL SPECIFICATIONS

LEAD-FREE DOMESTIC BRASS FITTINGS* 125 LB.

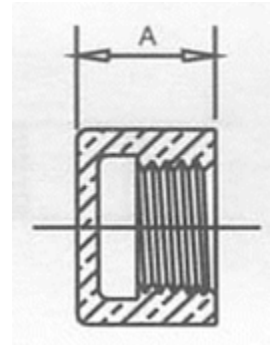
CROSS

Part #	Size (IN.)	Approx. Net WT. (LB.)	A	B
NL110-04	1/4	0.16	0.71	0.71
NL110-06	3/8	0.23	0.82	0.82
NL110-08	1/2	0.34	1.01	1.01
NL110-12	3/4	0.55	1.18	1.18
NL110-16	1	0.95	1.43	1.43
NL110-20	1-1/4	1.94	1.69	1.69
NL110-24	1-1/2	2.95	1.84	1.84
NL110-32	2	7.84	2.12	2.12



CAP

Part #	Size (IN.)	Approx. Net WT. (LB.)	A
NL116-02	1/8	0.04	0.49
NL116-04	1/4	0.07	0.59
NL116-06	3/8	0.10	0.66
NL116-08	1/2	0.12	0.78
NL116-12	3/4	0.21	0.84
NL116-16	1	0.30	1.00
NL116-20	1-1/4	0.45	1.13
NL116-24	1-1/2	0.65	1.16
NL116-32	2	1.10	1.34
NL116-40	2-1/2	1.79	1.72
NL116-48	3	1.78	1.81
NL116-64	4	5.59	2.09



*Conforms with lead content requirements for lead-free plumbing as defined by the U.S. Safe Drinking Water Act. Certified <0.25 weighted average % lead.



MERIT BRASS

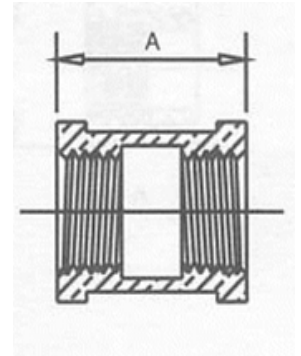
DIRECTING THE FLOW OF *Quality*

DIMENSIONAL SPECIFICATIONS

LEAD-FREE DOMESTIC BRASS FITTINGS* 125 LB.

COUPLING

Part #	Size (IN.)	Approx. Net WT. (LB.)	A
NL111-02	1/8	0.06	0.80
NL111-04	1/4	0.08	0.80
NL111-06	3/8	0.12	1.05
NL111-08	1/2	0.25	1.29
NL111-12	3/4	0.30	1.43
NL111-16	1	0.45	1.68
NL111-20	1-1/4	0.65	1.86
NL111-24	1-1/2	0.90	1.92
NL111-32	2	1.35	2.20
NL111-40	2-1/2	2.40	2.88
NL111-48	3	3.45	3.18
NL111-64	4	5.03	3.69



*Conforms with lead content requirements for lead-free plumbing as defined by the U.S. Safe Drinking Water Act. Certified <0.25 weighted average % lead.



MERIT BRASS

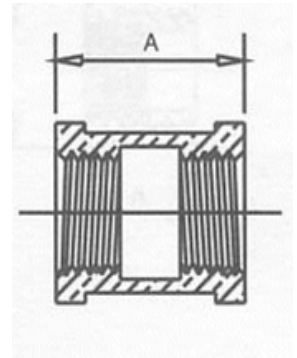
DIRECTING THE FLOW OF *Quality*

DIMENSIONAL SPECIFICATIONS

LEAD-FREE DOMESTIC BRASS FITTINGS* 125 LB.

REDUCING COUPLING

Part #	Size (IN.)	Approx. Net WT. (LB.)	A
NL112-0604	3/8 X 1/4	0.09	0.92
NL112-0804	1/2 X 1/4	0.135	1.13
NL112-0806	1/2 X 3/8	0.16	1.17
NL112-1206	3/4 X 3/8	0.23	1.35
NL112-1208	3/4 X 1/2	0.25	1.35
NL112-1612	1 X 3/4	0.35	1.56
NL112-2012	1-1/4 X 3/4	0.62	1.77
NL112-2408	1-1/2 X 1/2	0.59	1.80
NL112-2412	1-1/2 X 3/4	0.65	1.80
NL112-2416	1-1/2 X 1	0.60	1.80
NL112-2420	1-1/2 X 1-1/4	0.75	1.80
NL112-3216	2 X 1	1.00	2.03
NL112-3220	2 X 1-1/4	1.05	2.03
NL112-3224	2 X 1-1/2	1.115	2.085
NL112-4032	2-1/2 X 2	1.71	3.25
NL112-4832	3 X 2	2.70	3.69
NL112-4840	3 X 2-1/2	3.33	3.69
NL112-6432	4 X 2	4.29	4.38



*Conforms with lead content requirements for lead-free plumbing as defined by the U.S. Safe Drinking Water Act. Certified <0.25 weighted average % lead.



MERIT BRASS

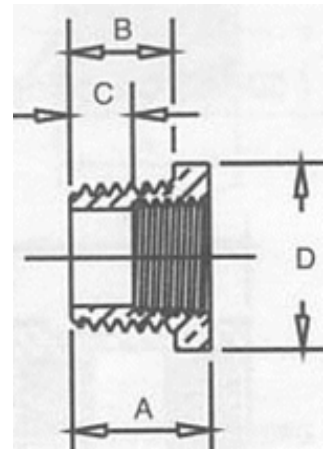
DIRECTING THE FLOW OF *Quality*

DIMENSIONAL SPECIFICATIONS

LEAD-FREE DOMESTIC BRASS FITTINGS* 125 LB.

HEX BUSHING

Part #	Size (IN.)	Approx. Net WT. (LB.)	A	B	C	D
NL114-0802	1/2 X 1/8	0.09	0.75	0.56	0.50	0.88
NL114-0804	1/2 X 1/4	0.10	0.75	0.56	0.43	0.88
NL114-0806	1/2 X 3/8	0.06	0.75	0.56	0.34	0.88
NL114-1202	3/4 X 1/8	0.14	0.88	0.63	0.25	1.16
NL114-1204	3/4 X 1/4	0.15	0.85	0.63	0.53	1.16
NL114-1206	3/4 X 3/8	0.14	0.85	0.63	0.49	1.16
NL114-1208	3/4 X 1/2	0.11	0.85	0.63	0.32	1.16
NL114-1602	1 X 1/8	0.22	1.06	0.75	0.75	1.44
NL114-1604	1 X 1/4	0.25	1.05	0.75	0.73	1.44
NL114-1606	1 X 3/8	0.20	1.05	0.75	0.69	1.13
NL114-1608	1 X 1/2	0.25	1.00	0.75	0.57	1.13
NL114-1612	1 X 3/4	0.19	1.00	0.75	0.50	1.13
NL114-2008	1-1/4 X 1/2	0.40	1.14	0.80	0.71	1.34
NL114-2012	1-1/4 X 3/4	0.43	1.1	0.80	0.64	1.76
NL114-2016	1-1/4 X 1	0.30	1.08	0.80	0.47	1.78
NL114-2412	1-1/2 X 3/4	0.50	1.20	0.83	0.70	1.63



NOTE: Bushings reducing to pipe sizes smaller than given are bushed from the smallest reduction appearing in the table.



*Conforms with lead content requirements for lead-free plumbing as defined by the U.S. Safe Drinking Water Act. Certified <0.25 weighted average % lead.

MERIT BRASS

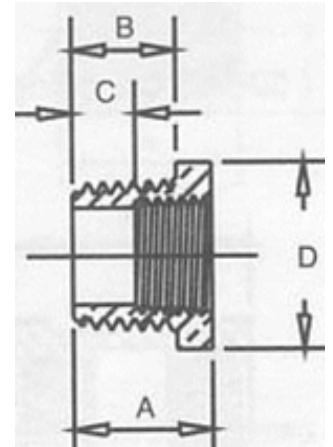
DIRECTING THE FLOW OF *Quality*

DIMENSIONAL SPECIFICATIONS

LEAD-FREE DOMESTIC BRASS FITTINGS* 125 LB.

HEX BUSHING CONTINUED

Part #	Size (IN.)	Approx. Net WT. (LB.)	A	B	C	D
NL114-2416	1-1/2 X 1	0.45	1.14	0.83	0.56	2.00
NL114-2420	1-1/2 X 1-1/4	0.35	1.14	0.83	0.43	2.00
NL114-3204	2 X 1/4	0.66	1.25	0.25	0.73	2.38
NL114-3208	2 X 1/2	1.00	1.31	0.88	0.88	1.34
NL114-3212	2 X 3/4	0.95	1.31	0.88	0.81	1.63
NL114-3216	2 X 1	0.77	1.36	0.91	0.78	1.96
NL114-3220	2 X 1-1/4	0.75	1.22	0.88	0.55	2.50
NL114-3224	2 X 1-1/2	0.65	1.22	0.88	0.52	2.50
NL114-4016	2-1/2 X 1	1.03	1.53	1.09	0.94	1.97
NL114-4020	2-1/2 X 1-1/4	1.07	1.53	1.09	0.84	2.97
NL114-4032	2-1/2 X 2	1.15	1.44	1.07	0.69	2.41
NL114-4816	3 X 1	1.97	1.63	1.13	1.03	3.50
NL114-4820	3 X 1-1/4	1.75	1.63	1.13	0.94	3.50
NL114-4824	3 X 1-1/2	1.52	1.63	1.13	0.91	3.50
NL114-4832	3 X 2	1.65	1.61	1.13	0.86	3.50
NL114-4840	3 X 2-1/2	1.70	1.53	1.13	0.61	3.88



NOTE: Bushings reducing to pipe sizes smaller than given are bushed from the smallest reduction appearing in the table.



*Conforms with lead content requirements for lead-free plumbing as defined by the U.S. Safe Drinking Water Act. Certified <0.25 weighted average % lead.

MERIT BRASS

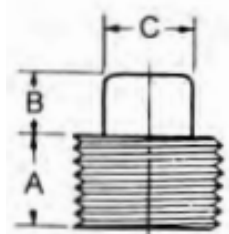
DIRECTING THE FLOW OF *Quality*

DIMENSIONAL SPECIFICATIONS

LEAD-FREE DOMESTIC BRASS FITTINGS* 125 LB.

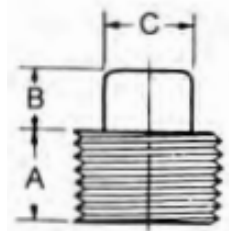
SQUARE HEAD CORED PLUG

Part #	Size (IN.)	Approx. Net WT. (LB.)	A	B	C
NL117-08	1/2	0.11	0.54	0.38	0.56
NL117-12	3/4	0.15	0.55	0.44	0.63
NL117-16	1	0.26	0.69	0.50	0.81
NL117-20	1-1/4	0.35	0.71	0.56	0.94
NL117-24	1-1/2	0.45	0.73	0.62	1.13
NL117-32	2	0.60	0.76	0.68	1.31
NL117-40	2-1/2	1.13	1.07	0.74	1.50
NL117-48	3	1.90	1.13	0.80	1.69
NL117-64	4	3.22	1.22	0.92	2.25



SQUARE HEAD SOLID PLUG

Part #	Size (IN.)	Approx. Net WT. (LB.)	A	B	C
NL117A-06	3/8	0.06	0.41	0.31	0.44
NL117A-08	1/2	0.12	0.54	0.38	0.56
NL117A-12	3/4	0.20	0.55	0.44	0.63
NL117A-16	1	0.25	0.69	0.50	0.81
NL117A-20	1-1/4	0.60	0.71	0.56	0.94
NL117A-24	1-1/2	0.76	0.73	0.62	1.13
NL117A-32	2	1.13	0.76	0.68	1.31
NL117A-40	2-1/2	2.26	1.07	0.74	1.50



*Conforms with lead content requirements for lead-free plumbing as defined by the U.S. Safe Drinking Water Act. Certified <0.25 weighted average % lead.



MERIT BRASS

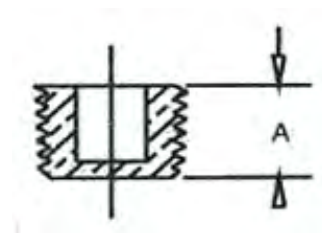
DIRECTING THE FLOW OF *Quality*

DIMENSIONAL SPECIFICATIONS

LEAD-FREE DOMESTIC BRASS FITTINGS* 125 LB.

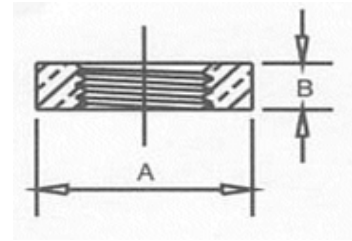
SQUARE COUNTERSUNK PLUG

Part #	Size (IN.)	Approx. Net WT. (LB.)	A
NL118-08	1/2	0.06	0.54
NL118-12	3/4	0.09	0.55
NL118-16	1	0.23	0.69
NL118-20	1-1/4	0.34	0.71
NL118-24	1-1/2	0.48	0.73
NL118-32	2	0.80	0.76
NL118-48	3	2.55	1.13



HEX LOCKNUT

Part #	Size (IN.)	Approx. Net WT. (LB.)	A	B
NL119-02	1/8	0.04	0.88	0.25
NL119-04	1/4	0.04	0.88	0.25
NL119-06	3/8	0.03	1.00	0.28
NL119-08	1/2	0.07	1.28	0.31
NL119-12	3/4	0.08	1.50	0.28
NL119-16	1	0.11	1.75	0.34
NL119-20	1-1/4	0.17	2.09	0.38
NL119-24	1-1/2	0.28	2.44	0.41
NL119-48	3	1.70	4.25	0.63



*Conforms with lead content requirements for lead-free plumbing as defined by the U.S. Safe Drinking Water Act. Certified <0.25 weighted average % lead.



MERIT BRASS

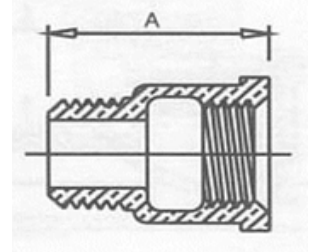
DIRECTING THE FLOW OF *Quality*

DIMENSIONAL SPECIFICATIONS

LEAD-FREE DOMESTIC BRASS FITTINGS* 125 LB.

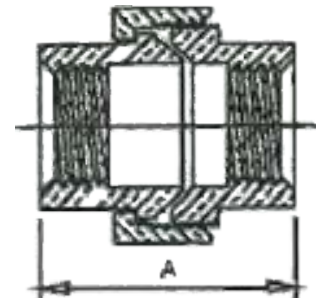
EXTENSION PIECE

Part #	Size (IN.)	Approx. Net WT. (LB.)	A
NL232-08	1/2	0.19	1.47
NL232-12	3/4	0.26	1.81
NL232-16	1	0.45	2.19



UNION

Part #	Size (IN.)	Approx. Net WT. (LB.)	A
NL187-04	1/4	0.20	1.25
NL187-06	3/8	0.30	1.48
NL187-08	1/2	0.45	1.56
NL187-12	3/4	0.62	1.87
NL187-16	1	0.85	2.11
NL187-20	1-1/4	1.40	2.34
NL187-24	1-1/2	1.75	2.65
NL187-32	2	2.75	2.96



*Conforms with lead content requirements for lead-free plumbing as defined by the U.S. Safe Drinking Water Act. Certified <0.25 weighted average % lead.



MERIT BRASS

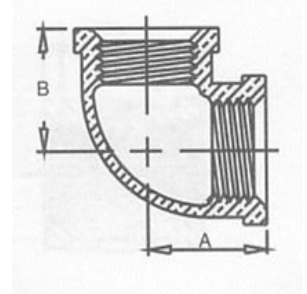
DIRECTING THE FLOW OF *Quality*

DIMENSIONAL SPECIFICATIONS

LEAD-FREE DOMESTIC BRASS FITTINGS* 125 LB.

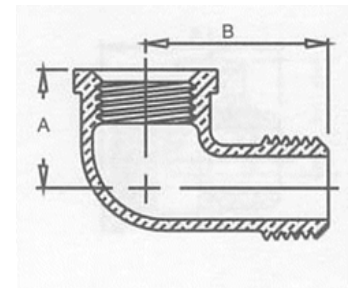
90 DEGREE ELBOW

Part #	Size (IN.)	Approx. Net WT. (LB.)	A	B
NL101-02	1/8	0.06	0.54	0.54
NL101-04	1/4	0.08	0.71	0.71
NL101-06	3/8	0.16	0.82	0.82
NL101-08	1/2	0.24	1.01	1.01
NL101-12	3/4	0.35	1.18	1.18
NL101-16	1	0.60	1.43	1.43
NL101-20	1-1/4	0.95	1.69	1.69
NL101-24	1-1/2	1.03	1.84	1.84
NL101-32	2	1.95	2.12	2.12
NL101-40	2-1/2	3.45	2.70	2.70
NL101-48	3	5.40	3.08	3.08
NL101-64	4	9.25	3.79	3.79
NL101-96	6	24.22	5.13	5.13



90 DEGREE STREET ELBOW

Part #	Size (IN.)	Approx. Net WT. (LB.)	A	B
NL103-02	1/8	0.06	0.55	0.92
NL103-04	1/4	0.11	0.72	1.11
NL103-06	3/8	0.17	0.83	1.24
NL103-08	1/2	0.23	1.03	1.51
NL103-12	3/4	0.35	1.19	1.66
NL103-16	1	0.50	1.43	1.98
NL103-20	1-1/4	0.85	1.71	2.26
NL103-24	1-1/2	1.15	1.87	2.46
NL103-32	2	1.98	2.14	2.98
NL103-40	2-1/2	3.15	2.74	3.92
NL103-48	3	5.26	3.10	4.45



*Conforms with lead content requirements for lead-free plumbing as defined by the U.S. Safe Drinking Water Act. Certified <0.25 weighted average % lead.



MERIT BRASS

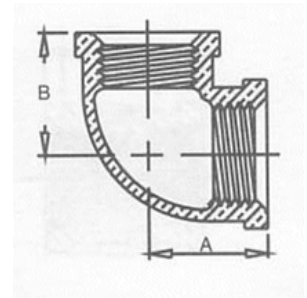
DIRECTING THE FLOW OF *Quality*

DIMENSIONAL SPECIFICATIONS

LEAD-FREE DOMESTIC BRASS FITTINGS* 125 LB.

90 DEGREE REDUCING ELBOW

Part #	Size (IN.)	Approx. Net WT. (LB.)	A	B
NL101-0402	1/4 X 1/8	0.09	0.65	0.60
NL101-0602	3/8 X 1/8	0.14	0.67	1.00
NL101-0604	3/8 X 1/4	0.13	0.75	0.75
NL101-0804	1/2 X 1/4	0.17	1.78	1.69
NL101-0806	1/2 X 3/8	0.18	0.93	0.90
NL101-1204	3/4 X 1/4	0.30	1.00	1.00
NL101-1206	3/4 X 3/8	0.25	0.97	0.97
NL101-1208	3/4 X 1/2	0.31	1.08	1.11
NL101-1608	1 X 1/2	0.45	1.20	1.24
NL101-1612	1 X 3/4	0.50	1.30	1.31
NL101-2008	1-1/4 X 1/2	0.70	1.25	1.38
NL101-2412	1-1/4 X 3/4	0.88	1.30	1.31
NL101-2016	1-1/4 X 1	0.82	1.52	1.60
NL101-2416	1-1/2 X 1	0.96	1.55	1.72
NL101-2420	1-1/2 X 1-1/4	1.00	1.72	1.81
NL101-3208	2 X 1/2	1.25	1.17	2.92
NL101-3216	2 X 1	1.60	1.56	1.94
NL101-3224	2 X 1-1/2	1.78	1.89	2.07
NL101-4024	2-1/2 X 1-1/2	3.28	2.19	2.50
NL101-4032	2-1/2 X 2	3.02	2.39	2.60



*Conforms with lead content requirements for lead-free plumbing as defined by the U.S. Safe Drinking Water Act. Certified <0.25 weighted average % lead.



MERIT BRASS

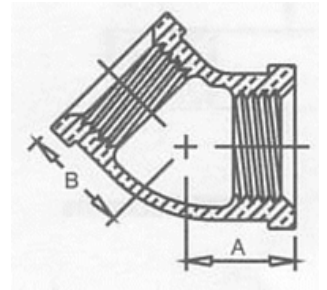
DIRECTING THE FLOW OF *Quality*

DIMENSIONAL SPECIFICATIONS

LEAD-FREE DOMESTIC BRASS FITTINGS* 125 LB.

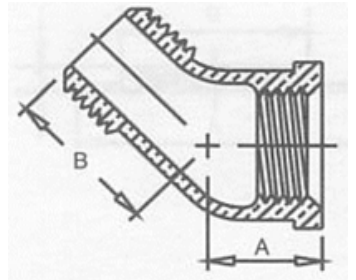
45 DEGREE ELBOW

Part #	Size (IN.)	Approx. Net WT. (LB.)	A	B
NL102-02	1/8	0.05	0.43	0.43
NL102-04	1/4	0.09	0.55	0.55
NL102-06	3/8	1.14	0.63	0.63
NL102-08	1/2	0.19	0.79	0.79
NL102-12	3/4	0.30	0.91	0.91
NL102-16	1	0.50	1.07	1.07
NL102-20	1-1/4	0.75	1.23	1.23
NL102-24	1-1/2	0.95	1.31	1.31
NL102-32	2	1.70	1.47	1.47
NL102-40	2-1/2	2.79	1.89	1.89



45 DEGREE STREET ELBOW

Part #	Size (IN.)	Approx. Net WT. (LB.)	A	B
NL103A-04	1/4	0.08	0.56	0.88
NL103A-06	3/8	0.12	0.63	0.92
NL103A-08	1/2	0.17	0.78	1.06
NL103A-12	3/4	0.29	0.89	1.23
NL103A-16	1	0.49	1.06	1.40
NL103A-20	1-1/4	0.70	1.22	1.64
NL103A-24	1-1/2	0.92	1.30	1.80
NL103A-32	2	1.37	1.45	2.14



*Conforms with lead content requirements for lead-free plumbing as defined by the U.S. Safe Drinking Water Act. Certified <0.25 weighted average % lead.



MERIT BRASS

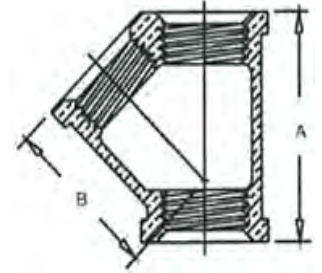
DIRECTING THE FLOW OF *Quality*

DIMENSIONAL SPECIFICATIONS

LEAD-FREE DOMESTIC BRASS FITTINGS* 125 LB.

45 DEGREE Y-BRANCH

Part #	Size (IN.)	Approx. Net WT. (LB.)	A	B
NL122-06	3/8	0.28	1.78	1.28
NL122-08	1/2	0.29	2.19	1.58
NL122-12	3/4	0.62	2.62	1.90
NL122-16	1	0.97	3.18	2.33
NL122-20	1-1/4	1.63	3.85	2.83
NL122-24	1-1/2	1.96	4.24	3.14
NL122-32	2	3.25	5.00	3.76
NL122-40	2-1/2	6.39	6.25	4.75
NL122-48	3	10.19	7.25	5.56



*Conforms with lead content requirements for lead-free plumbing as defined by the U.S. Safe Drinking Water Act. Certified <0.25 weighted average % lead.



MERIT BRASS

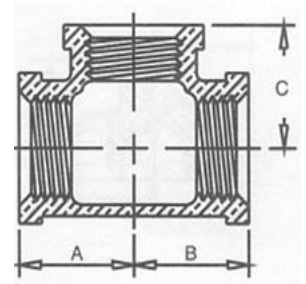
DIRECTING THE FLOW OF *Quality*

DIMENSIONAL SPECIFICATIONS

LEAD-FREE DOMESTIC BRASS FITTINGS* 125 LB.

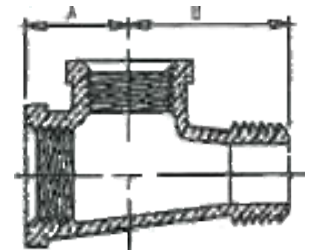
TEE

Part #	Size (IN.)	Approx. Net WT. (LB.)	A	B	C
NL106-02	1/8	0.07	0.54	0.54	0.54
NL106-04	1/4	0.14	0.71	0.71	0.71
NL106-06	3/8	0.21	0.82	0.82	0.82
NL106-08	1/2	0.30	1.01	1.01	1.01
NL106-12	3/4	0.50	1.18	1.18	1.18
NL106-16	1	0.80	1.43	1.43	1.43
NL106-20	1-1/4	1.47	1.69	1.69	1.69
NL106-24	1-1/2	1.50	1.84	1.84	1.84
NL106-32	2	2.25	2.12	2.12	2.12
NL106-40	2-1/2	4.56	2.70	2.70	2.70
NL106-48	3	6.70	3.08	3.08	3.08
NL106-64	4	11.03	3.79	3.79	3.79



STREET TEE

Part #	Size (IN.)	Approx. Net WT. (LB.)	A	B
NL106A-08	1/2	0.27	2.19	1.59
NL106A-32	2	3.20	2.13	2.88



*Conforms with lead content requirements for lead-free plumbing as defined by the U.S. Safe Drinking Water Act. Certified <0.25 weighted average % lead.



MERIT BRASS

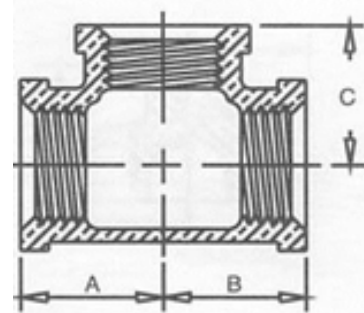
DIRECTING THE FLOW OF *Quality*

DIMENSIONAL SPECIFICATIONS

LEAD-FREE DOMESTIC BRASS FITTINGS* 125 LB.

REDUCING TEE

Part #	Size (IN.)	Approx. Net WT. (LB.)	A	B	C
NL106-060604	3/8 X 3/8 X 1/4	0.17	0.75	0.75	0.78
NL106-060608	3/8 X 3/8 X 1/2	0.24	0.90	0.90	0.93
NL106-080408	1/2 X 1/4 X 1/2	0.27	0.93	0.87	0.93
NL106-080606	1/2 X 3/8 X 3/8	0.25	0.93	0.82	0.90
NL106-080608	1/2 X 3/8 X 1/2	0.25	1.01	0.90	1.01
NL106-080806	1/2 X 1/2 X 3/8	0.25	0.93	0.93	0.90
NL106-080812	1/2 X 1/2 X 3/4	0.38	1.11	1.11	1.08
NL106-120808	3/4 X 1/2 X 1/2	0.42	1.08	1.01	1.11
NL106-120812	3/4 X 1/2 X 3/4	0.42	1.18	1.11	1.18
NL106-121204	3/4 X 3/4 X 1/4	0.35	1.00	1.00	1.00
NL106-121208	3/4 X 3/4 X 1/2	0.40	1.08	1.08	1.11
NL106-121216	3/4 X 3/4 X 1	0.60	1.31	1.31	1.30
NL106-160816	1 X 1/2 X 1	0.61	1.43	1.24	1.43
NL106-161208	1 X 3/4 X 1/2	0.46	1.20	1.08	1.24
NL106-161212	1 X 3/4 X 3/4	0.58	1.30	1.08	1.31
NL106-161216	1 X 3/4 X 1	0.71	1.43	1.31	1.43
NL106-161606	1 X 1 X 3/8	0.56	1.12	1.12	1.13
NL106-161608	1 X 1 X 1/2	0.63	1.20	1.20	1.24
NL106-161612	1 X 1 X 3/4	0.72	1.30	1.30	1.31
NL106-202008	1-1/4 X 1-1/4 X 1/2	0.92	1.29	1.29	1.41
NL106-202012	1-1/4 X 1-1/4 X 3/4	0.91	1.39	1.39	1.48
NL106-202016	1-1/4 X 1-1/4 X 1	1.10	1.52	1.52	1.60



*Conforms with lead content requirements for lead-free plumbing as defined by the U.S. Safe Drinking Water Act. Certified <0.25 weighted average % lead.



MERIT BRASS

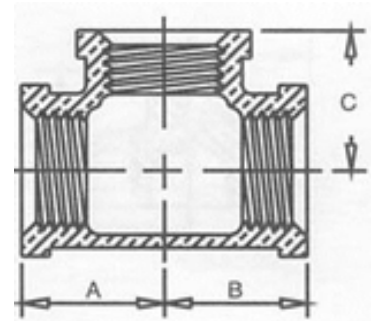
DIRECTING THE FLOW OF *Quality*

DIMENSIONAL SPECIFICATIONS

LEAD-FREE DOMESTIC BRASS FITTINGS* 125 LB.

REDUCING TEE CONTINUED

Part #	Size (IN.)	Approx. Net WT. (LB.)	A	B	C
NL106-202024	1-1/4 X 1-1/4 X 1-1/2	1.74	1.81	1.81	1.72
NL106-240824	1-1/2 X 1/2 X 1-1/2	1.51	1.81	1.56	1.81
NL106-241224	1-1/2 X 3/4 X 1-1/2	1.35	1.84	1.60	1.84
NL106-241616	1-1/2 X 1 X 1	1.10	1.63	1.50	1.81
NL106-241624	1-1/2 X 1 X 1-1/2	1.47	1.88	1.81	1.88
NL106-242408	1-1/2 X 1-1/2 X 1/2	1.17	1.32	1.32	1.53
NL106-242412	1-1/2 X 1-1/2 X 3/4	1.14	1.42	1.42	1.60
NL106-242416	1-1/2 X 1-1/2 X 1	1.35	1.55	1.55	1.72
NL106-242420	1-1/2 X 1-1/2 X 1-1/4	1.45	1.72	1.72	1.81
NL106-242432	1-1/2 X 1-1/2 X 2	2.15	2.07	2.07	1.89
NL106-321232	2 X 3/4 X 2	2.56	2.13	1.84	2.13
NL106-322420	2 X 1-1/2 X 1-1/4	1.79	1.78	1.72	2.03
NL106-323208	2 X 2 X 1/2	1.67	1.50	1.50	1.88
NL106-323212	2 X 2 X 3/4	1.70	1.47	1.47	1.84
NL106-323216	2 X 2 X 1	1.83	1.59	1.59	1.95
NL106-323220	2 X 2 X 1-1/4	2.07	1.77	1.77	2.04
NL106-323224	2 X 2 X 1-1/2	2.18	1.89	1.89	2.07
NL106-403240	2-1/2 X 2 X 2-1/2	4.18	2.69	2.63	2.69
NL106-404016	2-1/2 X 2-1/2 X 1	2.98	1.88	1.88	2.38
NL106-404032	2-1/2 X 2-1/2 X 2	3.91	2.39	2.39	2.60
NL106-484832	3 X 3 X 2	5.61	2.52	2.52	2.89



*Conforms with lead content requirements for lead-free plumbing as defined by the U.S. Safe Drinking Water Act. Certified <0.25 weighted average % lead.



MERIT BRASS

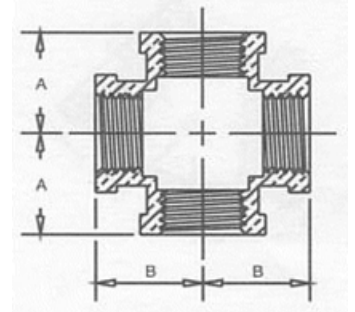
DIRECTING THE FLOW OF *Quality*

DIMENSIONAL SPECIFICATIONS

LEAD-FREE DOMESTIC BRASS FITTINGS* 125 LB.

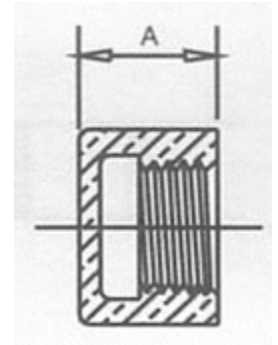
CROSS

Part #	Size (IN.)	Approx. Net WT. (LB.)	A	B
NL110-04	1/4	0.16	0.71	0.71
NL110-06	3/8	0.23	0.82	0.82
NL110-08	1/2	0.34	1.01	1.01
NL110-12	3/4	0.55	1.18	1.18
NL110-16	1	0.95	1.43	1.43
NL110-20	1-1/4	1.94	1.69	1.69
NL110-24	1-1/2	2.95	1.84	1.84
NL110-32	2	7.84	2.12	2.12



CAP

Part #	Size (IN.)	Approx. Net WT. (LB.)	A
NL116-02	1/8	0.04	0.49
NL116-04	1/4	0.07	0.59
NL116-06	3/8	0.10	0.66
NL116-08	1/2	0.12	0.78
NL116-12	3/4	0.21	0.84
NL116-16	1	0.30	1.00
NL116-20	1-1/4	0.45	1.13
NL116-24	1-1/2	0.65	1.16
NL116-32	2	1.10	1.34
NL116-40	2-1/2	1.79	1.72
NL116-48	3	1.78	1.81
NL116-64	4	5.59	2.09



*Conforms with lead content requirements for lead-free plumbing as defined by the U.S. Safe Drinking Water Act. Certified <0.25 weighted average % lead.



MERIT BRASS

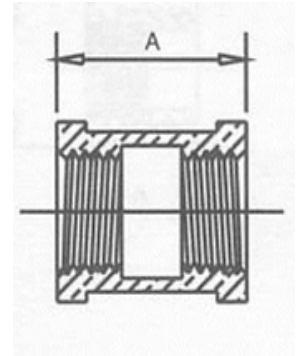
DIRECTING THE FLOW OF *Quality*

DIMENSIONAL SPECIFICATIONS

LEAD-FREE DOMESTIC BRASS FITTINGS* 125 LB.

COUPLING

Part #	Size (IN.)	Approx. Net WT. (LB.)	A
NL111-02	1/8	0.06	0.80
NL111-04	1/4	0.08	0.80
NL111-06	3/8	0.12	1.05
NL111-08	1/2	0.25	1.29
NL111-12	3/4	0.30	1.43
NL111-16	1	0.45	1.68
NL111-20	1-1/4	0.65	1.86
NL111-24	1-1/2	0.90	1.92
NL111-32	2	1.35	2.20
NL111-40	2-1/2	2.40	2.88
NL111-48	3	3.45	3.18
NL111-64	4	5.03	3.69



*Conforms with lead content requirements for lead-free plumbing as defined by the U.S. Safe Drinking Water Act. Certified <0.25 weighted average % lead.



MERIT BRASS

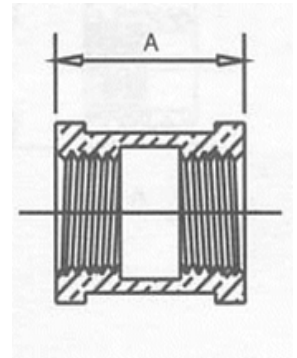
DIRECTING THE FLOW OF *Quality*

DIMENSIONAL SPECIFICATIONS

LEAD-FREE DOMESTIC BRASS FITTINGS* 125 LB.

REDUCING COUPLING

Part #	Size (IN.)	Approx. Net WT. (LB.)	A
NL112-0604	3/8 X 1/4	0.09	0.92
NL112-0804	1/2 X 1/4	0.135	1.13
NL112-0806	1/2 X 3/8	0.16	1.17
NL112-1206	3/4 X 3/8	0.23	1.35
NL112-1208	3/4 X 1/2	0.25	1.35
NL112-1612	1 X 3/4	0.35	1.56
NL112-2012	1-1/4 X 3/4	0.62	1.77
NL112-2408	1-1/2 X 1/2	0.59	1.80
NL112-2412	1-1/2 X 3/4	0.65	1.80
NL112-2416	1-1/2 X 1	0.60	1.80
NL112-2420	1-1/2 X 1-1/4	0.75	1.80
NL112-3216	2 X 1	1.00	2.03
NL112-3220	2 X 1-1/4	1.05	2.03
NL112-3224	2 X 1-1/2	1.115	2.085
NL112-4032	2-1/2 X 2	1.71	3.25
NL112-4832	3 X 2	2.70	3.69
NL112-4840	3 X 2-1/2	3.33	3.69
NL112-6432	4 X 2	4.29	4.38



*Conforms with lead content requirements for lead-free plumbing as defined by the U.S. Safe Drinking Water Act. Certified <0.25 weighted average % lead.



MERIT BRASS

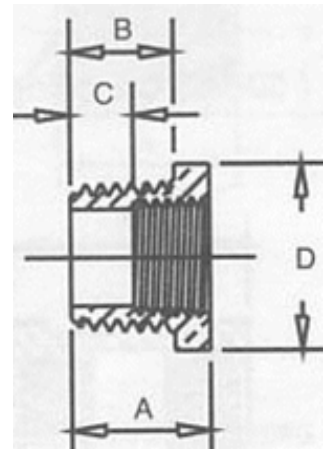
DIRECTING THE FLOW OF *Quality*

DIMENSIONAL SPECIFICATIONS

LEAD-FREE DOMESTIC BRASS FITTINGS* 125 LB.

HEX BUSHING

Part #	Size (IN.)	Approx. Net WT. (LB.)	A	B	C	D
NL114-0802	1/2 X 1/8	0.09	0.75	0.56	0.50	0.88
NL114-0804	1/2 X 1/4	0.10	0.75	0.56	0.43	0.88
NL114-0806	1/2 X 3/8	0.06	0.75	0.56	0.34	0.88
NL114-1202	3/4 X 1/8	0.14	0.88	0.63	0.25	1.16
NL114-1204	3/4 X 1/4	0.15	0.85	0.63	0.53	1.16
NL114-1206	3/4 X 3/8	0.14	0.85	0.63	0.49	1.16
NL114-1208	3/4 X 1/2	0.11	0.85	0.63	0.32	1.16
NL114-1602	1 X 1/8	0.22	1.06	0.75	0.75	1.44
NL114-1604	1 X 1/4	0.25	1.05	0.75	0.73	1.44
NL114-1606	1 X 3/8	0.20	1.05	0.75	0.69	1.13
NL114-1608	1 X 1/2	0.25	1.00	0.75	0.57	1.13
NL114-1612	1 X 3/4	0.19	1.00	0.75	0.50	1.13
NL114-2008	1-1/4 X 1/2	0.40	1.14	0.80	0.71	1.34
NL114-2012	1-1/4 X 3/4	0.43	1.1	0.80	0.64	1.76
NL114-2016	1-1/4 X 1	0.30	1.08	0.80	0.47	1.78
NL114-2412	1-1/2 X 3/4	0.50	1.20	0.83	0.70	1.63



NOTE: Bushings reducing to pipe sizes smaller than given are bushed from the smallest reduction appearing in the table.



*Conforms with lead content requirements for lead-free plumbing as defined by the U.S. Safe Drinking Water Act. Certified <0.25 weighted average % lead.

MERIT BRASS

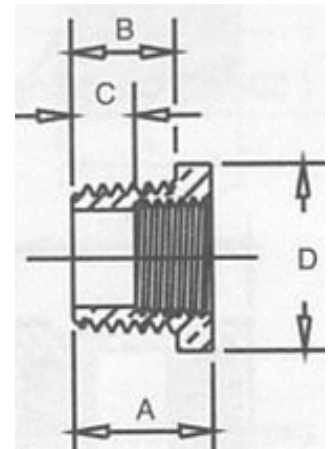
DIRECTING THE FLOW OF *Quality*

DIMENSIONAL SPECIFICATIONS

LEAD-FREE DOMESTIC BRASS FITTINGS* 125 LB.

HEX BUSHING CONTINUED

Part #	Size (IN.)	Approx. Net WT. (LB.)	A	B	C	D
NL114-2416	1-1/2 X 1	0.45	1.14	0.83	0.56	2.00
NL114-2420	1-1/2 X 1-1/4	0.35	1.14	0.83	0.43	2.00
NL114-3204	2 X 1/4	0.66	1.25	0.25	0.73	2.38
NL114-3208	2 X 1/2	1.00	1.31	0.88	0.88	1.34
NL114-3212	2 X 3/4	0.95	1.31	0.88	0.81	1.63
NL114-3216	2 X 1	0.77	1.36	0.91	0.78	1.96
NL114-3220	2 X 1-1/4	0.75	1.22	0.88	0.55	2.50
NL114-3224	2 X 1-1/2	0.65	1.22	0.88	0.52	2.50
NL114-4016	2-1/2 X 1	1.03	1.53	1.09	0.94	1.97
NL114-4020	2-1/2 X 1-1/4	1.07	1.53	1.09	0.84	2.97
NL114-4032	2-1/2 X 2	1.15	1.44	1.07	0.69	2.41
NL114-4816	3 X 1	1.97	1.63	1.13	1.03	3.50
NL114-4820	3 X 1-1/4	1.75	1.63	1.13	0.94	3.50
NL114-4824	3 X 1-1/2	1.52	1.63	1.13	0.91	3.50
NL114-4832	3 X 2	1.65	1.61	1.13	0.86	3.50
NL114-4840	3 X 2-1/2	1.70	1.53	1.13	0.61	3.88



NOTE: Bushings reducing to pipe sizes smaller than given are bushed from the smallest reduction appearing in the table.



*Conforms with lead content requirements for lead-free plumbing as defined by the U.S. Safe Drinking Water Act. Certified <0.25 weighted average % lead.

MERIT BRASS

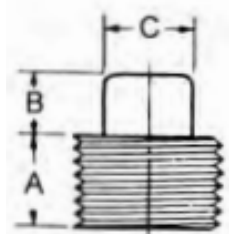
DIRECTING THE FLOW OF *Quality*

DIMENSIONAL SPECIFICATIONS

LEAD-FREE DOMESTIC BRASS FITTINGS* 125 LB.

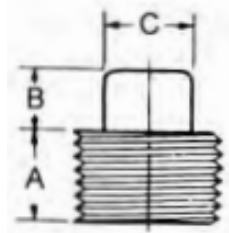
SQUARE HEAD CORED PLUG

Part #	Size (IN.)	Approx. Net WT. (LB.)	A	B	C
NL117-08	1/2	0.11	0.54	0.38	0.56
NL117-12	3/4	0.15	0.55	0.44	0.63
NL117-16	1	0.26	0.69	0.50	0.81
NL117-20	1-1/4	0.35	0.71	0.56	0.94
NL117-24	1-1/2	0.45	0.73	0.62	1.13
NL117-32	2	0.60	0.76	0.68	1.31
NL117-40	2-1/2	1.13	1.07	0.74	1.50
NL117-48	3	1.90	1.13	0.80	1.69
NL117-64	4	3.22	1.22	0.92	2.25



SQUARE HEAD SOLID PLUG

Part #	Size (IN.)	Approx. Net WT. (LB.)	A	B	C
NL117A-06	3/8	0.06	0.41	0.31	0.44
NL117A-08	1/2	0.12	0.54	0.38	0.56
NL117A-12	3/4	0.20	0.55	0.44	0.63
NL117A-16	1	0.25	0.69	0.50	0.81
NL117A-20	1-1/4	0.60	0.71	0.56	0.94
NL117A-24	1-1/2	0.76	0.73	0.62	1.13
NL117A-32	2	1.13	0.76	0.68	1.31
NL117A-40	2-1/2	2.26	1.07	0.74	1.50



*Conforms with lead content requirements for lead-free plumbing as defined by the U.S. Safe Drinking Water Act. Certified <0.25 weighted average % lead.



MERIT BRASS

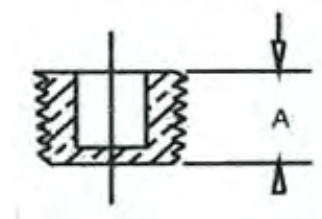
DIRECTING THE FLOW OF *Quality*

DIMENSIONAL SPECIFICATIONS

LEAD-FREE DOMESTIC BRASS FITTINGS* 125 LB.

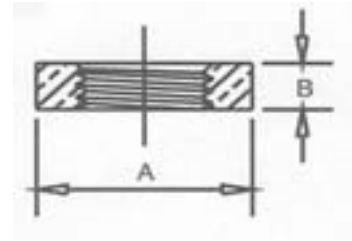
SQUARE COUNTERSUNK PLUG

Part #	Size (IN.)	Approx. Net WT. (LB.)	A
NL118-08	1/2	0.06	0.54
NL118-12	3/4	0.09	0.55
NL118-16	1	0.23	0.69
NL118-20	1-1/4	0.34	0.71
NL118-24	1-1/2	0.48	0.73
NL118-32	2	0.80	0.76
NL118-48	3	2.55	1.13



HEX LOCKNUT

Part #	Size (IN.)	Approx. Net WT. (LB.)	A	B
NL119-02	1/8	0.04	0.88	0.25
NL119-04	1/4	0.04	0.88	0.25
NL119-06	3/8	0.03	1.00	0.28
NL119-08	1/2	0.07	1.28	0.31
NL119-12	3/4	0.08	1.50	0.28
NL119-16	1	0.11	1.75	0.34
NL119-20	1-1/4	0.17	2.09	0.38
NL119-24	1-1/2	0.28	2.44	0.41
NL119-48	3	1.70	4.25	0.63



*Conforms with lead content requirements for lead-free plumbing as defined by the U.S. Safe Drinking Water Act. Certified <0.25 weighted average % lead.



MERIT BRASS

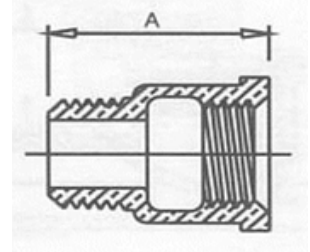
DIRECTING THE FLOW OF *Quality*

DIMENSIONAL SPECIFICATIONS

LEAD-FREE DOMESTIC BRASS FITTINGS* 125 LB.

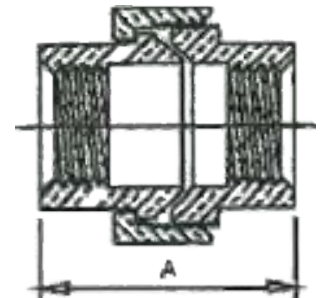
EXTENSION PIECE

Part #	Size (IN.)	Approx. Net WT. (LB.)	A
NL232-08	1/2	0.19	1.47
NL232-12	3/4	0.26	1.81
NL232-16	1	0.45	2.19



UNION

Part #	Size (IN.)	Approx. Net WT. (LB.)	A
NL187-04	1/4	0.20	1.25
NL187-06	3/8	0.30	1.48
NL187-08	1/2	0.45	1.56
NL187-12	3/4	0.62	1.87
NL187-16	1	0.85	2.11
NL187-20	1-1/4	1.40	2.34
NL187-24	1-1/2	1.75	2.65
NL187-32	2	2.75	2.96



*Conforms with lead content requirements for lead-free plumbing as defined by the U.S. Safe Drinking Water Act. Certified <0.25 weighted average % lead.



MERIT BRASS

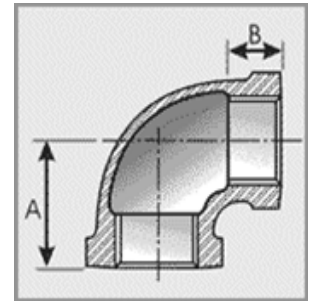
DIRECTING THE FLOW OF *Quality*

DIMENSIONAL SPECIFICATIONS

LEADED IMPORT BRASS FITTINGS** 250 LB.

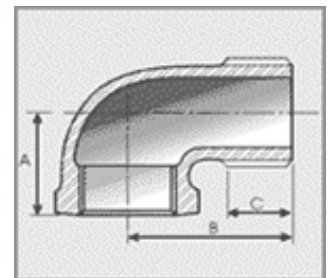
90 DEGREE ELBOW

Part #	Size (IN.)	Approx. Net WT. (LB.)	A	B
X150-04	1/4	0.16	0.81	0.32
X150-06	3/8	0.26	0.95	0.36
X150-08	1/2	0.43	1.12	0.43
X150-12	3/4	0.67	1.31	0.50
X150-16	1	1.05	1.50	0.58
X150-20	1-1/4	1.68	1.75	0.67
X150-24	1-1/2	2.15	1.94	0.70
X150-32	2	3.52	2.25	0.75
X150-40	2-1/2	5.43	2.70	0.92
X150-48	3	7.99	3.08	1.08



90 DEGREE STREET ELBOW

Part #	Size (IN.)	Approx. Net WT. (LB.)	A	B	C
X160-04	1/4	0.20	0.81	1.11	0.40
X160-06	3/8	0.20	0.94	1.24	0.40
X160-08	1/2	0.33	1.22	1.49	0.53
X160-12	3/4	0.56	1.31	1.69	0.55
X160-16	1	0.89	1.50	1.98	0.68
X160-20	1-1/4	1.45	1.75	2.24	0.74
X160-24	1-1/2	1.95	1.94	2.48	0.75
X160-32	2	3.01	2.25	2.88	0.75



** ⚠ **WARNING:** This product can expose you to Lead, which is known to the State of California to cause cancer and birth defects or other reproductive harm. For more information go to www.P65Warnings.ca.gov. This product is not for use in potable water.

**MERIT
BRASS**

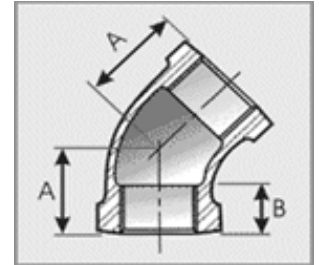
DIRECTING THE FLOW OF *Quality*

DIMENSIONAL SPECIFICATIONS

LEADED IMPORT BRASS FITTINGS** 250 LB.

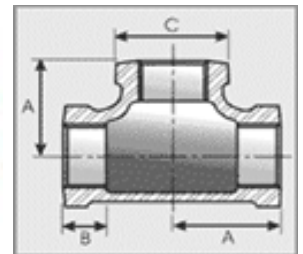
45 DEGREE ELBOW

Part #	Size (IN.)	Approx. Net WT. (LB.)	A	B
X152-08	1/2	0.39	1.12	0.43
X152-12	3/4	0.62	1.31	0.50
X152-16	1	0.91	1.50	0.58
X152-20	1-1/4	1.45	1.75	0.67
X152-24	1-1/2	1.96	1.94	0.70
X152-32	2	3.14	2.25	0.75



TEE

Part #	Size (IN.)	Approx. Net WT. (LB.)	A	B	C
X153-04	1/4	0.24	0.81	0.93	0.38
X153-06	3/8	0.37	0.95	1.12	0.44
X153-08	1/2	0.61	1.12	1.34	0.50
X153-12	3/4	0.97	1.31	1.63	0.56
X153-16	1	1.47	1.50	1.95	0.62
X153-20	1-1/4	2.23	1.75	2.39	0.69
X153-24	1-1/2	3.01	1.94	2.68	0.75
X153-32	2	4.79	2.25	3.28	0.84
X153-40	2-1/2	7.19	2.70	3.86	0.94
X153-48	3	10.84	3.08	4.62	1.00



** ⚠️ **WARNING:** This product can expose you to Lead, which is known to the State of California to cause cancer and birth defects or other reproductive harm. For more information go to www.P65Warnings.ca.gov. This product is not for use in potable water.

**MERIT
BRASS**

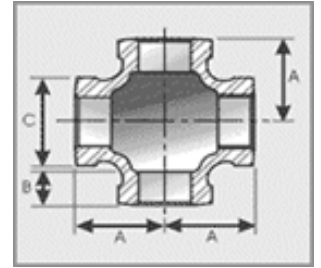
DIRECTING THE FLOW OF *Quality*

DIMENSIONAL SPECIFICATIONS

LEADED IMPORT BRASS FITTINGS** 250 LB.

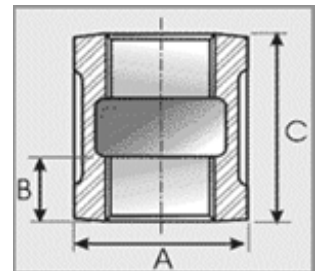
CROSS

Part #	Size (IN.)	Approx. Net WT. (LB.)	A	B
X154-04	1/4	0.32	0.81	0.93
X154-06	3/8	0.4	0.95	1.12
X154-08	1/2	0.75	1.12	1.34
X154-12	3/4	1.25	1.31	1.63
X154-16	1	1.9	1.50	1.95
X154-20	1-1/4	2.85	1.75	2.39
X154-24	1-1/2	3.85	1.94	2.68
X154-32	2	5.9	2.25	3.28



COUPLING

Part #	Size (IN.)	Approx. Net WT. (LB.)	A	B
X157-04	1/4	0.14	0.32	1.06
X157-06	3/8	0.22	0.36	1.16
X157-08	1/2	0.33	0.44	1.35
X157-12	3/4	0.54	0.51	1.53
X157-16	1	0.79	0.58	1.68
X157-20	1-1/4	1.26	0.68	1.95
X157-24	1-1/2	1.71	0.70	2.15
X157-32	2	2.73	0.70	2.54
X157-40	2-1/2	4.11	0.92	2.90
X157-48	3	5.98	1.00	3.20



** ⚠ **WARNING:** This product can expose you to Lead, which is known to the State of California to cause cancer and birth defects or other reproductive harm. For more information go to www.P65Warnings.ca.gov. This product is not for use in potable water.

MERIT BRASS

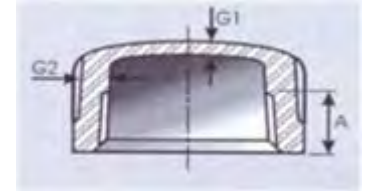
DIRECTING THE FLOW OF *Quality*

DIMENSIONAL SPECIFICATIONS

LEADED IMPORT BRASS FITTINGS** 250 LB.

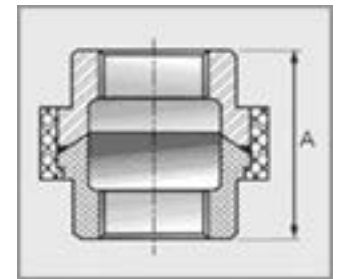
CAP

Part #	Size (IN.)	Approx. Net WT. (LB.)	A	B
X158-04	1/4	0.09	0.32	0.67
X158-06	3/8	0.15	0.36	0.76
X158-08	1/2	0.22	0.44	0.86
X158-12	3/4	0.37	0.51	1.02
X158-16	1	0.54	0.58	1.10
X158-20	1-1/4	0.87	0.68	1.29
X158-24	1-1/2	1.12	0.70	1.33
X158-32	2	1.80	0.75	1.55
X158-40	2-1/2	4.19	0.92	1.81



UNION

Part #	Size (IN.)	Approx. Net WT. (LB.)	A
X190-02	1/8	0.19	0.44
X190-04	1/4	0.35	1.56
X190-06	3/8	0.41	1.75
X190-08	1/2	0.62	2.00
X190-12	3/4	1.06	2.13
X190-16	1	1.40	2.44
X190-20	1-1/4	2.29	2.69
X190-24	1-1/2	2.94	2.81
X190-32	2	3.42	3.19
X190-40	2-1/2	5.79	3.63



**  **WARNING:** This product can expose you to Lead, which is known to the State of California to cause cancer and birth defects or other reproductive harm. For more information go to www.P65Warnings.ca.gov. This product is not for use in potable water.

**MERIT
BRASS**

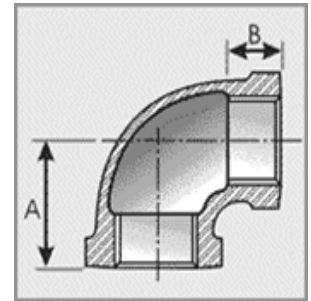
DIRECTING THE FLOW OF *Quality*

DIMENSIONAL SPECIFICATIONS

LEAD-FREE IMPORT BRASS FITTINGS* 250 LB.

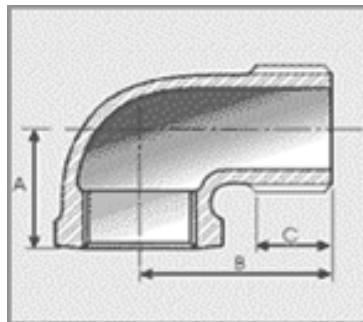
90 DEGREE ELBOW

Part #	Size (IN.)	Approx. Net WT. (LB.)	A	B
XNL150-04	1/4	0.16	0.81	0.32
XNL150-06	3/8	0.26	0.95	0.36
XNL150-08	1/2	0.43	1.12	0.43
XNL150-12	3/4	0.67	1.31	0.50
XNL150-16	1	1.05	1.50	0.58
XNL150-24	1-1/2	2.15	1.94	0.70
XNL150-32	2	3.52	2.25	0.75



90 DEGREE STREET ELBOW

Part #	Size	Approx. Net WT. (LB.)	A	B	C
XNL160-04	1/4	0.07	0.81	1.11	0.40
XNL160-12	3/4	0.56	1.31	1.69	0.55
XNL160-16	1	0.89	1.50	1.98	0.68



*Conforms with lead content requirements for lead-free plumbing as defined by the U.S. Safe Drinking Water Act. Certified <0.25 weighted average % lead.

MERIT BRASS

DIRECTING THE FLOW OF *Quality*

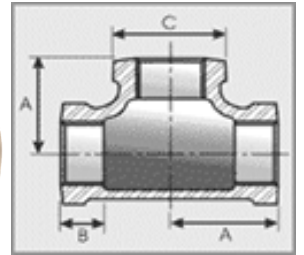
DIMENSIONAL SPECIFICATIONS

LEAD-FREE IMPORT BRASS FITTINGS* 250 LB.



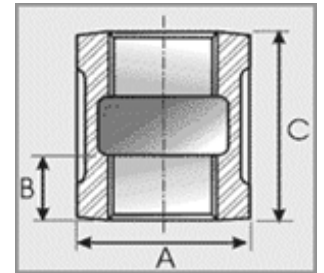
TEE

Part #	Size (IN.)	Approx. Net WT. (LB.)	A	B	C
XNL153-04	1/4	0.12	0.81	0.38	0.93
XNL153-08	1/2	0.61	1.12	1.34	0.50
XNL153-12	3/4	0.97	1.31	1.63	0.56
XNL153-16	1	1.47	1.50	1.95	0.62
XNL153-24	1-1/2	3.01	1.94	2.68	0.75



COUPLING

Part #	Size (IN.)	Approx. Net WT. (LB.)	A	B
XNL157-04	1/4	0.13	0.32	1.06
XNL157-32	2	2.73	0.70	2.54



*Conforms with lead content requirements for lead-free plumbing as defined by the U.S. Safe Drinking Water Act. Certified <0.25 weighted average % lead.



MERIT BRASS

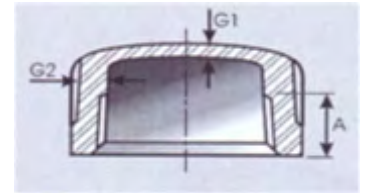
DIRECTING THE FLOW OF *Quality*

DIMENSIONAL SPECIFICATIONS

LEAD-FREE IMPORT BRASS FITTINGS* 250 LB.

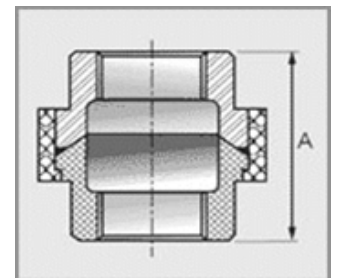
CAP

Part #	Size (IN.)	Approx. Net WT. (LB.)	A	B
XNL158-16	1	0.54	0.58	1.10



UNION

Part #	Size (IN.)	Approx. Net WT. (LB.)	A
XNL190-04	1/4	0.16	1.56
XNL190-08	1/2	0.62	2.00
XNL190-12	3/4	1.06	2.13
XNL190-16	1	1.40	2.44
XNL190-24	1-1/2	2.94	2.81
XNL190-32	2	3.42	3.19



*Conforms with lead content requirements for lead-free plumbing as defined by the U.S. Safe Drinking Water Act. Certified <0.25 weighted average % lead.



MERIT BRASS

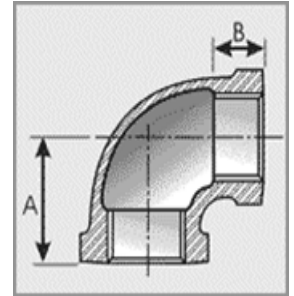
DIRECTING THE FLOW OF *Quality*

DIMENSIONAL SPECIFICATIONS

LEAD-FREE IMPORT BRASS FITTINGS* 125 LB.

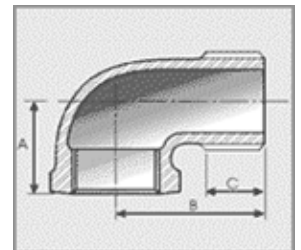
90 DEGREE ELBOW

Part#	Size (IN.)	Approx. Net WT. (LB.)	A	B
XNL101-02	1/8	0.08	0.55	0.26
XNL101-04	1/4	0.10	0.72	0.35
XNL101-06	3/8	0.17	0.83	0.37
XNL101-08	1/2	0.24	1.03	0.45
XNL101-12	3/4	0.40	1.19	0.52
XNL101-16	1	0.64	1.43	0.60
XNL101-20	1-1/4	0.96	1.71	0.67
XNL101-24	1-1/2	1.16	1.87	0.70
XNL101-32	2	2.07	2.14	0.76
XNL101-40	2-1/2	3.83	2.74	0.93
XNL101-48	3	4.62	3.10	1.00
XNL101-64	4	7.70	3.80	1.10



90 DEGREE STREET ELBOW

Part #	Size (IN.)	Approx. Net WT. (LB.)	A	B	C
XNL103-02	1/8	0.07	0.55	0.92	0.28
XNL103-04	1/4	0.11	0.72	1.11	0.32
XNL103-06	3/8	0.16	0.83	1.24	0.35
XNL103-08	1/2	0.24	1.03	1.51	0.45
XNL103-12	3/4	0.36	1.19	1.66	0.50
XNL103-16	1	0.62	1.43	1.98	0.58
XNL103-20	1-1/4	1.03	1.71	2.26	0.67
XNL103-24	1-1/2	1.27	1.87	2.46	0.75
XNL103-32	2	2.09	2.14	2.98	0.78
XNL103-40	2-1/2	4.05	2.74	3.92	0.92
XNL103-48	3	6.38	3.10	4.45	0.98
XNL103-64	4	11.44	3.80	5.63	1.08



*Conforms with lead content requirements for lead-free plumbing as defined by the U.S. Safe Drinking Water Act. Certified <0.25 weighted average % lead.



MERIT BRASS

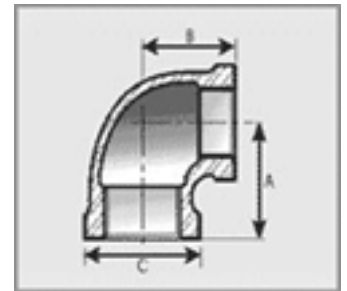
DIRECTING THE FLOW OF *Quality*

DIMENSIONAL SPECIFICATIONS

LEAD-FREE IMPORT BRASS FITTINGS* 125 LB.

90 DEGREE REDUCING ELBOW

Part #	Size (IN.)	Approx. Net WT. (LB.)	A	B	C
XNL101-0402	1/4 X 1/8	0.09	0.67	0.81	0.88
XNL101-0604	3/8 X 1/4	0.15	0.81	1.00	0.92
XNL101-0806	1/2 X 3/8	0.23	0.81	1.17	1.17
XNL101-1204	3/4 X 1/4	0.26	0.81	1.42	1.35
XNL101-1206	3/4 X 3/8	0.30	1.00	1.42	1.35
XNL101-1208	3/4 X 1/2	0.31	1.17	1.42	1.35
XNL101-1608	1 X 1/2	0.53	1.17	1.72	1.56
XNL101-1612	1 X 3/4	0.59	1.42	1.72	1.56
XNL101-2012	1-1/4 X 3/4	0.73	1.42	2.10	1.77
XNL101-2016	1-1/4 X 1	0.88	1.72	2.10	1.77
XNL101-2412	1-1/2 X 3/4	1.00	1.72	2.10	1.77
XNL101-2416	1-1/2 X 1	0.99	1.72	2.38	1.80
XNL101-2420	1-1/2 X 1-1/4	1.22	2.10	2.38	1.80
XNL101-3212	2 X 3/4	1.21	2.10	2.92	2.03
XNL101-3216	2 X 1	1.30	2.10	2.92	2.03
XNL101-3220	2 X 1-1/4	1.51	2.10	2.92	2.03
XNL101-3224	2 X 1-1/2	1.69	2.38	2.92	2.03
XNL101-4032	2-1/2 X 2	1.21	2.92	3.49	3.15
XNL101-4840	3 X 2-1/2	4.09	3.49	4.20	3.69



*Conforms with lead content requirements for lead-free plumbing as defined by the U.S. Safe Drinking Water Act. Certified <0.25 weighted average % lead.



MERIT BRASS

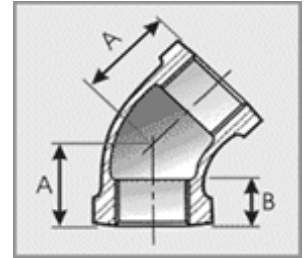
DIRECTING THE FLOW OF *Quality*

DIMENSIONAL SPECIFICATIONS

LEAD-FREE IMPORT BRASS FITTINGS* 125 LB.

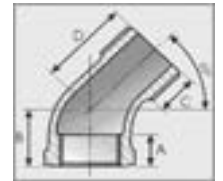
45 DEGREE ELBOW

Part #	Size (IN.)	Approx. Net WT. (LB.)	A	B
XNL102-02	1/8	0.08	0.43	0.43
XNL102-04	1/4	0.11	0.55	0.55
XNL102-06	3/8	0.12	0.63	0.63
XNL102-08	1/2	0.25	0.79	0.79
XNL102-12	3/4	0.34	0.91	0.91
XNL102-16	1	0.54	1.07	1.07
XNL102-20	1-1/4	0.90	1.23	1.23
XNL102-24	1-1/2	1.03	1.31	1.31
XNL102-32	2	1.54	1.47	1.47
XNL102-40	2-1/2	3.30	1.98	1.98
XNL102-48	3	3.52	2.18	2.18
XNL102-64	4	8.01	2.62	2.62



45 DEGREE STREET ELBOW

Part #	Size (IN.)	Approx. Net WT. (LB.)	A	B	C	D
XNL103A-02	1/8	0.06	0.26	0.43	0.28	0.79
XNL103A-08	1/2	0.29	0.45	0.79	0.45	1.07
XNL103A-12	3/4	0.31	0.52	0.91	0.50	1.23
XNL103A-16	1	0.52	0.60	1.07	0.58	1.42
XNL103A-20	1-1/4	0.90	0.67	1.23	0.67	1.65
XNL103A-24	1-1/2	0.97	0.70	1.31	0.75	1.83
XNL103A-32	2	2.04	0.76	1.47	0.78	2.14



*Conforms with lead content requirements for lead-free plumbing as defined by the U.S. Safe Drinking Water Act. Certified <0.25 weighted average % lead.



MERIT BRASS

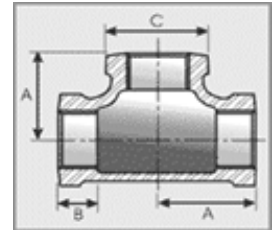
DIRECTING THE FLOW OF *Quality*

DIMENSIONAL SPECIFICATIONS

LEAD-FREE IMPORT BRASS FITTINGS* 125 LB.

TEE

Part #	Size (IN.)	Approx. Net WT. (LB.)	A	B	C
XNL106-02	1/8	0.09	0.55	0.26	0.67
XNL106-04	1/4	0.16	0.72	0.35	0.81
XNL106-06	3/8	0.25	0.83	0.37	1.00
XNL106-08	1/2	0.34	1.03	0.45	1.17
XNL106-12	3/4	0.52	1.19	0.52	1.42
XNL106-16	1	0.86	1.43	0.60	1.72
XNL106-20	1-1/4	1.18	1.71	0.67	2.10
XNL106-24	1-1/2	1.56	1.87	0.70	2.38
XNL106-32	2	2.62	2.14	0.76	2.92
XNL106-40	2-1/2	5.28	2.74	0.93	3.49
XNL106-48	3	5.98	3.10	1.00	4.20
XNL106-64	4	13.28	3.80	1.10	5.31



*Conforms with lead content requirements for lead-free plumbing as defined by the U.S. Safe Drinking Water Act. Certified <0.25 weighted average % lead.

MERIT BRASS

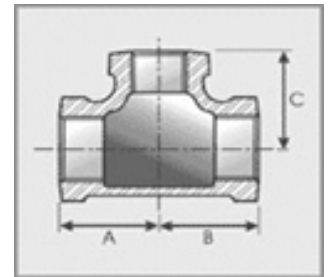
DIRECTING THE FLOW OF *Quality*

DIMENSIONAL SPECIFICATIONS

LEAD-FREE IMPORT BRASS FITTINGS* 125 LB.

REDUCING TEE

Part #	Size (IN.)	Approx. Net WT. (LB.)	A	B	C
XNL106-040402	1/4 X 1/4 X 1/8	0.11	0.65	0.65	0.60
XNL106-060604	3/8 X 3/8 X 1/4	0.19	0.75	0.75	0.78
XNL106-080804	1/2 X 1/2 X 1/4	0.28	0.87	0.87	0.87
XNL106-080806	1/2 X 1/2 X 3/8	0.29	0.93	0.93	0.90
XNL106-080812	1/2 X 1/2 X 3/4	0.43	1.22	1.22	1.20
XNL106-120808	3/4 X 1/2 X 1/2	0.43	1.20	1.12	1.22
XNL106-120812	3/4 X 1/2 X 3/4	0.49	1.37	1.31	1.45
XNL106-121206	3/4 X 3/4 X 3/8	0.46	1.00	1.00	1.00
XNL106-121208	3/4 X 3/4 X 1/2	0.53	1.08	1.08	1.11
XNL106-121216	3/4 X 3/4 X 1	0.70	1.22	1.22	1.20
XNL106-160808	1 X 1/2 X 1/2	0.53	1.31	1.22	1.31
XNL106-161208	1 X 3/4 X 1/2	0.67	1.26	1.20	1.36
XNL106-161212	1 X 3/4 X 3/4	0.67	1.37	1.31	1.45
XNL106-161604	1 X 1 X 1/4	0.73	1.04	1.04	1.13
XNL106-161608	1 X 1 X 1/2	0.73	1.20	1.20	1.24
XNL106-161612	1 X 1 X 3/4	0.83	1.30	1.30	1.31
XNL106-202012	1-1/4 X 1-1/4 X 3/4	1.03	1.30	1.30	1.31
XNL106-202016	1-1/4 X 1-1/4 X 1	1.03	1.58	1.58	1.67
XNL106-242408	1-1/2 X 1-1/2 X 1/2	1.11	1.32	1.32	1.53
XNL106-242412	1-1/2 X 1-1/2 X 3/4	1.23	1.42	1.42	1.60
XNL106-242416	1-1/2 X 1-1/2 X 1	1.31	1.55	1.55	1.72
XNL106-242420	1-1/2 X 1-1/2 X 1-1/4	1.52	1.72	1.72	1.81
XNL106-323208	2 X 2 X 1/2	1.65	1.49	1.49	1.88
XNL106-323212	2 X 2 X 3/4	1.87	1.47	1.47	1.84
XNL106-323216	2 X 2 X 1	1.91	1.60	1.60	1.98
XNL106-323220	2 X 2 X 1-1/4	2.20	1.77	1.77	2.04
XNL106-323224	2 X 2 X 1-1/2	3.08	2.02	2.02	2.16



*Conforms with lead content requirements for lead-free plumbing as defined by the U.S. Safe Drinking Water Act. Certified <0.25 weighted average % lead.

MERIT BRASS

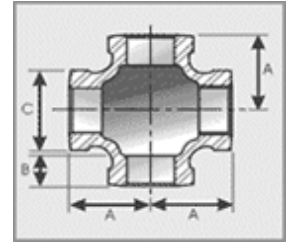
DIRECTING THE FLOW OF *Quality*

DIMENSIONAL SPECIFICATIONS

LEAD-FREE IMPORT BRASS FITTINGS* 125 LB.

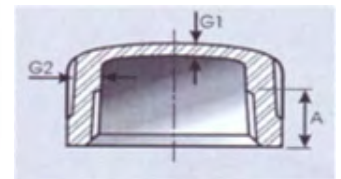
CROSS

Part #	Size (IN.)	Approx. Net WT. (LB.)	A	B	C
XNL110-04	1/4	0.20	0.72	0.34	0.81
XNL110-08	1/2	0.44	1.03	0.45	1.17
XNL110-12	3/4	0.68	1.19	0.52	1.42
XNL110-16	1	1.08	1.43	0.60	1.72
XNL110-24	1-1/2	1.97	1.87	0.70	2.38
XNL110-32	2	2.52	2.14	0.76	2.92



CAP

Part #	Size (IN.)	Approx. Net WT. (LB.)	G1	G2	A
XNL116-02	1/8	0.08	0.08	0.09	0.25
XNL116-04	1/4	0.07	0.08	0.10	0.32
XNL116-06	3/8	0.09	0.09	0.11	0.36
XNL116-08	1/2	0.13	0.09	0.12	0.45
XNL116-12	3/4	0.22	0.10	0.13	0.50
XNL116-16	1	0.40	0.11	0.15	0.58
XNL116-20	1-1/4	0.48	0.12	0.17	0.67
XNL116-24	1-1/2	0.72	0.13	0.19	0.70
XNL116-32	2	1.11	0.15	0.22	0.75
XNL116-40	2-1/2	1.75	0.17	0.25	0.92
XNL116-48	3	2.71	0.19	0.29	0.98
XNL116-64	4	4.64	0.22	0.36	1.08



*Conforms with lead content requirements for lead-free plumbing as defined by the U.S. Safe Drinking Water Act. Certified <0.25 weighted average % lead.



MERIT BRASS

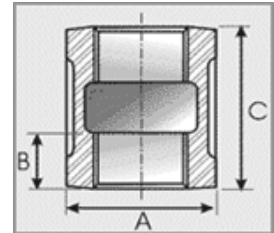
DIRECTING THE FLOW OF *Quality*

DIMENSIONAL SPECIFICATIONS

LEAD-FREE IMPORT BRASS FITTINGS* 125 LB.

COUPLING

Part #	Size (IN.)	Approx. Net WT. (LB.)	A	B	C
XNL111-02	1/8	0.06	0.56	0.26	0.80
XNL111-04	1/4	0.08	0.69	0.26	0.80
XNL111-06	3/8	0.14	0.84	0.36	1.05
XNL111-08	1/2	0.21	1.06	0.43	1.29
XNL111-12	3/4	0.30	1.31	0.50	1.43
XNL111-16	1	0.47	1.70	0.58	1.68
XNL111-20	1-1/4	0.56	2.03	0.67	1.86
XNL111-24	1-1/2	1.03	2.30	0.70	1.92
XNL111-32	2	1.06	2.81	0.75	2.20
XNL111-40	2-1/2	2.77	3.59	0.94	2.88
XNL111-48	3	2.75	4.16	0.98	3.18
XNL111-64	4	6.60	5.27	1.08	3.69



*Conforms with lead content requirements for lead-free plumbing as defined by the U.S. Safe Drinking Water Act. Certified <0.25 weighted average % lead.



MERIT BRASS

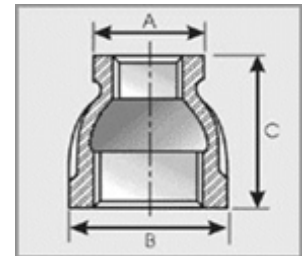
DIRECTING THE FLOW OF *Quality*

DIMENSIONAL SPECIFICATIONS

LEAD-FREE IMPORT BRASS FITTINGS* 125 LB.

REDUCING COUPLING

Part #	Size (IN.)	Approx. Net WT. (LB.)	A	B	C
XNL112-0402	1/4 X 1/8	0.08	0.67	0.81	0.88
XNL112-0602	3/8 X 1/8	0.65	0.67	1.00	0.92
XNL112-0604	3/8 X 1/4	0.12	0.81	1.00	0.92
XNL112-0802	1/2 X 1/8	0.15	0.67	1.17	1.17
XNL112-0804	1/2 X 1/4	0.17	0.81	1.17	1.17
XNL112-0806	1/2 X 3/8	0.17	1.00	1.17	1.17
XNL112-1204	3/4 X 1/4	0.23	0.81	1.42	1.35
XNL112-1206	3/4 X 3/8	0.24	1.00	1.42	1.35
XNL112-1208	3/4 X 1/2	0.26	1.17	1.42	1.35
XNL112-1606	1 X 3/8	0.41	1.00	1.72	1.56
XNL112-1608	1 X 1/2	0.39	1.17	1.72	1.56
XNL112-1612	1 X 3/4	0.45	1.42	1.72	1.56
XNL112-2008	1-1/4 X 1/2	0.59	1.17	2.10	1.77
XNL112-2012	1-1/4 X 3/4	0.67	1.42	2.10	1.77
XNL112-2016	1-1/4 X 1	0.72	1.72	2.10	1.77
XNL112-2408	1-1/2 X 1/2	0.85	1.17	2.38	1.80



*Conforms with lead content requirements for lead-free plumbing as defined by the U.S. Safe Drinking Water Act. Certified <0.25 weighted average % lead.



MERIT BRASS

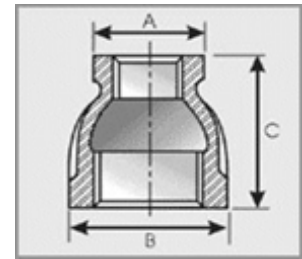
DIRECTING THE FLOW OF *Quality*

DIMENSIONAL SPECIFICATIONS

LEAD-FREE IMPORT BRASS FITTINGS* 125 LB.

REDUCING COUPLING CONTINUED

Part #	Size (IN.)	Approx. Net WT. (LB.)	A	B	C
XNL112-2412	1-1/2 X 3/4	0.92	1.42	2.38	1.80
XNL112-2416	1-1/2 X 1	0.90	1.72	2.38	1.80
XNL112-2420	1-1/2 X 1-1/4	0.99	2.10	2.38	1.80
XNL112-3208	2 X 1/2	1.28	1.17	2.92	2.03
XNL112-3212	2 X 3/4	1.25	1.42	2.92	2.03
XNL112-3216	2 X 1	1.39	1.72	2.92	2.03
XNL112-3220	2 X 1-1/4	1.05	2.10	2.92	2.03
XNL112-3224	2 X 1-1/2	1.74	2.38	2.92	2.03
XNL112-4020	2-1/2 X 1-1/4	2.08	2.10	3.49	3.25
XNL112-4024	2-1/2 X 1-1/2	1.94	2.38	3.49	3.25
XNL112-4032	2-1/2 X 2	2.11	2.92	3.49	3.25
XNL112-4824	3 X 1-1/2	2.35	2.92	4.20	3.69
XNL112-4832	3 X 2	2.40	2.92	4.20	3.69
XNL112-4840	3 X 2-1/2	2.40	3.49	4.20	3.69
XNL112-6448	4 X 3	4.58	4.20	5.31	4.38



*Conforms with lead content requirements for lead-free plumbing as defined by the U.S. Safe Drinking Water Act. Certified <0.25 weighted average % lead.



MERIT BRASS

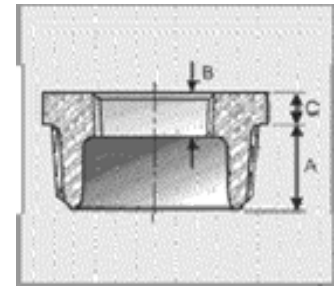
DIRECTING THE FLOW OF *Quality*

DIMENSIONAL SPECIFICATIONS

LEAD-FREE IMPORT BRASS FITTINGS* 125 LB.

HEX BUSHING

Part #	Size (IN.)	Approx. Net WT. (LB.)	A	B	C
XNL114-0802	1/2 X 1/8	0.10	0.56	0.25	0.19
XNL114-0804	1/2 X 1/4	0.09	0.56	0.32	0.19
XNL114-0806	1/2 X 3/8	0.07	0.56	0.41	0.19
XNL114-1202	3/4 X 1/8	0.17	0.63	0.38	0.25
XNL114-1204	3/4 X 1/4	0.17	0.63	0.32	0.22
XNL114-1206	3/4 X 3/8	0.16	0.63	0.36	0.22
XNL114-1208	3/4 X 1/2	0.11	0.63	0.53	0.22
XNL114-1604	1 X 1/4	0.24	0.75	0.32	0.30
XNL114-1606	1 X 3/8	0.22	0.75	0.36	0.30
XNL114-1608	1 X 1/2	0.21	0.75	0.43	0.25
XNL114-1612	1 X 3/4	0.24	0.75	0.50	0.25
XNL114-2004	1-1/4 X 1/4	0.34	0.80	0.32	0.34
XNL114-2006	1-1/4 X 3/8	0.40	0.81	0.38	0.34
XNL114-2008	1-1/4 X 1/2	0.47	0.80	0.43	0.34
XNL114-2012	1-1/4 X 3/4	0.41	0.80	0.50	0.28
XNL114-2016	1-1/4 X 1	0.39	0.80	0.58	0.28
XNL114-2404	1-1/2 X 1/4	0.43	0.81	0.32	0.34
XNL114-2406	1-1/2 X 3/8	0.45	0.81	0.36	0.34



*Conforms with lead content requirements for lead-free plumbing as defined by the U.S. Safe Drinking Water Act. Certified <0.25 weighted average % lead.



MERIT BRASS

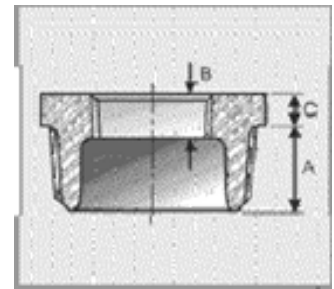
DIRECTING THE FLOW OF *Quality*

DIMENSIONAL SPECIFICATIONS

LEAD-FREE IMPORT BRASS FITTINGS* 125 LB.

HEX BUSHING CONTINUED

Part #	Size (IN.)	Approx. Net WT. (LB.)	A	B	C
XNL114-2408	1-1/2 X 1/2	0.72	0.83	0.43	0.37
XNL114-2412	1-1/2 X 3/4	0.50	0.83	0.50	0.37
XNL114-2416	1-1/2 X 1	0.49	0.83	0.58	0.31
XNL114-2420	1-1/2 X 1-1/4	0.43	0.83	0.71	0.31
XNL114-3208	2 X 1/2	1.10	0.88	0.43	0.43
XNL114-3212	2 X 3/4	1.15	0.88	0.50	0.43
XNL114-3216	2 X 1	1.02	0.88	0.58	0.41
XNL114-3220	2 X 1-1/4	0.87	0.88	0.67	0.34
XNL114-3224	2 X 1-1/2	0.81	0.88	0.70	0.34
XNL114-4016	2-1/2 X 1	1.76	1.09	0.59	0.44
XNL114-4020	2-1/2 X 1-1/4	1.67	1.09	0.69	0.44
XNL114-4024	2-1/2 X 1-1/2	1.15	1.09	0.72	0.44
XNL114-4032	2-1/2 X 2	5.98	1.07	0.75	0.37
XNL114-4824	3 X 1-1/2	2.44	1.13	0.72	0.50
XNL114-4832	3 X 2	1.70	1.13	0.75	0.48
XNL114-4840	3 X 2-1/2	1.69	1.13	0.92	0.40
XNL114-6432	4 X 2	3.16	1.22	0.75	0.60
XNL114-6448	4 X 3	3.74	1.22	0.98	0.50



*Conforms with lead content requirements for lead-free plumbing as defined by the U.S. Safe Drinking Water Act. Certified <0.25 weighted average % lead.

MERIT BRASS

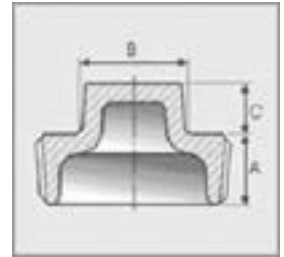
DIRECTING THE FLOW OF *Quality*

DIMENSIONAL SPECIFICATIONS

LEAD-FREE IMPORT BRASS FITTINGS* 125 LB.

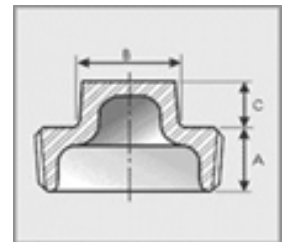
SQUARE HEAD CORED PLUG

Part #	Size (IN.)	Approx. Net WT. (LB.)	A	B	C
XNL117-08	1/2	0.11	0.54	0.56	0.38
XNL117-12	3/4	0.16	0.55	0.63	0.44
XNL117-16	1	0.25	0.69	0.81	0.50
XNL117-20	1-1/4	0.38	0.71	0.94	0.56
XNL117-24	1-1/2	0.52	0.73	1.13	0.62
XNL117-32	2	0.83	0.76	1.31	0.68
XNL117-40	2-1/2	1.26	1.07	1.50	0.74
XNL117-48	3	1.49	1.13	1.69	0.80
XNL117-64	4	3.20	1.22	2.25	0.92



SQUARE HEAD SOLID PLUG

Part #	Size (IN.)	Approx. Net WT. (LB.)	A	B	C
XNL117A-06	3/8	0.07	0.41	0.44	0.31
XNL117A-08	1/2	0.12	0.54	0.56	0.38
XNL117A-12	3/4	0.18	0.55	0.63	0.44
XNL117A-16	1	0.38	0.69	0.81	0.50
XNL117A-20	1-1/4	0.59	0.71	0.94	0.56
XNL117A-24	1-1/2	0.89	0.73	1.13	0.62
XNL117A-32	2	1.39	0.76	1.31	0.68
XNL117A-40	2-1/2	2.35	1.07	1.50	0.74
XNL117A-48	3	3.59	1.13	1.69	0.80
XNL117A-64	4	6.82	1.22	2.25	0.92



*Conforms with lead content requirements for lead-free plumbing as defined by the U.S. Safe Drinking Water Act. Certified <0.25 weighted average % lead.



MERIT BRASS

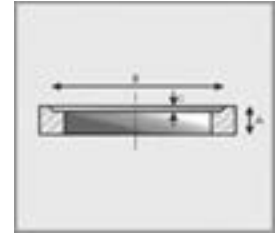
DIRECTING THE FLOW OF *Quality*

DIMENSIONAL SPECIFICATIONS

LEAD-FREE IMPORT BRASS FITTINGS* 125 LB.

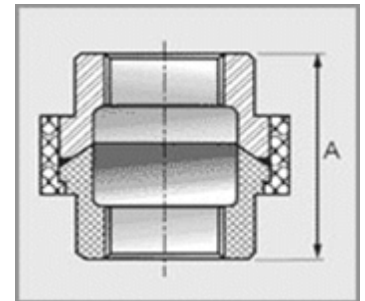
HEX LOCKNUT

Part #	Size (IN.)	Approx. Net WT. (LB.)	A	B	C
XNL119-02	1/8	0.03	0.19	0.50	0.04
XNL119-04	1/4	0.03	0.25	0.66	0.06
XNL119-06	3/8	0.04	0.28	0.77	0.06
XNL119-08	1/2	0.10	0.31	0.97	0.06
XNL119-12	3/4	0.13	0.34	1.23	0.06
XNL119-16	1	0.20	0.38	1.50	0.06
XNL119-20	1-1/4	0.29	0.42	1.86	0.06
XNL119-24	1-1/2	0.52	0.47	2.12	0.06
XNL119-32	2	0.64	0.53	2.63	0.09



UNION

Part #	Size (IN.)	Approx. Net WT. (LB.)	A
XNL187-02	1/8	0.13	1.17
XNL187-04	1/4	0.22	1.25
XNL187-06	3/8	0.39	1.48
XNL187-08	1/2	0.47	1.56
XNL187-12	3/4	0.69	1.87
XNL187-16	1	1.03	2.11
XNL187-20	1-1/4	1.52	2.34
XNL187-24	1-1/2	2.09	2.65
XNL187-32	2	3.12	2.96
XNL187-40	2-1/2	5.39	3.32
XNL187-48	3	6.49	3.71
XNL187-64	4	5.20	4.60



*Conforms with lead content requirements for lead-free plumbing as defined by the U.S. Safe Drinking Water Act. Certified <0.25 weighted average % lead.

MERIT BRASS

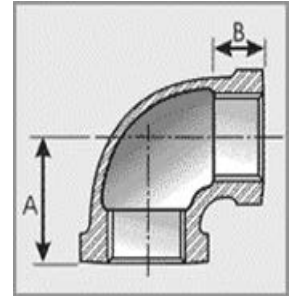
DIRECTING THE FLOW OF *Quality*

DIMENSIONAL SPECIFICATIONS

LEAD-FREE IMPORT BRASS FITTINGS* 125 LB.

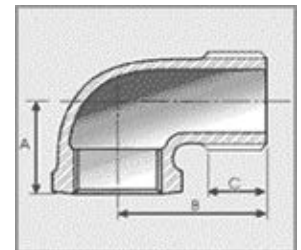
90 DEGREE ELBOW

Part#	Size (IN.)	Approx. Net WT. (LB.)	A	B
XNL101-02	1/8	0.08	0.55	0.26
XNL101-04	1/4	0.10	0.72	0.35
XNL101-06	3/8	0.17	0.83	0.37
XNL101-08	1/2	0.24	1.03	0.45
XNL101-12	3/4	0.40	1.19	0.52
XNL101-16	1	0.64	1.43	0.60
XNL101-20	1-1/4	0.96	1.71	0.67
XNL101-24	1-1/2	1.16	1.87	0.70
XNL101-32	2	2.07	2.14	0.76
XNL101-40	2-1/2	3.83	2.74	0.93
XNL101-48	3	4.62	3.10	1.00
XNL101-64	4	7.70	3.80	1.10



90 DEGREE STREET ELBOW

Part #	Size (IN.)	Approx. Net WT. (LB.)	A	B	C
XNL103-02	1/8	0.07	0.55	0.92	0.28
XNL103-04	1/4	0.11	0.72	1.11	0.32
XNL103-06	3/8	0.16	0.83	1.24	0.35
XNL103-08	1/2	0.24	1.03	1.51	0.45
XNL103-12	3/4	0.36	1.19	1.66	0.50
XNL103-16	1	0.62	1.43	1.98	0.58
XNL103-20	1-1/4	1.03	1.71	2.26	0.67
XNL103-24	1-1/2	1.27	1.87	2.46	0.75
XNL103-32	2	2.09	2.14	2.98	0.78
XNL103-40	2-1/2	4.05	2.74	3.92	0.92
XNL103-48	3	6.38	3.10	4.45	0.98
XNL103-64	4	11.44	3.80	5.63	1.08



*Conforms with lead content requirements for lead-free plumbing as defined by the U.S. Safe Drinking Water Act. Certified <0.25 weighted average % lead.



MERIT BRASS

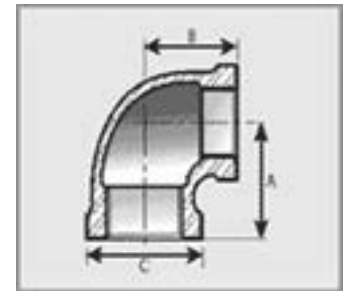
DIRECTING THE FLOW OF *Quality*

DIMENSIONAL SPECIFICATIONS

LEAD-FREE IMPORT BRASS FITTINGS* 125 LB.

90 DEGREE REDUCING ELBOW

Part #	Size (IN.)	Approx. Net WT. (LB.)	A	B	C
XNL101-0402	1/4 X 1/8	0.09	0.67	0.81	0.88
XNL101-0604	3/8 X 1/4	0.15	0.81	1.00	0.92
XNL101-0806	1/2 X 3/8	0.23	0.81	1.17	1.17
XNL101-1204	3/4 X 1/4	0.26	0.81	1.42	1.35
XNL101-1206	3/4 X 3/8	0.30	1.00	1.42	1.35
XNL101-1208	3/4 X 1/2	0.31	1.17	1.42	1.35
XNL101-1608	1 X 1/2	0.53	1.17	1.72	1.56
XNL101-1612	1 X 3/4	0.59	1.42	1.72	1.56
XNL101-2012	1-1/4 X 3/4	0.73	1.42	2.10	1.77
XNL101-2016	1-1/4 X 1	0.88	1.72	2.10	1.77
XNL101-2412	1-1/2 X 3/4	1.00	1.72	2.10	1.77
XNL101-2416	1-1/2 X 1	0.99	1.72	2.38	1.80
XNL101-2420	1-1/2 X 1-1/4	1.22	2.10	2.38	1.80
XNL101-3212	2 X 3/4	1.21	2.10	2.92	2.03
XNL101-3216	2 X 1	1.30	2.10	2.92	2.03
XNL101-3220	2 X 1-1/4	1.51	2.10	2.92	2.03
XNL101-3224	2 X 1-1/2	1.69	2.38	2.92	2.03
XNL101-4032	2-1/2 X 2	1.21	2.92	3.49	3.15
XNL101-4840	3 X 2-1/2	4.09	3.49	4.20	3.69



*Conforms with lead content requirements for lead-free plumbing as defined by the U.S. Safe Drinking Water Act. Certified <0.25 weighted average % lead.



MERIT BRASS

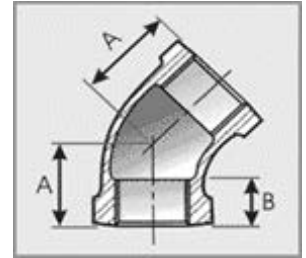
DIRECTING THE FLOW OF *Quality*

DIMENSIONAL SPECIFICATIONS

LEAD-FREE IMPORT BRASS FITTINGS* 125 LB.

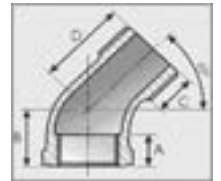
45 DEGREE ELBOW

Part #	Size (IN.)	Approx. Net WT. (LB.)	A	B
XNL102-02	1/8	0.08	0.43	0.43
XNL102-04	1/4	0.11	0.55	0.55
XNL102-06	3/8	0.12	0.63	0.63
XNL102-08	1/2	0.25	0.79	0.79
XNL102-12	3/4	0.34	0.91	0.91
XNL102-16	1	0.54	1.07	1.07
XNL102-20	1-1/4	0.90	1.23	1.23
XNL102-24	1-1/2	1.03	1.31	1.31
XNL102-32	2	1.54	1.47	1.47
XNL102-40	2-1/2	3.30	1.98	1.98
XNL102-48	3	3.52	2.18	2.18
XNL102-64	4	8.01	2.62	2.62



45 DEGREE STREET ELBOW

Part #	Size (IN.)	Approx. Net WT. (LB.)	A	B	C	D
XNL103A-02	1/8	0.06	0.26	0.43	0.28	0.79
XNL103A-08	1/2	0.29	0.45	0.79	0.45	1.07
XNL103A-12	3/4	0.31	0.52	0.91	0.50	1.23
XNL103A-16	1	0.52	0.60	1.07	0.58	1.42
XNL103A-20	1-1/4	0.90	0.67	1.23	0.67	1.65
XNL103A-24	1-1/2	0.97	0.70	1.31	0.75	1.83
XNL103A-32	2	2.04	0.76	1.47	0.78	2.14



*Conforms with lead content requirements for lead-free plumbing as defined by the U.S. Safe Drinking Water Act. Certified <0.25 weighted average % lead.



MERIT BRASS

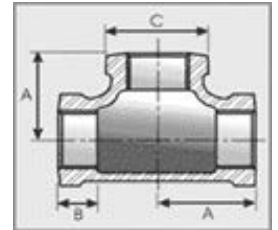
DIRECTING THE FLOW OF *Quality*

DIMENSIONAL SPECIFICATIONS

LEAD-FREE IMPORT BRASS FITTINGS* 125 LB.

TEE

Part #	Size (IN.)	Approx. Net WT. (LB.)	A	B	C
XNL106-02	1/8	0.09	0.55	0.26	0.67
XNL106-04	1/4	0.16	0.72	0.35	0.81
XNL106-06	3/8	0.25	0.83	0.37	1.00
XNL106-08	1/2	0.34	1.03	0.45	1.17
XNL106-12	3/4	0.52	1.19	0.52	1.42
XNL106-16	1	0.86	1.43	0.60	1.72
XNL106-20	1-1/4	1.18	1.71	0.67	2.10
XNL106-24	1-1/2	1.56	1.87	0.70	2.38
XNL106-32	2	2.62	2.14	0.76	2.92
XNL106-40	2-1/2	5.28	2.74	0.93	3.49
XNL106-48	3	5.98	3.10	1.00	4.20
XNL106-64	4	13.28	3.80	1.10	5.31



*Conforms with lead content requirements for lead-free plumbing as defined by the U.S. Safe Drinking Water Act. Certified <0.25 weighted average % lead.

MERIT BRASS

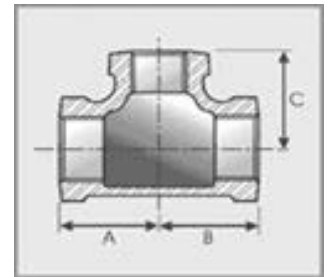
DIRECTING THE FLOW OF *Quality*

DIMENSIONAL SPECIFICATIONS

LEAD-FREE IMPORT BRASS FITTINGS* 125 LB.

REDUCING TEE

Part #	Size (IN.)	Approx. Net WT. (LB.)	A	B	C
XNL106-040402	1/4 X 1/4 X 1/8	0.11	0.65	0.65	0.60
XNL106-060604	3/8 X 3/8 X 1/4	0.19	0.75	0.75	0.78
XNL106-080804	1/2 X 1/2 X 1/4	0.28	0.87	0.87	0.87
XNL106-080806	1/2 X 1/2 X 3/8	0.29	0.93	0.93	0.90
XNL106-080812	1/2 X 1/2 X 3/4	0.43	1.22	1.22	1.20
XNL106-120808	3/4 X 1/2 X 1/2	0.43	1.20	1.12	1.22
XNL106-120812	3/4 X 1/2 X 3/4	0.49	1.37	1.31	1.45
XNL106-121206	3/4 X 3/4 X 3/8	0.46	1.00	1.00	1.00
XNL106-121208	3/4 X 3/4 X 1/2	0.53	1.08	1.08	1.11
XNL106-121216	3/4 X 3/4 X 1	0.70	1.22	1.22	1.20
XNL106-160808	1 X 1/2 X 1/2	0.53	1.31	1.22	1.31
XNL106-161208	1 X 3/4 X 1/2	0.67	1.26	1.20	1.36
XNL106-161212	1 X 3/4 X 3/4	0.67	1.37	1.31	1.45
XNL106-161604	1 X 1 X 1/4	0.73	1.04	1.04	1.13
XNL106-161608	1 X 1 X 1/2	0.73	1.20	1.20	1.24
XNL106-161612	1 X 1 X 3/4	0.83	1.30	1.30	1.31
XNL106-202012	1-1/4 X 1-1/4 X 3/4	1.03	1.30	1.30	1.31
XNL106-202016	1-1/4 X 1-1/4 X 1	1.03	1.58	1.58	1.67
XNL106-242408	1-1/2 X 1-1/2 X 1/2	1.11	1.32	1.32	1.53
XNL106-242412	1-1/2 X 1-1/2 X 3/4	1.23	1.42	1.42	1.60
XNL106-242416	1-1/2 X 1-1/2 X 1	1.31	1.55	1.55	1.72
XNL106-242420	1-1/2 X 1-1/2 X 1-1/4	1.52	1.72	1.72	1.81
XNL106-323208	2 X 2 X 1/2	1.65	1.49	1.49	1.88
XNL106-323212	2 X 2 X 3/4	1.87	1.47	1.47	1.84
XNL106-323216	2 X 2 X 1	1.91	1.60	1.60	1.98
XNL106-323220	2 X 2 X 1-1/4	2.20	1.77	1.77	2.04
XNL106-323224	2 X 2 X 1-1/2	3.08	2.02	2.02	2.16



*Conforms with lead content requirements for lead-free plumbing as defined by the U.S. Safe Drinking Water Act. Certified <0.25 weighted average % lead.

MERIT BRASS

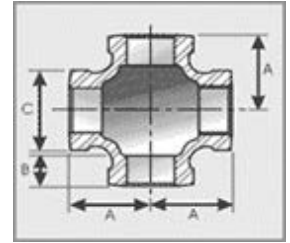
DIRECTING THE FLOW OF *Quality*

DIMENSIONAL SPECIFICATIONS

LEAD-FREE IMPORT BRASS FITTINGS* 125 LB.

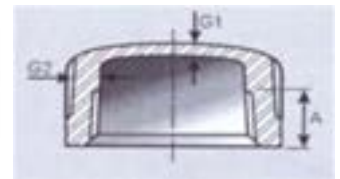
CROSS

Part #	Size (IN.)	Approx. Net WT. (LB.)	A	B	C
XNL110-04	1/4	0.20	0.72	0.34	0.81
XNL110-08	1/2	0.44	1.03	0.45	1.17
XNL110-12	3/4	0.68	1.19	0.52	1.42
XNL110-16	1	1.08	1.43	0.60	1.72
XNL110-24	1-1/2	1.97	1.87	0.70	2.38
XNL110-32	2	2.52	2.14	0.76	2.92



CAP

Part #	Size (IN.)	Approx. Net WT. (LB.)	G1	G2	A
XNL116-02	1/8	0.08	0.08	0.09	0.25
XNL116-04	1/4	0.07	0.08	0.10	0.32
XNL116-06	3/8	0.09	0.09	0.11	0.36
XNL116-08	1/2	0.13	0.09	0.12	0.45
XNL116-12	3/4	0.22	0.10	0.13	0.50
XNL116-16	1	0.40	0.11	0.15	0.58
XNL116-20	1-1/4	0.48	0.12	0.17	0.67
XNL116-24	1-1/2	0.72	0.13	0.19	0.70
XNL116-32	2	1.11	0.15	0.22	0.75
XNL116-40	2-1/2	1.75	0.17	0.25	0.92
XNL116-48	3	2.71	0.19	0.29	0.98
XNL116-64	4	4.64	0.22	0.36	1.08



*Conforms with lead content requirements for lead-free plumbing as defined by the U.S. Safe Drinking Water Act. Certified <0.25 weighted average % lead.



MERIT BRASS

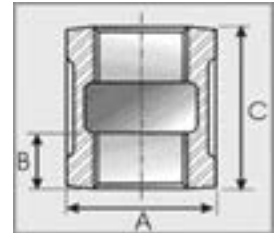
DIRECTING THE FLOW OF *Quality*

DIMENSIONAL SPECIFICATIONS

LEAD-FREE IMPORT BRASS FITTINGS* 125 LB.

COUPLING

Part #	Size (IN.)	Approx. Net WT. (LB.)	A	B	C
XNL111-02	1/8	0.06	0.56	0.26	0.80
XNL111-04	1/4	0.08	0.69	0.26	0.80
XNL111-06	3/8	0.14	0.84	0.36	1.05
XNL111-08	1/2	0.21	1.06	0.43	1.29
XNL111-12	3/4	0.30	1.31	0.50	1.43
XNL111-16	1	0.47	1.70	0.58	1.68
XNL111-20	1-1/4	0.56	2.03	0.67	1.86
XNL111-24	1-1/2	1.03	2.30	0.70	1.92
XNL111-32	2	1.06	2.81	0.75	2.20
XNL111-40	2-1/2	2.77	3.59	0.94	2.88
XNL111-48	3	2.75	4.16	0.98	3.18
XNL111-64	4	6.60	5.27	1.08	3.69



*Conforms with lead content requirements for lead-free plumbing as defined by the U.S. Safe Drinking Water Act. Certified <0.25 weighted average % lead.



MERIT BRASS

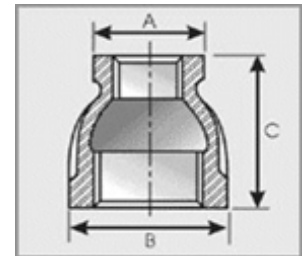
DIRECTING THE FLOW OF *Quality*

DIMENSIONAL SPECIFICATIONS

LEAD-FREE IMPORT BRASS FITTINGS* 125 LB.

REDUCING COUPLING

Part #	Size (IN.)	Approx. Net WT. (LB.)	A	B	C
XNL112-0402	1/4 X 1/8	0.08	0.67	0.81	0.88
XNL112-0602	3/8 X 1/8	0.65	0.67	1.00	0.92
XNL112-0604	3/8 X 1/4	0.12	0.81	1.00	0.92
XNL112-0802	1/2 X 1/8	0.15	0.67	1.17	1.17
XNL112-0804	1/2 X 1/4	0.17	0.81	1.17	1.17
XNL112-0806	1/2 X 3/8	0.17	1.00	1.17	1.17
XNL112-1204	3/4 X 1/4	0.23	0.81	1.42	1.35
XNL112-1206	3/4 X 3/8	0.24	1.00	1.42	1.35
XNL112-1208	3/4 X 1/2	0.26	1.17	1.42	1.35
XNL112-1606	1 X 3/8	0.41	1.00	1.72	1.56
XNL112-1608	1 X 1/2	0.39	1.17	1.72	1.56
XNL112-1612	1 X 3/4	0.45	1.42	1.72	1.56
XNL112-2008	1-1/4 X 1/2	0.59	1.17	2.10	1.77
XNL112-2012	1-1/4 X 3/4	0.67	1.42	2.10	1.77
XNL112-2016	1-1/4 X 1	0.72	1.72	2.10	1.77
XNL112-2408	1-1/2 X 1/2	0.85	1.17	2.38	1.80



*Conforms with lead content requirements for lead-free plumbing as defined by the U.S. Safe Drinking Water Act. Certified <0.25 weighted average % lead.



MERIT BRASS

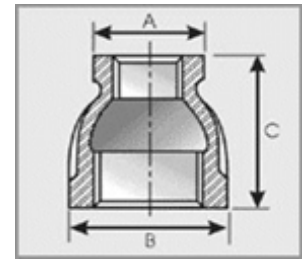
DIRECTING THE FLOW OF *Quality*

DIMENSIONAL SPECIFICATIONS

LEAD-FREE IMPORT BRASS FITTINGS* 125 LB.

REDUCING COUPLING CONTINUED

Part #	Size (IN.)	Approx. Net WT. (LB.)	A	B	C
XNL112-2412	1-1/2 X 3/4	0.92	1.42	2.38	1.80
XNL112-2416	1-1/2 X 1	0.90	1.72	2.38	1.80
XNL112-2420	1-1/2 X 1-1/4	0.99	2.10	2.38	1.80
XNL112-3208	2 X 1/2	1.28	1.17	2.92	2.03
XNL112-3212	2 X 3/4	1.25	1.42	2.92	2.03
XNL112-3216	2 X 1	1.39	1.72	2.92	2.03
XNL112-3220	2 X 1-1/4	1.05	2.10	2.92	2.03
XNL112-3224	2 X 1-1/2	1.74	2.38	2.92	2.03
XNL112-4020	2-1/2 X 1-1/4	2.08	2.10	3.49	3.25
XNL112-4024	2-1/2 X 1-1/2	1.94	2.38	3.49	3.25
XNL112-4032	2-1/2 X 2	2.11	2.92	3.49	3.25
XNL112-4824	3 X 1-1/2	2.35	2.92	4.20	3.69
XNL112-4832	3 X 2	2.40	2.92	4.20	3.69
XNL112-4840	3 X 2-1/2	2.40	3.49	4.20	3.69
XNL112-6448	4 X 3	4.58	4.20	5.31	4.38



*Conforms with lead content requirements for lead-free plumbing as defined by the U.S. Safe Drinking Water Act. Certified <0.25 weighted average % lead.



MERIT BRASS

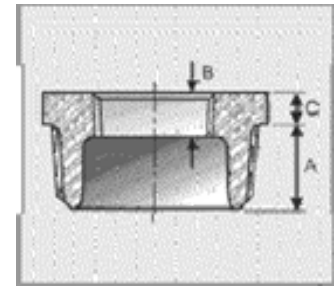
DIRECTING THE FLOW OF *Quality*

DIMENSIONAL SPECIFICATIONS

LEAD-FREE IMPORT BRASS FITTINGS* 125 LB.

HEX BUSHING

Part #	Size (IN.)	Approx. Net WT. (LB.)	A	B	C
XNL114-0802	1/2 X 1/8	0.10	0.56	0.25	0.19
XNL114-0804	1/2 X 1/4	0.09	0.56	0.32	0.19
XNL114-0806	1/2 X 3/8	0.07	0.56	0.41	0.19
XNL114-1202	3/4 X 1/8	0.17	0.63	0.38	0.25
XNL114-1204	3/4 X 1/4	0.17	0.63	0.32	0.22
XNL114-1206	3/4 X 3/8	0.16	0.63	0.36	0.22
XNL114-1208	3/4 X 1/2	0.11	0.63	0.53	0.22
XNL114-1604	1 X 1/4	0.24	0.75	0.32	0.30
XNL114-1606	1 X 3/8	0.22	0.75	0.36	0.30
XNL114-1608	1 X 1/2	0.21	0.75	0.43	0.25
XNL114-1612	1 X 3/4	0.24	0.75	0.50	0.25
XNL114-2004	1-1/4 X 1/4	0.34	0.80	0.32	0.34
XNL114-2006	1-1/4 X 3/8	0.40	0.81	0.38	0.34
XNL114-2008	1-1/4 X 1/2	0.47	0.80	0.43	0.34
XNL114-2012	1-1/4 X 3/4	0.41	0.80	0.50	0.28
XNL114-2016	1-1/4 X 1	0.39	0.80	0.58	0.28
XNL114-2404	1-1/2 X 1/4	0.43	0.81	0.32	0.34
XNL114-2406	1-1/2 X 3/8	0.45	0.81	0.36	0.34



*Conforms with lead content requirements for lead-free plumbing as defined by the U.S. Safe Drinking Water Act. Certified <0.25 weighted average % lead.



MERIT BRASS

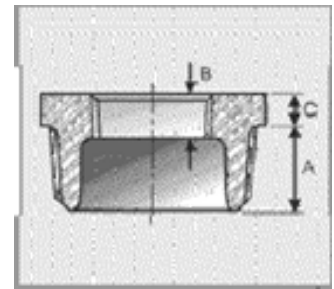
DIRECTING THE FLOW OF *Quality*

DIMENSIONAL SPECIFICATIONS

LEAD-FREE IMPORT BRASS FITTINGS* 125 LB.

HEX BUSHING CONTINUED

Part #	Size (IN.)	Approx. Net WT. (LB.)	A	B	C
XNL114-2408	1-1/2 X 1/2	0.72	0.83	0.43	0.37
XNL114-2412	1-1/2 X 3/4	0.50	0.83	0.50	0.37
XNL114-2416	1-1/2 X 1	0.49	0.83	0.58	0.31
XNL114-2420	1-1/2 X 1-1/4	0.43	0.83	0.71	0.31
XNL114-3208	2 X 1/2	1.10	0.88	0.43	0.43
XNL114-3212	2 X 3/4	1.15	0.88	0.50	0.43
XNL114-3216	2 X 1	1.02	0.88	0.58	0.41
XNL114-3220	2 X 1-1/4	0.87	0.88	0.67	0.34
XNL114-3224	2 X 1-1/2	0.81	0.88	0.70	0.34
XNL114-4016	2-1/2 X 1	1.76	1.09	0.59	0.44
XNL114-4020	2-1/2 X 1-1/4	1.67	1.09	0.69	0.44
XNL114-4024	2-1/2 X 1-1/2	1.15	1.09	0.72	0.44
XNL114-4032	2-1/2 X 2	5.98	1.07	0.75	0.37
XNL114-4824	3 X 1-1/2	2.44	1.13	0.72	0.50
XNL114-4832	3 X 2	1.70	1.13	0.75	0.48
XNL114-4840	3 X 2-1/2	1.69	1.13	0.92	0.40
XNL114-6432	4 X 2	3.16	1.22	0.75	0.60
XNL114-6448	4 X 3	3.74	1.22	0.98	0.50



*Conforms with lead content requirements for lead-free plumbing as defined by the U.S. Safe Drinking Water Act. Certified <0.25 weighted average % lead.

MERIT BRASS

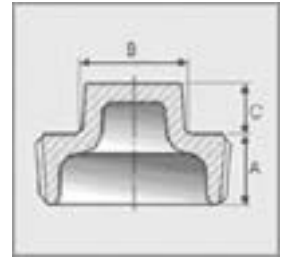
DIRECTING THE FLOW OF *Quality*

DIMENSIONAL SPECIFICATIONS

LEAD-FREE IMPORT BRASS FITTINGS* 125 LB.

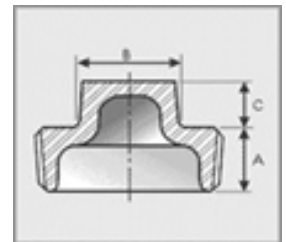
SQUARE HEAD CORED PLUG

Part #	Size (IN.)	Approx. Net WT. (LB.)	A	B	C
XNL117-08	1/2	0.11	0.54	0.56	0.38
XNL117-12	3/4	0.16	0.55	0.63	0.44
XNL117-16	1	0.25	0.69	0.81	0.50
XNL117-20	1-1/4	0.38	0.71	0.94	0.56
XNL117-24	1-1/2	0.52	0.73	1.13	0.62
XNL117-32	2	0.83	0.76	1.31	0.68
XNL117-40	2-1/2	1.26	1.07	1.50	0.74
XNL117-48	3	1.49	1.13	1.69	0.80
XNL117-64	4	3.20	1.22	2.25	0.92



SQUARE HEAD SOLID PLUG

Part #	Size (IN.)	Approx. Net WT. (LB.)	A	B	C
XNL117A-06	3/8	0.07	0.41	0.44	0.31
XNL117A-08	1/2	0.12	0.54	0.56	0.38
XNL117A-12	3/4	0.18	0.55	0.63	0.44
XNL117A-16	1	0.38	0.69	0.81	0.50
XNL117A-20	1-1/4	0.59	0.71	0.94	0.56
XNL117A-24	1-1/2	0.89	0.73	1.13	0.62
XNL117A-32	2	1.39	0.76	1.31	0.68
XNL117A-40	2-1/2	2.35	1.07	1.50	0.74
XNL117A-48	3	3.59	1.13	1.69	0.80
XNL117A-64	4	6.82	1.22	2.25	0.92



*Conforms with lead content requirements for lead-free plumbing as defined by the U.S. Safe Drinking Water Act. Certified <0.25 weighted average % lead.



MERIT BRASS

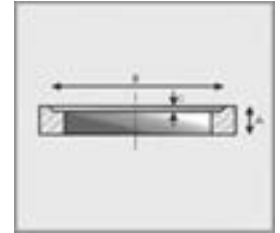
DIRECTING THE FLOW OF *Quality*

DIMENSIONAL SPECIFICATIONS

LEAD-FREE IMPORT BRASS FITTINGS* 125 LB.

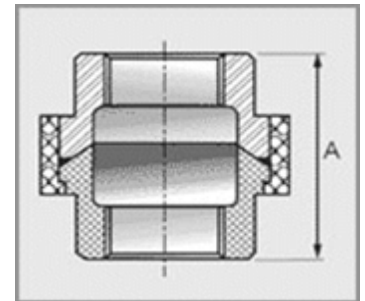
HEX LOCKNUT

Part #	Size (IN.)	Approx. Net WT. (LB.)	A	B	C
XNL119-02	1/8	0.03	0.19	0.50	0.04
XNL119-04	1/4	0.03	0.25	0.66	0.06
XNL119-06	3/8	0.04	0.28	0.77	0.06
XNL119-08	1/2	0.10	0.31	0.97	0.06
XNL119-12	3/4	0.13	0.34	1.23	0.06
XNL119-16	1	0.20	0.38	1.50	0.06
XNL119-20	1-1/4	0.29	0.42	1.86	0.06
XNL119-24	1-1/2	0.52	0.47	2.12	0.06
XNL119-32	2	0.64	0.53	2.63	0.09



UNION

Part #	Size (IN.)	Approx. Net WT. (LB.)	A
XNL187-02	1/8	0.13	1.17
XNL187-04	1/4	0.22	1.25
XNL187-06	3/8	0.39	1.48
XNL187-08	1/2	0.47	1.56
XNL187-12	3/4	0.69	1.87
XNL187-16	1	1.03	2.11
XNL187-20	1-1/4	1.52	2.34
XNL187-24	1-1/2	2.09	2.65
XNL187-32	2	3.12	2.96
XNL187-40	2-1/2	5.39	3.32
XNL187-48	3	6.49	3.71
XNL187-64	4	5.20	4.60



*Conforms with lead content requirements for lead-free plumbing as defined by the U.S. Safe Drinking Water Act. Certified <0.25 weighted average % lead.

MERIT BRASS

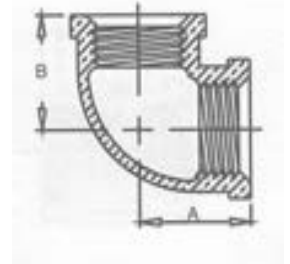
DIRECTING THE FLOW OF *Quality*

DIMENSIONAL SPECIFICATIONS

LEADED IMPORT BRASS FITTINGS** 125 LB.

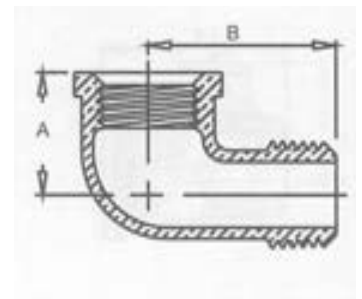
90 DEGREE ELBOW

Part #	Size (IN.)	Approx. Net WT. (LB.)	A	B
X101-02	1/8	0.07	0.54	0.54
X101-04	1/4	0.13	0.71	0.71
X101-06	3/8	0.17	0.82	0.82
X101-08	1/2	0.22	1.01	1.01
X101-12	3/4	0.37	1.18	1.18
X101-16	1	0.52	1.43	1.43
X101-20	1-1/4	0.96	1.69	1.69
X101-24	1-1/2	1.16	1.84	1.84
X101-32	2	2.07	2.12	2.12
X101-40	2-1/2	3.83	2.70	2.70
X101-48	3	4.62	3.08	3.08
X101-64	4	7.70	3.79	3.79



90 DEGREE STREET ELBOW

Part #	Size (IN.)	Approx. Net WT. (LB.)	A	B
X103-02	1/8	0.06	0.55	0.92
X103-04	1/4	0.11	0.72	1.11
X103-06	3/8	0.17	0.83	1.24
X103-08	1/2	0.21	1.03	1.51
X103-12	3/4	0.31	1.19	1.66
X103-16	1	0.63	1.43	1.98
X103-20	1-1/4	1.03	1.71	2.26
X103-24	1-1/2	1.27	1.87	2.46
X103-32	2	2.09	2.14	2.98
X103-40	2-1/2	4.05	2.74	3.92
X103-48	3	6.38	3.10	4.45



** ⚠ **WARNING:** This product can expose you to Lead, which is known to the State of California to cause cancer and birth defects or other reproductive harm. For more information go to www.P65Warnings.ca.gov. This product is not for use in potable water.

MERIT BRASS

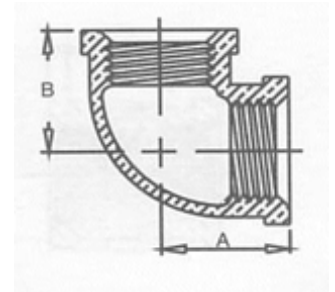
DIRECTING THE FLOW OF *Quality*

DIMENSIONAL SPECIFICATIONS

LEADED IMPORT BRASS FITTINGS** 125 LB.

90 DEGREE REDUCING ELBOW

Part #	Size (IN.)	Approx. Net WT. (LB.)	A	B
X101-0402	1/4 X 1/8	0.10	0.65	0.60
X101-0604	3/8 X 1/4	0.15	0.75	0.75
X101-0804	1/2 X 1/4	0.19	1.78	1.69
X101-0806	1/2 X 3/8	0.23	0.93	0.90
X101-1204	3/4 X 1/4	0.26	1.00	1.00
X101-1206	3/4 X 3/8	0.30	0.97	0.97
X101-1208	3/4 X 1/2	0.31	1.08	1.11
X101-1608	1 X 1/2	0.53	1.20	1.24
X101-1612	1 X 3/4	0.59	1.30	1.31
X101-2008	1-1/4 X 1/2	0.61	1.25	1.38
X101-2016	1-1/4 X 1	0.81	1.52	1.60
X101-2412	1-1/2 X 3/4	0.83	1.50	1.75
X101-2416	1-1/2 X 1	0.98	1.55	1.72
X101-2420	1-1/2 X 1-1/4	1.22	1.72	1.81
X101-3208	2 X 1/2	1.10	1.17	2.92
X101-3216	2 X 1	1.30	1.56	1.94
X101-3220	2 X 1-1/4	1.51	1.75	2.06
X101-3224	2 X 1-1/2	1.69	1.89	2.07
X101-4032	2-1/2 X 2	2.99	2.39	2.60
X101-4832	3 X 2	3.63	2.50	2.88
X101-4840	3 X 2-1/2	4.09	2.83	2.99



** ⚠️ **WARNING:** This product can expose you to Lead, which is known to the State of California to cause cancer and birth defects or other reproductive harm. For more information go to www.P65Warnings.ca.gov. This product is not for use in potable water.

**MERIT
BRASS**

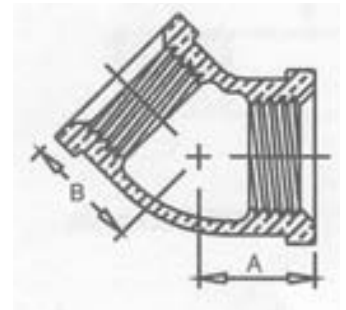
DIRECTING THE FLOW OF *Quality*

DIMENSIONAL SPECIFICATIONS

LEADED IMPORT BRASS FITTINGS** 125 LB.

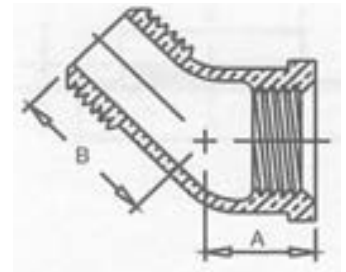
45 DEGREE ELBOW

Part #	Size (IN.)	Approx. Net WT. (LB.)	A	B
X102-02	1/8	0.07	0.43	0.43
X102-04	1/4	0.11	0.55	0.55
X102-06	3/8	0.12	0.63	0.63
X102-08	1/2	0.25	0.79	0.79
X102-12	3/4	0.34	0.91	0.91
X102-16	1	0.54	1.07	1.07
X102-20	1-1/4	0.90	1.23	1.23
X102-24	1-1/2	1.03	1.31	1.31
X102-32	2	1.54	1.47	1.47
X102-40	2-1/2	3.30	1.89	1.89
X102-48	3	3.52	2.18	2.18



45 DEGREE STREET ELBOW

Part #	Size (IN.)	Approx. Net WT. (LB.)	A	B
X103A-04	1/4	0.09	0.56	0.88
X103A-06	3/8	0.14	0.63	0.92
X103A-08	1/2	0.29	0.78	1.06
X103A-12	3/4	0.31	0.89	1.23
X103A-16	1	0.52	1.06	1.40
X103A-20	1-1/4	0.77	1.22	1.64
X103A-24	1-1/2	0.97	1.30	1.80
X103A-32	2	2.04	1.45	2.14



** ⚠️ **WARNING:** This product can expose you to Lead, which is known to the State of California to cause cancer and birth defects or other reproductive harm. For more information go to www.P65Warnings.ca.gov. This product is not for use in potable water.

**MERIT
BRASS**

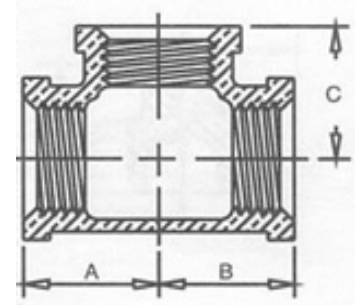
DIRECTING THE FLOW OF *Quality*

DIMENSIONAL SPECIFICATIONS

LEADED IMPORT BRASS FITTINGS** 125 LB.

TEE

Part #	Size (IN.)	Approx. Net WT. (LB.)	A	B	C
X106-02	1/8	0.09	0.54	0.54	0.54
X106-04	1/4	0.16	0.71	0.71	0.71
X106-06	3/8	0.24	0.82	0.82	0.82
X106-08	1/2	0.29	1.01	1.01	1.01
X106-12	3/4	0.44	1.18	1.18	1.18
X106-16	1	0.77	1.43	1.43	1.43
X106-20	1-1/4	1.18	1.69	1.69	1.69
X106-24	1-1/2	1.56	1.84	1.84	1.84
X106-32	2	2.62	2.12	2.12	2.12
X106-40	2-1/2	5.28	2.70	2.70	2.70
X106-48	3	5.98	3.08	3.08	3.08
X106-64	4	10.78	3.79	3.79	3.79



** ⚠ **WARNING:** This product can expose you to Lead, which is known to the State of California to cause cancer and birth defects or other reproductive harm. For more information go to www.P65Warnings.ca.gov. This product is not for use in potable water.

MERIT BRASS

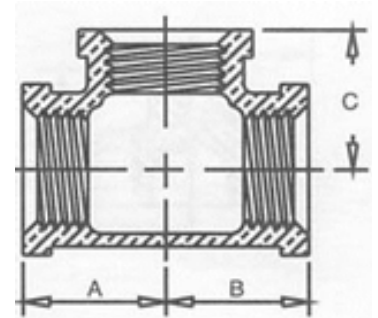
DIRECTING THE FLOW OF *Quality*

DIMENSIONAL SPECIFICATIONS

LEADED IMPORT BRASS FITTINGS** 125 LB.

REDUCING TEE

Part #	Size (IN.)	Approx. Net WT. (LB.)	A	B	C
X106-040402	1/4 X 1/4 X 1/8	0.14	0.65	0.65	0.60
X106-060604	3/8 X 3/8 X 1/4	0.21	0.75	0.75	0.78
X106-080408	1/2 X 1/4 X 1/2	0.28	0.93	0.87	0.93
X106-080806	1/2 X 1/2 X 3/8	0.32	0.93	0.93	0.90
X106-080812	1/2 X 1/2 X 3/4	0.47	1.11	1.11	1.08
X106-120808	3/4 X 1/2 X 1/2	0.43	1.08	1.01	1.11
X106-120812	3/4 X 1/2 X 3/4	0.49	1.18	1.11	1.18
X106-121204	3/4 X 3/4 X 1/4	0.38	1.00	1.00	1.00
X106-121206	3/4 X 3/4 X 3/8	0.46	1.00	1.00	1.00
X106-121208	3/4 X 3/4 X 1/2	0.53	1.08	1.08	1.11
X106-121216	3/4 X 3/4 X 1	0.73	1.31	1.31	1.30
X106-160808	1 X 1/2 X 1/2	0.43	1.31	1.22	1.31
X106-160812	1 X 1/2 X 3/4	0.49	1.30	1.11	1.31
X106-160816	1 X 1/2 X 1	0.73	1.43	1.24	1.43
X106-161208	1 X 3/4 X 1/2	0.67	1.20	1.08	1.24
X106-161212	1 X 3/4 X 3/4	0.70	1.30	1.08	1.31
X106-161606	1 X 1 X 3/8	0.63	1.12	1.12	1.13
X106-161608	1 X 1 X 1/2	0.73	1.20	1.20	1.24
X106-161612	1 X 1 X 3/4	0.83	1.30	1.30	1.31
X106-161620	1 X 1 X 1-1/4	0.97	1.60	1.60	1.52
X106-200820	1-1/4 X 1/2 X 1-1/4	1.05	1.69	1.40	1.69
X106-202008	1-1/4 X 1-1/4 X 1/2	1.05	1.29	1.29	1.41
X106-202012	1-1/4 X 1-1/4 X 3/4	1.04	1.39	1.39	1.48
X106-202016	1-1/4 X 1-1/4 X 1	1.12	1.52	1.52	1.60
X106-240824	1-1/2 X 1/2 X 1-1/2	1.11	1.81	1.56	1.81



** ⚠️ **WARNING:** This product can expose you to Lead, which is known to the State of California to cause cancer and birth defects or other reproductive harm. For more information go to www.P65Warnings.ca.gov. This product is not for use in potable water.

MERIT BRASS

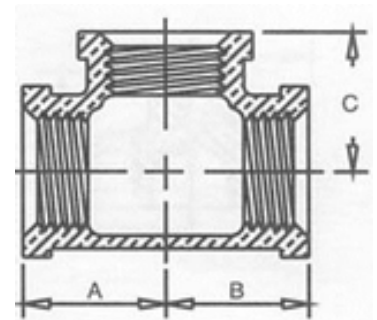
DIRECTING THE FLOW OF *Quality*

DIMENSIONAL SPECIFICATIONS

LEADED IMPORT BRASS FITTINGS** 125 LB.

REDUCING TEE CONTINUED

Part #	Size (IN.)	Approx. Net WT. (LB.)	A	B	C
X106-242408	1-1/2 X 1-1/2 X 1/2	1.11	1.32	1.32	1.53
X106-242412	1-1/2 X 1-1/2 X 3/4	1.23	1.42	1.42	1.60
X106-242416	1-1/2 X 1-1/2 X 1	1.31	1.55	1.55	1.72
X106-242420	1-1/2 X 1-1/2 X 1-1/4	1.52	1.72	1.72	1.81
X106-323208	2 X 2 X 1/2	1.65	1.50	1.50	1.88
X106-323212	2 X 2 X 3/4	1.87	1.47	1.47	1.84
X106-323216	2 X 2 X 1	1.91	1.59	1.59	1.95
X106-323220	2 X 2 X 1-1/4	2.15	1.77	1.77	2.04
X106-323224	2 X 2 X 1-1/2	3.08	1.89	1.89	2.07
X106-404016	2-1/2 X 2-1/2 X 1	4.07	1.88	1.88	2.38
X106-404032	2-1/2 X 2-1/2 X 2	4.07	2.39	2.39	2.60
X106-484832	3 X 3 X 2	4.36	2.52	2.52	2.89
X106-484840	3 X 3 X 2-1/2	5.50	2.83	2.83	2.99
X106-646432	4 X 4 X 2	7.59	2.75	2.75	3.41



**** ⚠ WARNING:** This product can expose you to Lead, which is known to the State of California to cause cancer and birth defects or other reproductive harm. For more information go to www.P65Warnings.ca.gov. This product is not for use in potable water.

MERIT BRASS

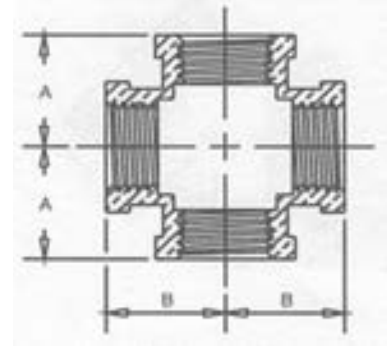
DIRECTING THE FLOW OF *Quality*

DIMENSIONAL SPECIFICATIONS

LEADED IMPORT BRASS FITTINGS** 125 LB.

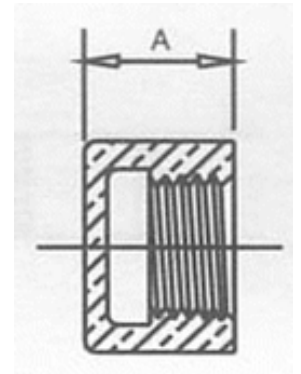
CROSS

Part #	Size (IN.)	Approx. Net WT. (LB.)	A	B
X110-02	1/8	0.13	0.54	0.54
X110-04	1/4	0.20	0.71	0.71
X110-06	3/8	0.29	0.82	0.82
X110-08	1/2	0.43	1.01	1.01
X110-12	3/4	0.68	1.18	1.18
X110-16	1	1.08	1.43	1.43
X110-20	1-1/4	1.70	1.69	1.69
X110-24	1-1/2	1.97	1.84	1.84
X110-32	2	2.52	2.12	2.12
X110-40	2-1/2	5.73	2.70	2.70



CAP

Part #	Size (IN.)	Approx. Net WT. (LB.)	A
X116-02	1/8	0.04	0.49
X116-04	1/4	0.07	0.59
X116-06	3/8	0.09	0.66
X116-08	1/2	0.13	0.78
X116-12	3/4	0.22	0.84
X116-16	1	0.40	1.00
X116-20	1-1/4	0.48	1.13
X116-24	1-1/2	0.72	1.16
X116-32	2	1.11	1.34
X116-40	2-1/2	1.75	1.72
X116-48	3	2.71	1.81
X116-64	4	3.76	2.09



** ⚠️ **WARNING:** This product can expose you to Lead, which is known to the State of California to cause cancer and birth defects or other reproductive harm. For more information go to www.P65Warnings.ca.gov. This product is not for use in potable water.

**MERIT
BRASS**

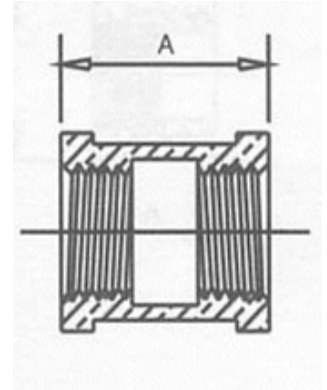
DIRECTING THE FLOW OF *Quality*

DIMENSIONAL SPECIFICATIONS

LEADED IMPORT BRASS FITTINGS** 125 LB.

COUPLING

Part #	Size (IN.)	Approx. Net WT. (LB.)	A
X111-02	1/8	0.06	0.80
X111-04	1/4	0.10	0.80
X111-06	3/8	0.14	1.05
X111-08	1/2	0.19	1.29
X111-12	3/4	0.29	1.43
X111-16	1	0.45	1.68
X111-20	1-1/4	0.56	1.86
X111-24	1-1/2	1.03	1.92
X111-32	2	1.06	2.20
X111-40	2-1/2	2.77	2.88
X111-48	3	2.75	3.18



**  **WARNING:** This product can expose you to Lead, which is known to the State of California to cause cancer and birth defects or other reproductive harm. For more information go to www.P65Warnings.ca.gov. This product is not for use in potable water.

**MERIT
BRASS**

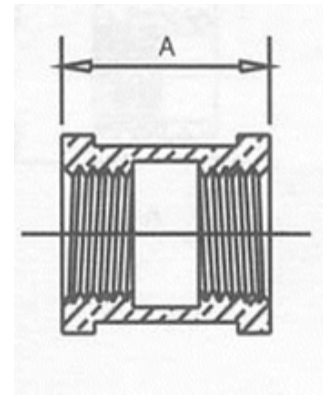
DIRECTING THE FLOW OF *Quality*

DIMENSIONAL SPECIFICATIONS

LEADED IMPORT BRASS FITTINGS** 125 LB.

REDUCING COUPLING

Part #	Size (IN.)	Approx. Net WT. (LB.)	A
X112-0604	3/8 X 1/4	0.12	0.92
X112-0806	1/2 X 3/8	0.17	1.17
X112-1206	3/4 X 3/8	0.24	1.35
X112-1208	3/4 X 1/2	0.26	1.35
X112-1612	1 X 3/4	0.45	1.56
X112-2012	1-1/4 X 3/4	0.67	1.77
X112-2408	1-1/2 X 1/2	0.85	1.80
X112-2412	1-1/2 X 3/4	0.92	1.80
X112-2416	1-1/2 X 1	0.90	1.80
X112-2420	1-1/2 X 1-1/4	0.99	1.80
X112-3216	2 X 1	1.39	2.03
X112-3220	2 X 1-1/4	1.05	2.03
X112-4024	2-1/2 X 1-1/2	1.94	3.25
X112-4032	2-1/2 X 2	2.11	3.25
X112-4832	3 X 2	2.40	3.69
X112-4840	3 X 2-1/2	3.01	3.69
X112-6432	4 X 2	3.40	4.38
X112-6448	4 X 3	4.58	4.38



**  **WARNING:** This product can expose you to Lead, which is known to the State of California to cause cancer and birth defects or other reproductive harm. For more information go to www.P65Warnings.ca.gov. This product is not for use in potable water.

MERIT
BRASS

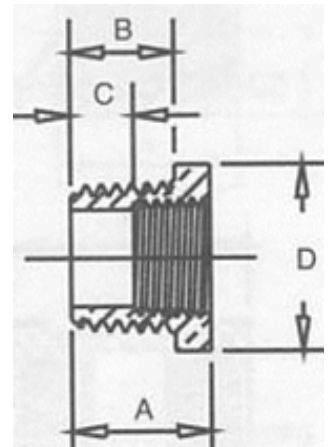
DIRECTING THE FLOW OF *Quality*

DIMENSIONAL SPECIFICATIONS

LEADED IMPORT BRASS FITTINGS** 125 LB.

HEX BUSHING

Part #	Size (IN.)	Approx. Net WT. (LB.)	A	B	C	D
X114-0602	3/8 X 1/8	0.10	0.64	0.48	0.39	0.69
X114-0604	3/8 X 1/4	0.10	0.64	0.48	0.24	0.69
X114-0802	1/2 X 1/8	0.10	0.75	0.56	0.50	0.88
X114-0804	1/2 X 1/4	0.09	0.75	0.56	0.43	0.88
X114-0806	1/2 X 3/8	0.07	0.75	0.56	0.34	0.88
X114-1202	3/4 X 1/8	0.19	0.88	0.63	0.25	1.16
X114-1204	3/4 X 1/4	0.17	0.85	0.63	0.53	1.16
X114-1206	3/4 X 3/8	0.16	0.85	0.63	0.49	1.16
X114-1208	3/4 X 1/2	0.11	0.85	0.63	0.32	1.16
X114-1604	1 X 1/4	0.30	1.05	0.75	0.73	1.44
X114-1606	1 X 3/8	0.22	1.05	0.75	0.69	1.13
X114-1608	1 X 1/2	0.21	1.00	0.75	0.57	1.13
X114-1612	1 X 3/4	0.24	1.00	0.75	0.50	1.13
X114-2008	1-1/4 X 1/2	0.47	1.14	0.80	0.71	1.34
X114-2016	1-1/4 X 1	0.39	1.08	0.80	0.47	1.78



**  **WARNING:** This product can expose you to Lead, which is known to the State of California to cause cancer and birth defects or other reproductive harm. For more information go to www.P65Warnings.ca.gov. This product is not for use in potable water.

**MERIT
BRASS**

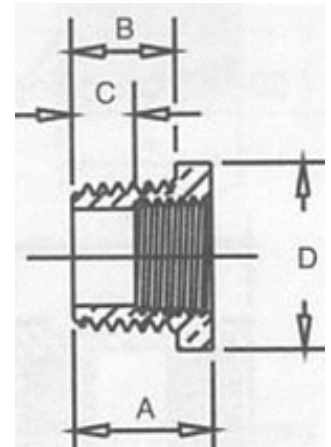
DIRECTING THE FLOW OF *Quality*

DIMENSIONAL SPECIFICATIONS

LEADED IMPORT BRASS FITTINGS** 125 LB.

HEX BUSHING CONTINUED

Part #	Size (IN.)	Approx. Net WT. (LB.)	A	B	C	D
X114-2406	1-1/2 X 3/8	0.45	1.14	0.81	0.57	1.78
X114-2412	1-1/2 X 3/4	0.50	1.20	0.83	0.70	1.63
X114-2416	1-1/2 X 1	0.65	1.14	0.83	0.56	2.00
X114-2420	1-1/2 X 1-1/4	0.43	1.14	0.83	0.43	2.00
X114-3208	2 X 1/2	1.10	1.31	0.88	0.88	1.34
X114-3212	2 X 3/4	1.15	1.31	0.88	0.81	1.63
X114-3220	2 X 1-1/4	0.87	1.22	0.88	0.55	2.50
X114-3224	2 X 1-1/2	0.81	1.22	0.88	0.52	2.50
X114-4016	2-1/2 X 1	1.76	1.53	1.09	0.94	1.97
X114-4020	2-1/2 X 1-1/4	1.67	1.53	1.09	0.84	2.97
X114-4032	2-1/2 X 2	1.21	1.44	1.07	0.69	2.41
X114-4824	3 X 1-1/2	2.44	1.63	1.13	0.91	3.50
X114-4832	3 X 2	1.70	1.61	1.13	0.86	3.50
X114-4840	3 X 2-1/2	1.69	1.53	1.13	0.61	3.88



**  **WARNING:** This product can expose you to Lead, which is known to the State of California to cause cancer and birth defects or other reproductive harm. For more information go to www.P65Warnings.ca.gov. This product is not for use in potable water.

**MERIT
BRASS**

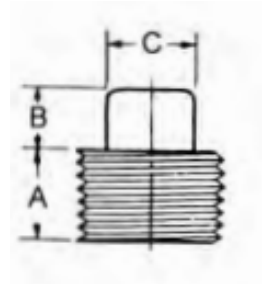
DIRECTING THE FLOW OF *Quality*

DIMENSIONAL SPECIFICATIONS

LEADED IMPORT BRASS FITTINGS** 125 LB.

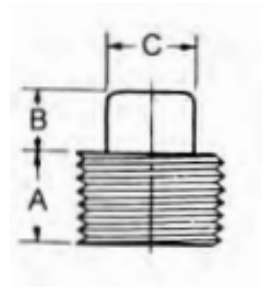
SQUARE HEAD CORED PLUG

Part #	Size (IN.)	Approx. Net WT. (LB.)	A	B	C
X117-08	1/2	0.09	0.54	0.38	0.56
X117-12	3/4	0.17	0.55	0.44	0.63
X117-16	1	0.26	0.69	0.50	0.81
X117-20	1-1/4	0.38	0.71	0.56	0.94
X117-24	1-1/2	0.52	0.73	0.62	1.13
X117-32	2	0.83	0.76	0.68	1.31
X117-40	2-1/2	1.26	1.07	0.74	1.50
X117-48	3	1.49	1.13	0.80	1.69
X117-64	4	3.41	1.22	0.92	2.25



SQUARE HEAD SOLID PLUG

Part #	Size (IN.)	Approx. Net WT. (LB.)	A	B	C
X117A-04	1/4	0.10	0.27	0.24	0.28
X117A-06	3/8	0.06	0.41	0.31	0.44
X117A-08	1/2	0.12	0.54	0.38	0.56
X117A-12	3/4	0.18	0.55	0.55	0.63
X117A-16	1	0.35	0.69	0.50	0.81
X117A-20	1-1/4	0.56	0.71	0.56	0.94
X117A-24	1-1/2	0.80	0.73	0.62	1.13
X117A-32	2	1.28	0.76	0.68	1.31
X117A-40	2-1/2	2.35	1.07	0.74	1.50
X117A-48	3	3.59	1.13	0.80	1.69
X117A-64	4	6.82	1.22	0.92	2.25



**  **WARNING:** This product can expose you to Lead, which is known to the State of California to cause cancer and birth defects or other reproductive harm. For more information go to www.P65Warnings.ca.gov. This product is not for use in potable water.

MERIT BRASS

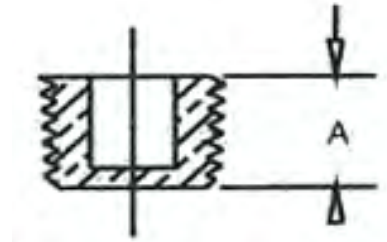
DIRECTING THE FLOW OF *Quality*

DIMENSIONAL SPECIFICATIONS

LEADED IMPORT BRASS FITTINGS** 125 LB.

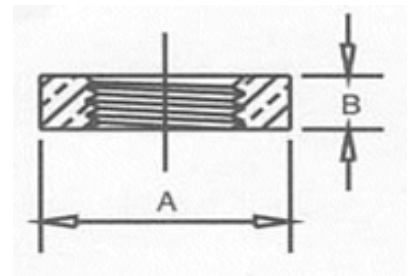
SQUARE COUNTERSUNK PLUG

Part #	Size (IN.)	Approx. Net WT. (LB.)	A
X118-08	1/2	0.22	0.54
X118-12	3/4	0.38	0.55
X118-16	1	0.47	0.69
X118-20	1-1/4	0.72	0.71
X118-24	1-1/2	1.06	0.73
X118-32	2	1.52	0.76



HEX LOCKNUT

Part #	Size (IN.)	Approx. Net WT. (LB.)	A	B
X119-02	1/8	0.02	0.88	0.25
X119-04	1/4	0.03	0.88	0.25
X119-06	3/8	0.04	1.00	0.28
X119-08	1/2	0.10	1.28	0.31
X119-12	3/4	0.13	1.50	0.28
X119-16	1	0.20	1.75	0.34
X119-20	1-1/4	0.29	2.09	0.38
X119-24	1-1/2	0.52	2.44	0.41
X119-32	2	0.64	2.94	0.47



**  **WARNING:** This product can expose you to Lead, which is known to the State of California to cause cancer and birth defects or other reproductive harm. For more information go to www.P65Warnings.ca.gov. This product is not for use in potable water.

**MERIT
BRASS**

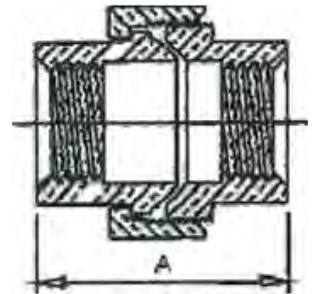
DIRECTING THE FLOW OF *Quality*

DIMENSIONAL SPECIFICATIONS

LEADED IMPORT BRASS FITTINGS** 125 LB.

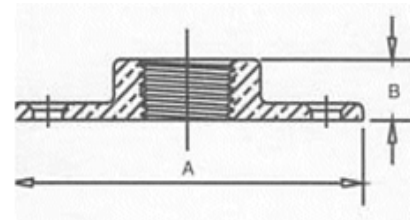
UNION

Part #	Size (IN.)	Approx. Net WT. (LB.)	A
X187-04	1/4	0.22	1.25
X187-06	3/8	0.38	1.48
X187-08	1/2	0.47	1.56
X187-12	3/4	0.72	1.87
X187-16	1	1.06	2.11
X187-20	1-1/4	1.52	2.34
X187-24	1-1/2	2.09	2.65
X187-32	2	3.12	2.96



FLOOR FLANGE

Part #	Size (IN.)	Approx. Net WT. (LB.)	A	B
X240-08	1/2	0.65	3.52	0.55
X240-12	3/4	0.70	3.52	0.62
X240-16	1	0.89	4.02	0.70
X240-20	1-1/4	0.94	4.02	0.76
X240-24	1-1/2	1.24	4.53	0.89
X240-32	2	1.71	5.54	1.00



**  **WARNING:** This product can expose you to Lead, which is known to the State of California to cause cancer and birth defects or other reproductive harm. For more information go to www.P65Warnings.ca.gov. This product is not for use in potable water.

MERIT BRASS

DIRECTING THE FLOW OF *Quality*

Leaded Brass Ball Valves

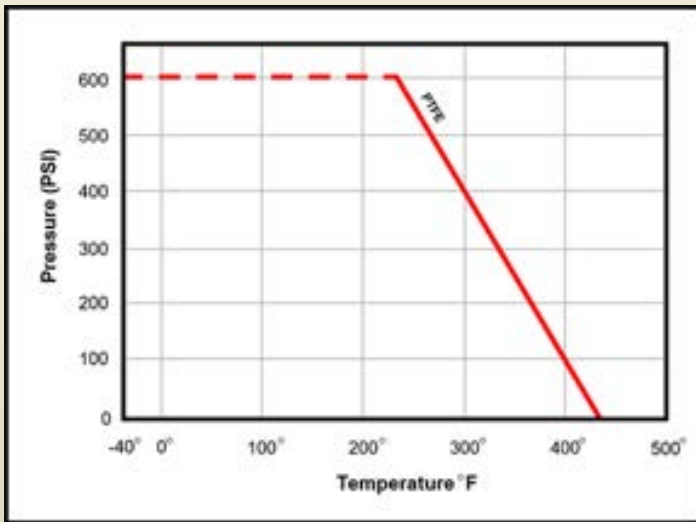
Diameters: 1/4" - 2"

DESIGN FEATURES:

- **Body:** Forged Brass
- **Port:** Full
- **Design:** Two Piece Body
- **Handle:** Locking Device
- **Ball:** Chrome Plated Brass
- **Seats:** PTFE
- **Stem:** Blow-Out Proof
- **1/4" - 2" Rated:** 600PSI Non-Shock WOG
125PSI SWP

APPLICABLE STANDARDS:

- Threaded Ends ANSI B1.20.1
- Conforms to MSS-SP-110
- CSA Gas Approved to 2" (IPS Only)



⚠ WARNING: This product can expose you to Lead, which is known to the State of California to cause cancer and birth defects or other reproductive harm. For more information go to www.P65Warnings.ca.gov. This product is not for use in potable water.

Cleveland Headquarters

One Merit Drive/PO Box 43127
Cleveland, OH 44143
TEL: 800.726.9800
FAX: 855.MBFAXIT (623.2948)
EMAIL: mbsales@meritbrass.com

Dallas Distribution Center

10614 King William Drive
Dallas, TX 75220
TEL: 877.259.2591
FAX: 877.259.2596
EMAIL: mbsalesTX@meritbrass.com

Birmingham Distribution Center

220 Oxmoor Court
Birmingham, AL 35209
TEL: 855.912.0409
FAX: 866.668.9168
EMAIL: mbsalesAL@meritbrass.com

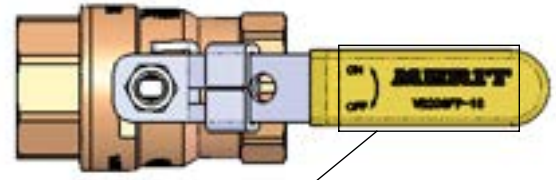
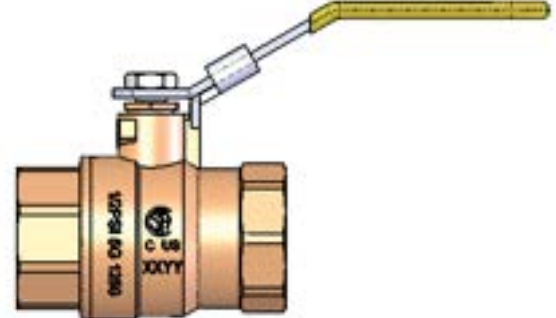
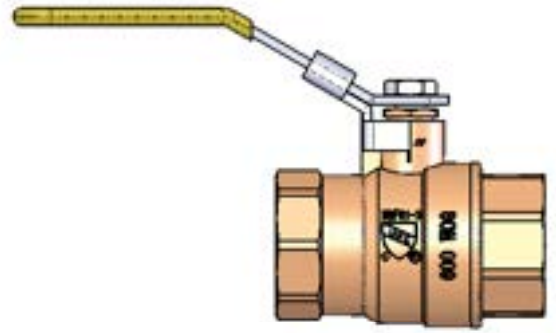
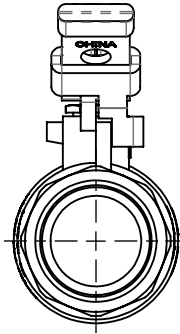
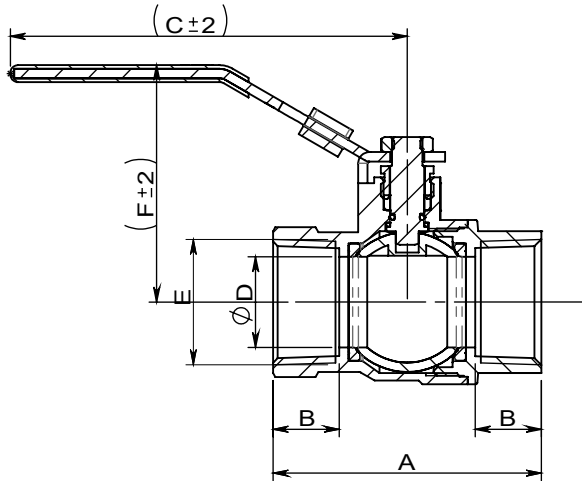
Sparks Distribution Center

200 Vista Blvd., Suite #106
Sparks, NV 89434
TEL: 877.711.RENO (7366)
FAX: 877.376.0093
EMAIL: mbsalesNV@meritbrass.com

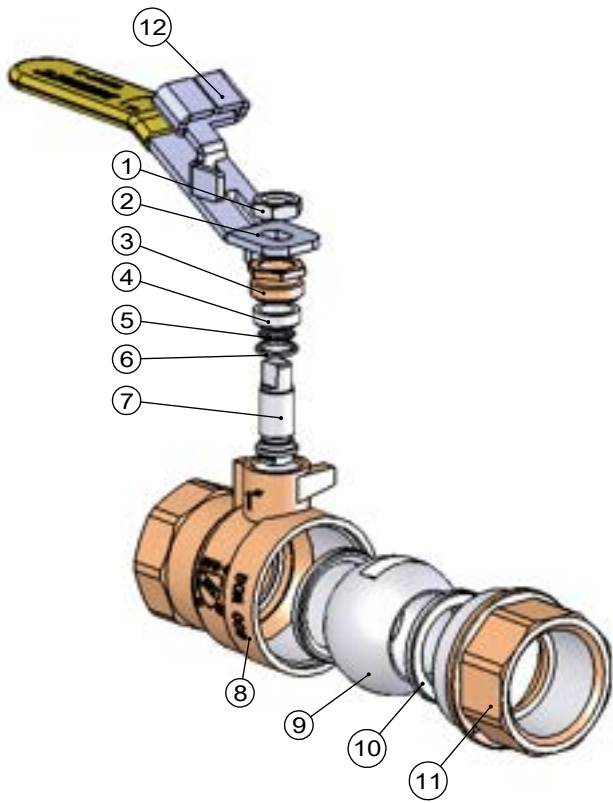
MERIT BRASS

DIRECTING THE FLOW OF *Quality*

www.meritbrass.com • www.MBWebXpress.com



PART NO.



No.	Part	Material	QTY.
1	Hex-nut	Steel	1
2	Handle	Steel	1
3	Packing nut	Brass	1
4	Packing gland	PTFE	1
5	O-Ring	EPDM	1
6	Washer	PTFE	1
7	Stem	C36000	1
8	Body	C37700	1
9	Ball	Chrome Plated Brass	1
10	Seat	PTFE	2
11	Bonnet	C37700	1
12	Lock catch	Steel	1

Size	A(in)	B(in)	C(in)	D(in)	E	F(in)	Weight(lb)	PART NO.
1/4"	1.732	0.453	3.15	∅ 0.394	1/4-18NPT	1.843	0.26	VB206FP-04
3/8"	1.732	0.453	3.15	∅ 0.394	3/8-18NPT	1.843	0.26	VB206FP-06
1/2"	2.047	0.551	3.15	∅ 0.512	1/2-14NPT	1.937	0.37	VB206FP-08
3/4"	2.303	0.571	4.134	∅ 0.709	3/4-14NPT	2.291	0.55	VB206FP-12
1"	2.795	0.689	4.134	∅ 0.945	1-11.5NPT	2.469	0.88	VB206FP-16
1-1/4"	3.15	0.689	4.921	∅ 1.201	1 1/4-11.5NPT	3.039	1.36	VB206FP-20
1-1/2"	3.504	0.709	4.921	∅ 1.457	1 1/2-11.5NPT	3.217	1.88	VB206FP-24
2"	4.193	0.748	7.087	∅ 1.949	2-11.5NPT	3.72	3.44	VB206FP-32

Leaded Brass Ball Valves

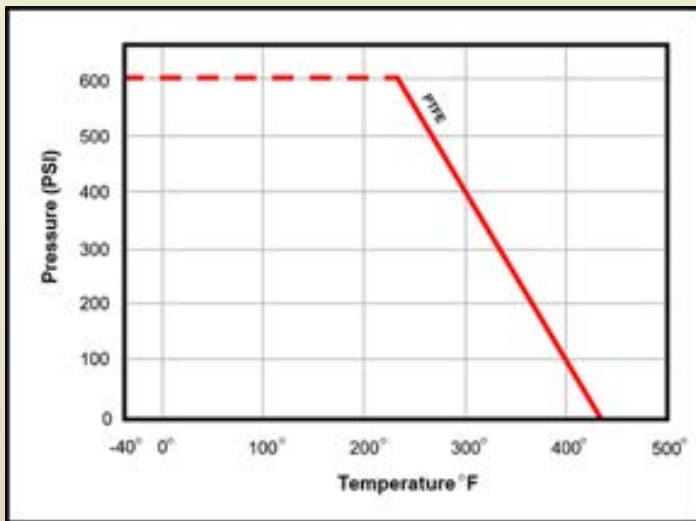
Diameters: 2-1/2" - 4"

DESIGN FEATURES:

- **Body:** Forged Brass
- **Port:** Full
- **Design:** Two Piece Body
- **Handle:** Locking Device
- **Ball:** 304 Stainless Steel
- **Seats:** PTFE
- **Stem:** Blow-Out Proof
- **2-1/2" - 4" Rated:** 600PSI Non-Shock WOG
125PSI SWP

APPLICABLE STANDARDS:

- Threaded Ends ANSI B1.20.1
- Conforms to MSS-SP-110
- UL/FM Approved



⚠ WARNING: This product can expose you to Lead, which is known to the State of California to cause cancer and birth defects or other reproductive harm. For more information go to www.P65Warnings.ca.gov. This product is not for use in potable water.

Cleveland Headquarters

One Merit Drive/PO Box 43127
Cleveland, OH 44143
TEL: 800.726.9800
FAX: 855.MBFAXIT (623.2948)
EMAIL: mbsales@meritbrass.com

Dallas Distribution Center

10614 King William Drive
Dallas, TX 75220
TEL: 877.259.2591
FAX: 877.259.2596
EMAIL: mbsalesTX@meritbrass.com

Birmingham Distribution Center

220 Oxmoor Court
Birmingham, AL 35209
TEL: 855.912.0409
FAX: 866.668.9168
EMAIL: mbsalesAL@meritbrass.com

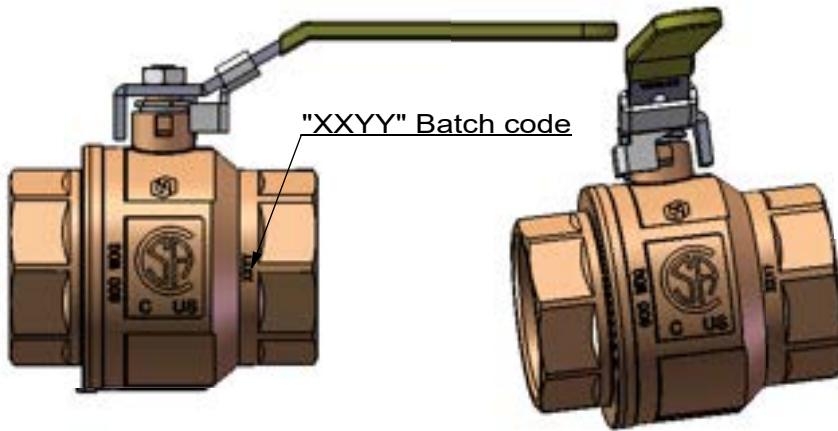
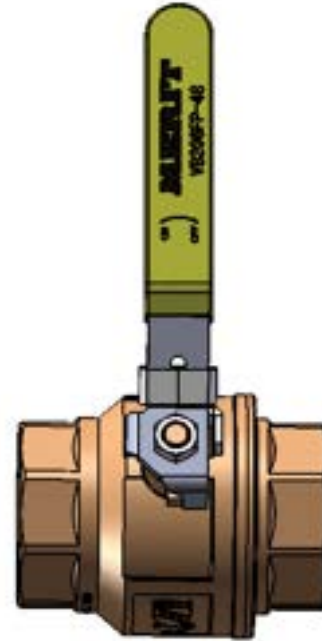
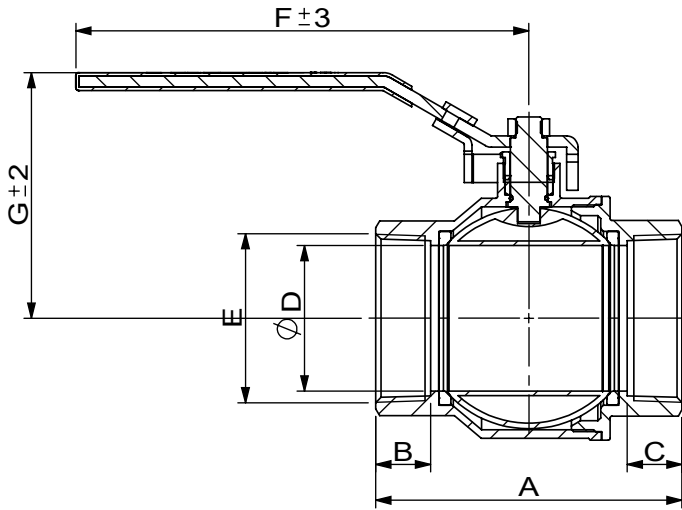
Sparks Distribution Center

200 Vista Blvd., Suite #106
Sparks, NV 89434
TEL: 877.711.RENO (7366)
FAX: 877.376.0093
EMAIL: mbsalesNV@meritbrass.com

MERIT BRASS

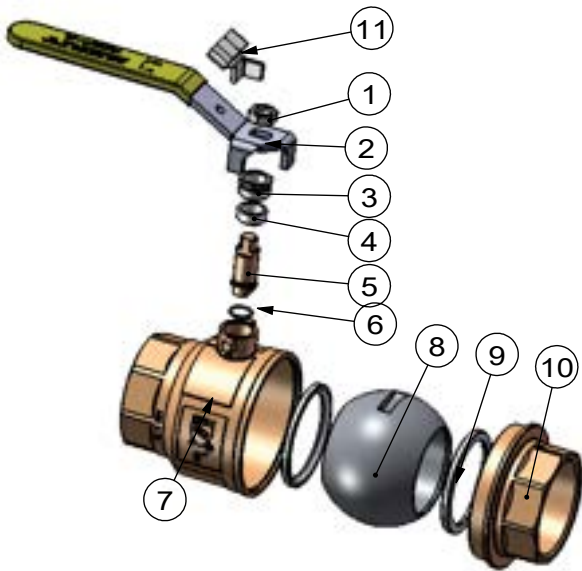
DIRECTING THE FLOW OF *Quality*

www.meritbrass.com • www.MBWebXpress.com



POSITION OF "OPEN" POSITION OF "CLOSE"

PART NO.



No.	Part	Material	Qty.
1	Hex-nut	Steel	1
2	Handle	Steel	1
3	Packing nut	Brass	1
4	Packing gland	PTFE	1
5	Stem	C3600	1
6	O-ring	EPDM	1
7	Body	C3770	1
8	Ball	Stainless Steel	1
9	Seat	PTFE	2
10	Bonnet	C3770	1
11	Lock catch	Steel	1

Size	A(in)	B(in)	C(in)	D(in)	E	F(in)	G(in)	Weight(lb)	PART NO.
2-1/2"	5.551	1.063	1.063	∅ 2.5	2 1/2-8NPT	9.449	4.744	7.32	VB206FP-40
3"	6.378	1.142	1.142	∅ 3.031	3-8NPT	9.449	5.118	10.11	VB206FP-48
4"	7.543	1.201	1.201	∅ 3.937	4-8NPT	9.449	5.866	16.91	VB206FP-64

Lead-Free Brass Ball Valves

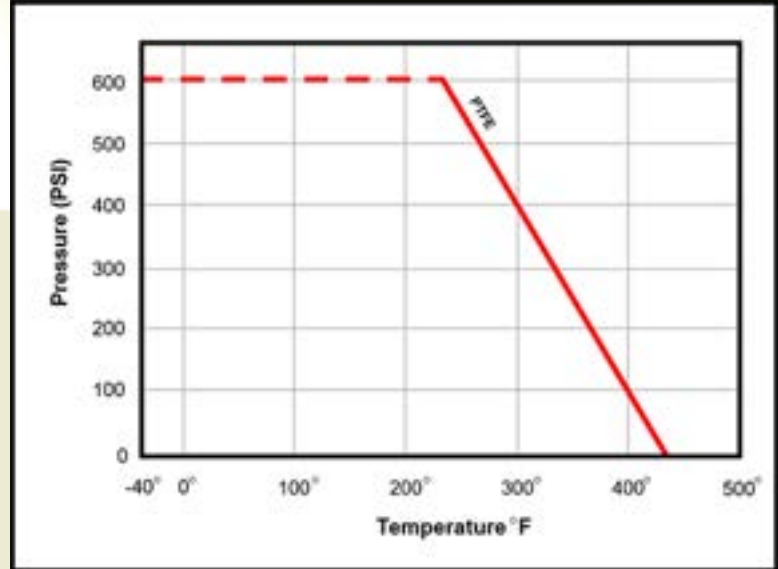
Diameters: 1/4" - 2"

DESIGN FEATURES:

- **Body:** Forged Lead-Free Brass
- **Port:** Full
- **Design:** Two Piece Body
- **Handle:** Locking Device
- **Ball:** Chrome Plated Lead-Free Brass 1/4" - 1"
304 Stainless Steel 1-1/4" - 2"
- **Seats:** PTFE
- **Stem:** Blow-Out Proof
- **1/4" - 2" Rated:** 600PSI Non-Shock WOG

APPLICABLE STANDARDS:

- Threaded Ends ANSI B1.20.1
- Conforms to MSS-SP-110
- CSA Gas Approved to 2" (IPS Only)
- NSF61 and ANSI 372 Approved



Conforms with lead content requirements for lead-free plumbing as defined by the U.S. Safe Drinking Water Act. Certified ≤ 0.25 weighted average % lead.

Cleveland Headquarters

One Merit Drive/PO Box 43127
Cleveland, OH 44143
TEL: 800.726.9800
FAX: 855.MBFAXIT (623.2948)
EMAIL: mbsales@meritbrass.com

Dallas Distribution Center

10614 King William Drive
Dallas, TX 75220
TEL: 877.259.2591
FAX: 877.259.2596
EMAIL: mbsalesTX@meritbrass.com

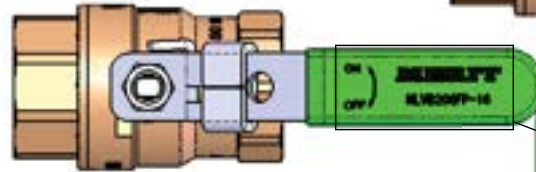
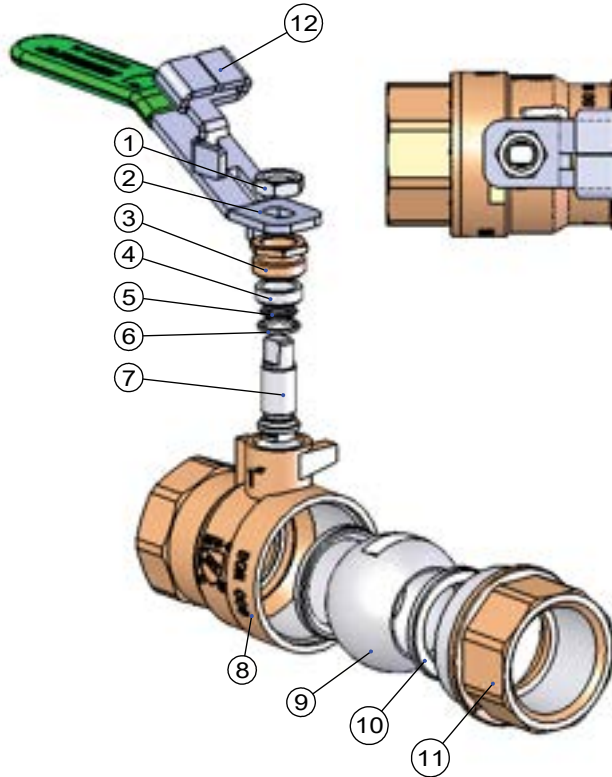
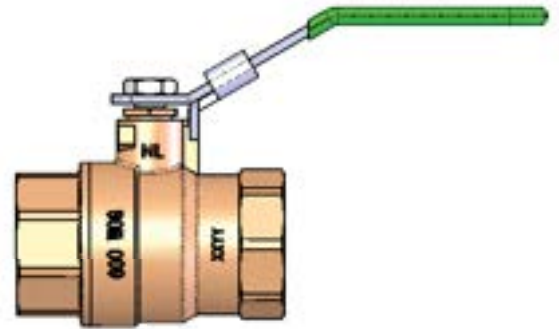
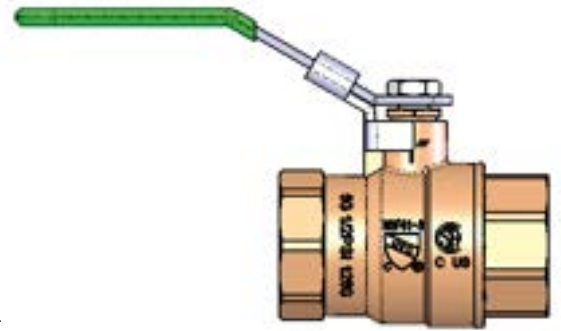
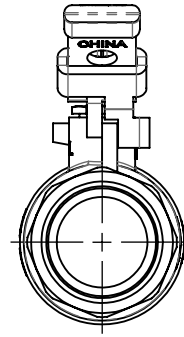
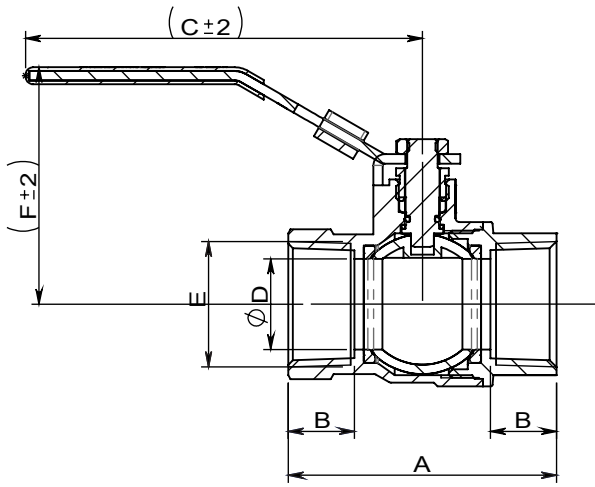
Birmingham Distribution Center

220 Oxmoor Court
Birmingham, AL 35209
TEL: 855.912.0409
FAX: 866.668.9168
EMAIL: mbsalesAL@meritbrass.com

Sparks Distribution Center

200 Vista Blvd., Suite #106
Sparks, NV 89434
TEL: 877.711.RENO (7366)
FAX: 877.376.0093
EMAIL: mbsalesNV@meritbrass.com





PART NO.

No.	Part	Material	QTY.
1	Hex-nut	Steel	1
2	Handle	Steel	1
3	Packing nut	Brass	1
4	Packing gland	PTFE	1
5	O-Ring	EPDM	1
6	Washer	PTFE	1
7	Stem	1/4"-1" : C46500 1-1/4"-2" : C36000	1
8	Body	C46500	1
9	Ball	1/4"-1" : C46500 1-1/4"-2" : AISI304	1
10	Seat	PTFE	2
11	Bonnet	C46500	1
12	Lock catch	Steel	1

Size	A(in)	B(in)	C(in)	D(in)	E	F(in)	Weight(lb)	PART NO.
1/4"	1.732	0.453	3.15	Ø 0.394	1/4-18NPT	1.843	0.26	NLVB206FP-04
3/8"	1.732	0.453	3.15	Ø 0.394	3/8-18NPT	1.843	0.26	NLVB206FP-06
1/2"	2.047	0.551	3.15	Ø 0.512	1/2-14NPT	1.937	0.37	NLVB206FP-08
3/4"	2.303	0.571	4.134	Ø 0.709	3/4-14NPT	2.291	0.55	NLVB206FP-12
1"	2.795	0.689	4.134	Ø 0.945	1-11.5NPT	2.469	0.88	NLVB206FP-16
1-1/4"	3.15	0.689	4.921	Ø 1.201	1 1/4-11.5NPT	3.039	1.36	NLVB206FP-20
1-1/2"	3.504	0.709	4.921	Ø 1.457	1 1/2-11.5NPT	3.217	1.88	NLVB206FP-24
2"	4.193	0.748	7.087	Ø 1.949	2-11.5NPT	3.72	3.44	NLVB206FP-32

Lead-Free Brass Ball Valves

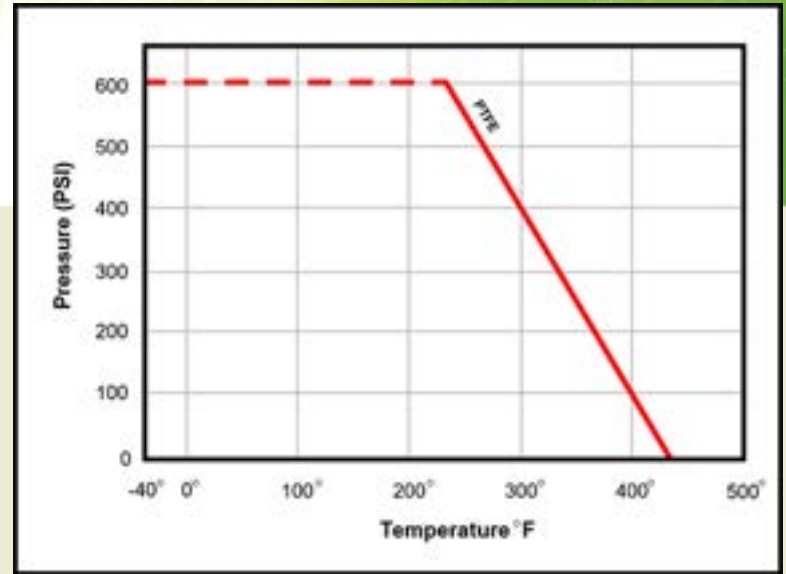
Diameters: 2-1/2" - 4"

DESIGN FEATURES:

- **Body:** Forged Lead-Free Brass
- **Port:** Full
- **Design:** Two Piece Body
- **Handle:** Locking Device
- **Ball:** 304 Stainless Steel
- **Seats:** PTFE
- **Stem:** Blow-Out Proof
- **2-1/2" - 4" Rated:** 600PSI Non-Shock WOG
125PSI SWP

APPLICABLE STANDARDS:

- Threaded Ends ANSI B1.20.1
- Conforms to MSS-SP-110
- NSF61 and ANSI 372 Approved
- UL/FM Approved



Conforms with lead content requirements for lead-free plumbing as defined by the U.S. Safe Drinking Water Act. Certified ≤ 0.25 weighted average % lead.

Cleveland Headquarters

One Merit Drive/PO Box 43127
Cleveland, OH 44143
TEL: 800.726.9800
FAX: 855.MBFAXIT (623.2948)
EMAIL: mbsales@meritbrass.com

Dallas Distribution Center

10614 King William Drive
Dallas, TX 75220
TEL: 877.259.2591
FAX: 877.259.2596
EMAIL: mbsalesTX@meritbrass.com

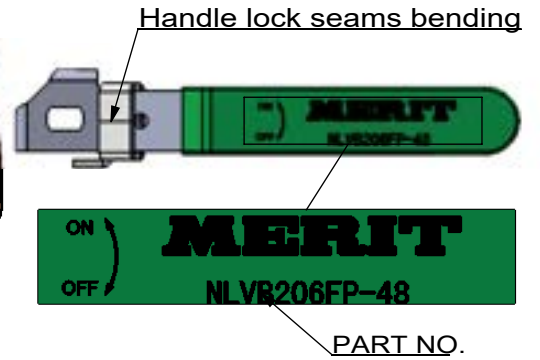
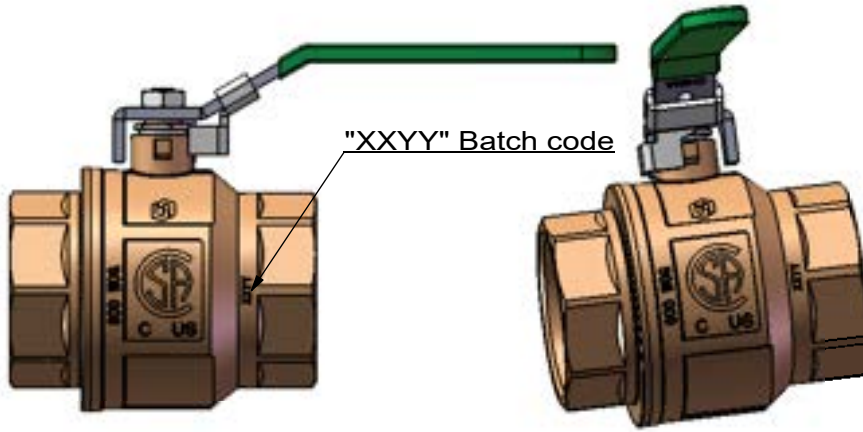
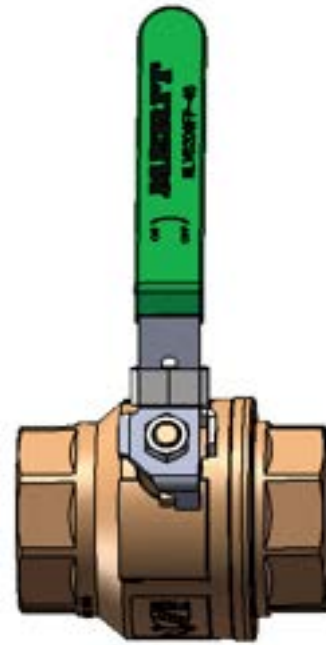
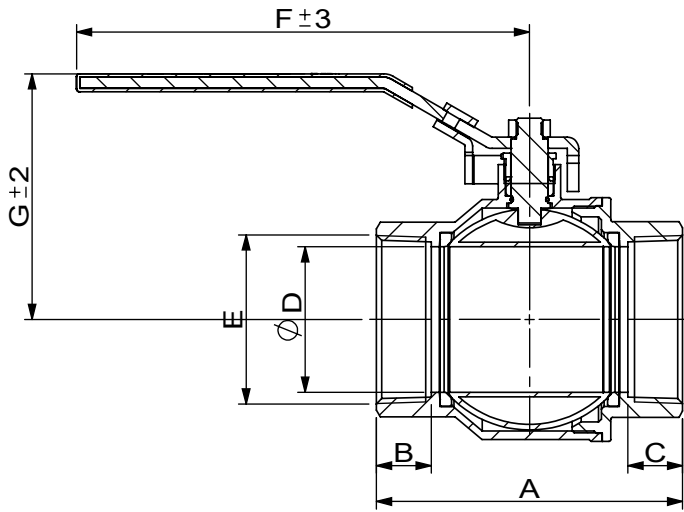
Birmingham Distribution Center

220 Oxmoor Court
Birmingham, AL 35209
TEL: 855.912.0409
FAX: 866.668.9168
EMAIL: mbsalesAL@meritbrass.com

Sparks Distribution Center

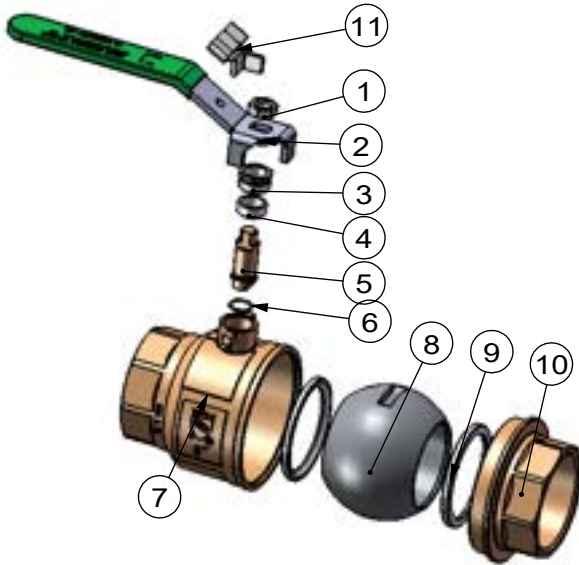
200 Vista Blvd., Suite #106
Sparks, NV 89434
TEL: 877.711.RENO (7366)
FAX: 877.376.0093
EMAIL: mbsalesNV@meritbrass.com





POSITION OF "OPEN"

POSITION OF "CLOSE"



No.	Part	Material	Qty.
1	Hex-nut	Steel	1
2	Handle	Steel	1
3	Packing nut	Brass	1
4	Packing gland	PTFE	1
5	Stem	C3600	1
6	O-ring	EPDM	1
7	Body	C46500	1
8	Ball	Stainless Steel	1
9	Seat	PTFE	1
10	Bonnet	C46500	1
11	Lock catch	Steel	1

Size	A(in)	B(in)	C(in)	D(in)	E	F(in)	G(in)	Weight(lb)	PART NO.
2-1/2"	5.551	1.063	1.063	$\phi 2.5$	2 1/2-8NPT	9.449	4.744	7.32	NLVB206FP-40
3"	6.378	1.142	1.142	$\phi 3.031$	3-8NPT	9.449	5.118	10.11	NLVB206FP-48
4"	7.543	1.201	1.201	$\phi 3.937$	4-8NPT	9.449	5.866	16.91	NLVB206FP-64

BRASS PIPE



WEIGHT OF SEAMLESS BRASS AND COPPER PIPE

Iron Pipe Sizes
REGULAR PIPE

Pipe Size in Inches	DIMENSIONS IN INCHES			POUNDS PER LINEAL FOOT	
	O.D.	I.D.	Wall Thickness	Red Brass	Copper
1/8	.405	.281	.062	.253	.259
1/4	.540	.376	.082	.447	.457
3/8	.675	.495	.090	.627	.641
1/2	.840	.626	.107	.934	.955
3/4	1.050	.822	.114	1.27	1.30
1	1.315	1.063	.126	1.78	1.82
1-1/4	1.660	1.368	.146	2.63	2.69
1-1/2	1.900	1.600	.150	3.13	3.20
2	2.375	2.063	.156	4.12	4.22
2-1/2	2.875	2.501	.187	5.99	6.12
3	3.500	3.062	.219	8.56	8.75
3-1/2	4.000	3.500	.250	11.2	11.4
4	4.500	4.000	.250	12.7	12.9
5	5.563	5.063	.250	15.8	16.2
6	6.625	6.125	.250	19.0	19.4

WEIGHT OF SEAMLESS BRASS AND COPPER PIPE

EXTRA STRONG PIPE

Pipe Size in Inches	DIMENSIONS IN INCHES			POUNDS PER LINEAL FOOT	
	O.D.	I.D.	Wall Thickness	Red Brass	Copper
1/8	.405	.205	.100	.363	.371
1/4	.540	.294	.123	.611	.625
3/8	.675	.421	.127	.829	.847
1/2	.840	.542	.149	1.23	1.25
3/4	1.050	.736	.157	1.67	1.71
1	1.315	.951	.182	2.46	2.51
1-1/4	1.660	1.272	.194	3.39	.346
1-1/2	1.900	1.494	.203	4.10	4.19
2	2.375	1.933	.221	5.67	5.80
2-1/2	2.875	2.315	.280	8.66	8.85
3	3.500	2.892	.304	11.6	11.8

RED BRASS 85%

Pipe with Threaded Ends
Allowable Pessure

Standard Size (Inches)	POUNDS PER SQUARE INCH			
	@100°F	@200°F	@300°F	@400°F
1/8	370	370	320	140
1/4	870	870	760	330
3/8	890	890	780	340
1/2	900	900	790	340
3/4	810	810	710	310
1	630	630	560	240
1-1/4	690	690	610	260
1-1/2	630	630	560	240
2	540	540	480	210
2-1/2	450	450	390	170
3	510	510	450	190
3-1/2	570	570	500	220
4	510	510	440	190
5	410	410	360	160
6	340	340	300	130

RED BRASS 85%

Pipe with Threaded Ends
EXTRA STRONG (XS)

Allowable Internal Pressure

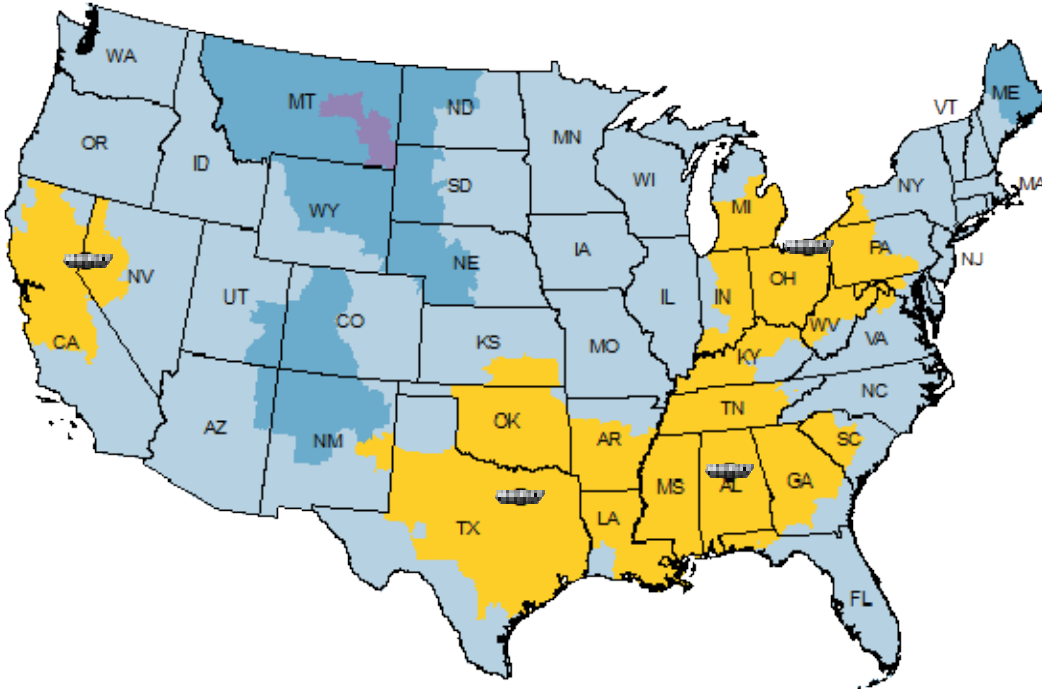
Standard Size (Inches)	POUNDS PER SQUARE INCH			
	@100°F	@200°F	@300°F	@400°F
1/8	1960	1960	1710	740
1/4	2210	2210	1930	830
3/8	1840	1840	1610	690
1/2	1760	1760	1540	660
3/4	1510	1510	1320	570
1	1340	1340	1180	510
1-1/4	1160	1160	1020	440
1-1/2	1090	1090	960	410
2	1000	1000	870	380
2-1/2	970	970	850	370
3	910	910	790	340

⚠ WARNING: THIS PRODUCT CAN EXPOSE YOU TO LEAD, WHICH IS KNOWN TO THE STATE OF CALIFORNIA TO CAUSE CANCER AND BIRTH DEFECTS OR OTHER REPRODUCTIVE HARM. FOR MORE INFORMATION GO TO WWW.P65WARNINGS.CA.GOV.

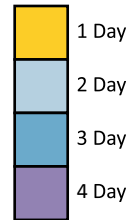
EVERY PRECAUTION HAS BEEN TAKEN IN PREPARING THIS PRICE SHEET, HOWEVER, MERIT BRASS COMPANY CANNOT BE HELD RESPONSIBLE FOR TYPOGRAPHICAL ERRORS OR OMISSIONS.

PLEASE NOTE, MERIT FURNISHES RED BRASS PIPE CONFORMING TO ASTM B43, DRAWN GENERAL PURPOSE TEMPER (H58); UNLESS OTHERWISE NOTED. LIGHT ANNEALED (061) TEMPER IS ALSO AVAILABLE UPON REQUEST.

SHIPPING TIMES



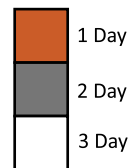
FedEx



*FedEx is Merit's Primary Carrier



UPS



Cleveland Headquarters

One Merit Drive/PO Box 43127
Cleveland, OH 44143
800.726.9800 (t) | 800.726.9880 (f)
sales@meritbrass.com

Dallas Distribution Center

10614 King William Dr.
Dallas, TX 75220
877.259.2591 (t) | 877.259.2596 (f)
mbsalesTX@meritbrass.com

Sparks Distribution Center

200 Vista Blvd., Suite #106
Sparks, NV 89434
877.711. RENO (7366) (t) | 877.376.0093 (f)
mbsalesNV@meritbrass.com

Birmingham Distribution Center

220 Oxmoor Court
Birmingham, AL 35209
855.912.0409 (t) | 866.668.9168 (f)
mbsalesAL@meritbrass.com

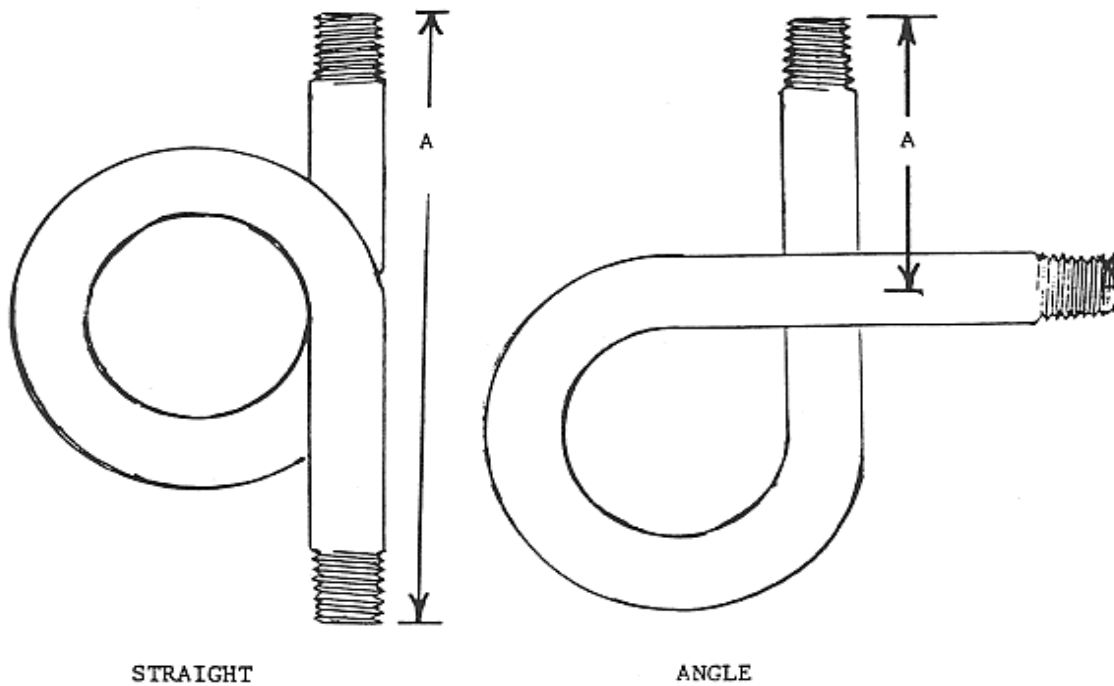
Merit Brass Headquarters Has An ISO 9001:2015 Registered Quality Management System

www.meritbrass.com • www.mbwebxpress.com

Follow Us On Social Media



1/4" I P S SYPHONS



RED BRASS:

GRADE	PART NO.	TYPE	"A" DIM.
B-43	2904-1175	STRAIGHT	5 3/4
B-43	2904-1400	STRAIGHT	8
B-43	A2904-1075	ANGLE	1 7/8

STAINLESS STEEL:

GRADE	PART NO.	TYPE	"A" DIM.
304-40	3904-1175	STRAIGHT	5 3/4
304-40	3904-1400	STRAIGHT	8
316-40	6904-1175	STRAIGHT	5 3/4
316-40	6904-1400	STRAIGHT	8
304-40	A3904-1075	ANGLE	1 7/8
316-40	A6904-1075	ANGLE	1 7/8