

# CopperPress™ Submittal

By Merit Brass Co.



## XL Press Coupling With Stop



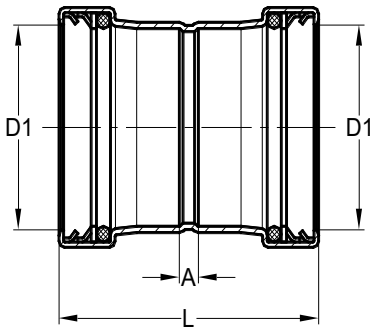
<b>Job Name</b>	
<b>Job Location</b>	
<b>P.O.#</b>	
<b>Engineer</b>	
<b>Contractor</b>	
<b>Wholesaler</b>	
<b>Merit Associate</b>	

**CopperPress™ XL Press Coupling With Stop** is available in sizes 2-1/2" - 4" and is made of lead-free\* dezincification resistant copper with an EPDM or HNBR o-ring. **CopperPress™** fittings are designed to be used with ASTM B88 Type K, L, and M copper tubing in the hard-drawn condition.

- **Visually Indicates Pressed Ring (VIPR)** - facilitates immediate identification of un-pressed connections
- **Leak Before Press (LBP)** - in addition to the VIPR, all sizes have leak before press technology, which guarantees a visual indication if the fitting is not pressed; 1/2" has a 3 path LBP system and 3/4" & up have a 4 path LBP system
- **Permanent Application Marking** - imprinted on fitting body for quick H<sub>2</sub>O or gas application identification
- **Lead-Free\* Construction** - fully compliant with current lead-free laws
- **Copper Ends** - protect against dezincification and stress corrosion cracking

**Operational Parameters:** Operating/Test Pressure = 300 PSI/600 PSI, Temperature Range 0°F - 250°F

**Approvals:** NSF ANSI/CAN 61, UPC, cUPC, IPC, IAPMO PS-117, ICC-ES-PMG, ASME B16.51



Part Number	D1 (in)	L (in)	A (in)
MB22230	2-1/2	3.86	0.39
MB22240	3	4.37	0.35
MB22250	4	5.20	0.39

Merit Brass Company reserves the right to change any portion of the information shown on this sheet without obligation to change our press fitting line, CopperPress™, by Merit Brass Co. previously or subsequently sold. Visit [www.meritbrass.com/pressftg](http://www.meritbrass.com/pressftg) for the most current information. Every precaution has been taken in preparing this sheet. Merit Brass Company cannot be held responsible for omissions or typographical errors. \*Conforms with lead content requirements for lead-free plumbing as defined by the U.S. Safe Drinking Water Act. Certified <=0.25 weighted average % lead.

Find us in  
**MasterSpec®**  
Powered by Deltek Specpoint®