

# CopperPress™ Submittal

By Merit Brass Co.



## Small Diameter Press 90° Male Elbow P x MPT



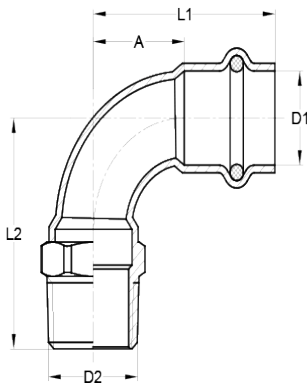
|                        |  |
|------------------------|--|
| <b>Job Name</b>        |  |
| <b>Job Location</b>    |  |
| <b>P.O.#</b>           |  |
| <b>Engineer</b>        |  |
| <b>Contractor</b>      |  |
| <b>Wholesaler</b>      |  |
| <b>Merit Associate</b> |  |

**CopperPress™ Small Diameter Press 90° Male Elbow P x MPT** is available in sizes 1/2" - 2" and is made of lead-free\* dezincification resistant copper with an EPDM or HNBR o-ring. **CopperPress™** fittings are designed to be used with ASTM B88 Type K, L, and M 1/2" - 2" copper tubing in the hard-drawn condition and soft copper tubing in sizes 1/2" - 1-1/4".

- **Visually Indicates Pressed Ring (VIPR)** - facilitates immediate identification of un-pressed connections
- **Leak Before Press (LBP)** - in addition to the VIPR, all sizes have leak before press technology, which guarantees a visual indication if the fitting is not pressed; 1/2" has a 3 path LBP system and 3/4" & up have a 4 path LBP system
- **Permanent Application Marking** - imprinted on fitting body for quick H<sub>2</sub>O or gas application identification
- **Lead-Free\* Construction** - fully compliant with current lead-free\* laws
- **Copper Ends** - protect against dezincification and stress corrosion cracking

**Operational Parameters:** Operating/Test Pressure = 300 PSI/600 PSI, Temperature Range 0°F - 250°F

**Approvals:** NSF ANSI/CAN 61, UPC, cUPC, IPC, IAPMO PS-117, ICC-ES-PMG, ASME B16.51



| Part Number | D1 (in) | D2 (in)   | L1 (in) | A (in) | L2 (in) |
|-------------|---------|-----------|---------|--------|---------|
| MB47990     | 1/2     | 1/2 MPT   | 1.56    | 0.75   | 1.87    |
| MB48000     | 1/2     | 3/4 MPT   | 2.01    | 1.20   | 2.01    |
| MB48010     | 3/4     | 1/2 MPT   | 2.15    | 1.20   | 2.15    |
| MB48012     | 3/4     | 3/4 MPT   | 2.03    | 1.09   | 2.11    |
| MB48015     | 1       | 1 MPT     | 2.24    | 1.28   | 2.76    |
| MB48020     | 1-1/4   | 1-1/4 MPT | 2.64    | 1.50   | 2.64    |
| MB48030     | 1-1/2   | 1-1/2 MPT | 3.23    | 1.77   | 3.23    |
| MB48040     | 2       | 2 MPT     | 4.25    | 2.64   | 4.25    |

Merit Brass Company reserves the right to change any portion of the information shown on this sheet without obligation to change our press fitting line, CopperPress™, by Merit Brass Co. previously or subsequently sold. Visit [www.meritbrass.com/pressfitg](http://www.meritbrass.com/pressfitg) for the most current information. Every precaution has been taken in preparing this sheet. Merit Brass Company cannot be held responsible for omissions or typographical errors. \*Conforms with lead content requirements for lead-free plumbing as defined by the U.S. Safe Drinking Water Act. Certified <=0.25 weighted average % lead.

Find us in  
**MasterSpec®**  
Powered by Deltek Specpoint®