

CopperPress™ Submittal

By Merit Brass Co.

Small Diameter Copper End Press Ball Valve



Job Name	
Job Location	
P.O.#	
Engineer	
Contractor	
Wholesaler	
Merit Associate	

CopperPress™ Small Diameter Copper End Press Ball Valve is available in sizes 1/2" - 2" and is suitable for installation in most plumbing and heating systems including hydronic heating, low pressure steam (15 psi max) and potable water. **CopperPress™** valves are designed to be used with ASTM B88 Type K, L, and M 1/2" - 2" copper tubing in the hard-drawn condition and soft copper tubing in sizes 1/2" - 1-1/4".

- **Visually Indicates Pressed Ring (VIPR)** - facilitates immediate identification of un-pressed connections
- **Leak Before Press (LBP)** - in addition to the VIPR, all sizes have leak before press technology, which guarantees a visual indication if the fitting is not pressed; 1/2" has a 3 path LBP system and 3/4" & up have a 4 path LBP system
- **Lead-Free* Construction** - fully compliant with current lead-free* laws
- **Copper Ends** - protect against dezincification and stress corrosion cracking

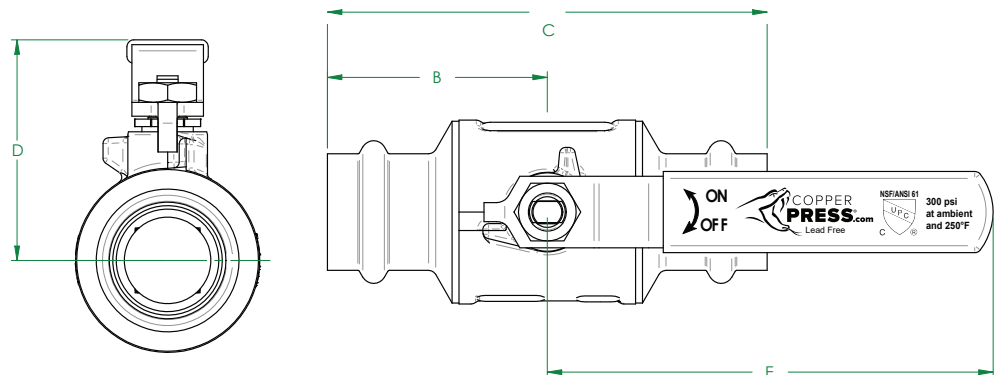
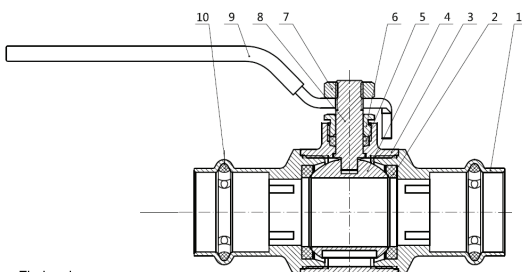
Operational Parameters: Operating/Test Pressure = 300 PSI/600 PSI, Temperature Range 0°F - 250°F

Approvals: IAPMO/ANSI Z1157, NSF ANSI/CAN 61/372, MSS SP-110

ITEM	DESCRIPTION	MATERIAL	QTY	SPECIFICATION
1	Retainer	Copper	2	C12200
2	Seat	PTFE	2	
3	Body	Bronze	1	C89836
4	Ball (Sizes 1/2" - 1")	Chrome Plated Brass	1	C46500
4	Ball (Sizes 1-1/4" - 2")	Stainless Steel	1	304
5	Stem Packing	PTFE	1	
6	Packing Gland	Brass	1	HPb59-3P
7	Stem Nut	Zinc Plated Steel	1	Q235
8	Stem	Brass	1	C46500
9	Handle	Zinc Plated Steel	1	Q235
10	O-Ring	EPDM	2	

Part Number	Size (in)	B	C	D	E	Weight (lbs)
MB70000	1/2	1.56	3.11	1.70	3.94	0.54
MB70010	3/4	1.89	3.78	1.84	3.94	0.79
MB70020	1	2.24	4.49	2.37	4.92	1.39
MB70030	1-1/4	2.56	5.12	3.02	5.84	2.74
MB70040	1-1/2	2.83	5.67	3.16	6.30	4.30
MB70050	2	3.44	6.89	4.21	7.87	7.30

Operational Parameters & Approvals	
Temperature Range	0°F - 250°F
Operating Pressure	300 PSI
Approvals	IAPMO/ANSI Z1157, NSF ANSI/CAN 61/372, MSS SP-110



Find us in **MasterSpec®** Merit Brass Company reserves the right to change any portion of the information shown on this sheet without obligation to change our press fitting line, CopperPress™, by Merit Brass Co. previously or subsequently sold. Visit www.meritbrass.com/pressfitg for the most current information. Every precaution has been taken in preparing this sheet. Merit Brass Company cannot be held responsible for omissions or typographical errors. *Conforms with lead content requirements for lead-free plumbing as defined by the U.S. Safe Drinking Water Act. Certified <=0.25 weighted average % lead.