

CopperPress™ Submittal

By Merit Brass Co.



Small Diameter Press Tee Female Reducer P x P x FPT



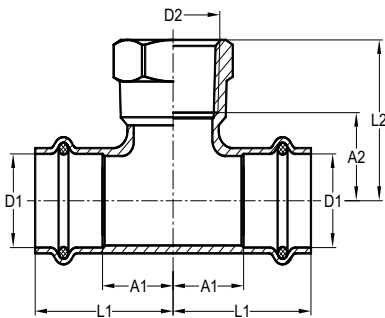
Job Name	
Job Location	
P.O.#	
Engineer	
Contractor	
Wholesaler	
Merit Associate	

CopperPress™ Small Diameter Press Tee Female Reducer P x P x FPT is available in sizes 1/2" - 2" and is made of lead-free* dezincification resistant copper with an EPDM or HNBR o-ring. **CopperPress™** fittings are designed to be used with ASTM B88 Type K, L, and M 1/2" - 2" copper tubing in the hard-drawn condition and soft copper tubing in sizes 1/2" - 1 1/4".

- **Visually Indicates Pressed Ring (VIPR)** - facilitates immediate identification of un-pressed connections
- **Leak Before Press (LBP)** - in addition to the VIPR, all sizes have leak before press technology, which guarantees a visual indication if the fitting is not pressed; 1/2" has a 3 path LBP system and 3/4" & up have a 4 path LBP system
- **Permanent Application Marking** - imprinted on fitting body for quick H₂O or gas application identification
- **Lead-Free* Construction** - fully compliant with current lead-free* laws
- **Copper Ends** - protect against dezincification and stress corrosion cracking

Operational Parameters: Operating/Test Pressure = 300 PSI/600 PSI, Temperature Range 0°F - 250°F

Approvals: NSF ANSI/CAN 61, UPC, cUPC, IPC, IAPMO PS-117, ICC-ES-PMG, ASME B16.51



Part Number	D1 (in)	D2 (in)	L1 (in)	A1 (in)	L2 (in)	A2 (in)
MB40000	1/2	1/2 FPT	1.56	0.75	1.44	0.89
MB40010	3/4	1/4 FPT	1.63	0.69	1.34	0.93
MB40020	3/4	1/2 FPT	1.79	0.85	1.38	0.83
MB40030	3/4	3/4 FPT	1.79	0.85	1.61	0.98
MB40040	1	1/2 FPT	1.63	0.69	1.71	1.16
MB40050	1	3/4 FPT	1.91	0.96	1.85	1.22
MB40060	1-1/4	1/2 FPT	1.87	0.73	1.67	1.12
MB40070	1-1/4	3/4 FPT	1.99	0.85	1.81	1.18
MB40080	1-1/2	1/2 FPT	2.13	0.67	1.83	1.28
MB40100	1-1/2	3/4 FPT	2.26	0.81	1.97	1.34
MB40110	2	1/2 FPT	2.54	0.93	2.09	1.54
MB40120	2	3/4 FPT	2.54	0.93	2.30	1.67

Merit Brass Company reserves the right to change any portion of the information shown on this sheet without obligation to change our press fitting line, CopperPress™, by Merit Brass Co. previously or subsequently sold. Visit www.meritbrass.com/presstg for the most current information. Every precaution has been taken in preparing this sheet. Merit Brass Company cannot be held responsible for omissions or typographical errors. *Conforms with lead content requirements for lead-free plumbing as defined by the U.S. Safe Drinking Water Act. Certified <=0.25 weighted average % lead.

Find us in
MasterSpec®
Powered by Deltek Specpoint®