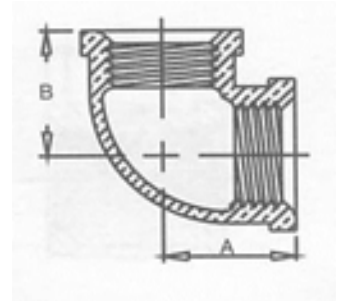


DIMENSIONAL SPECIFICATIONS

LEADED DOMESTIC BRASS FITTINGS** 250 LB.

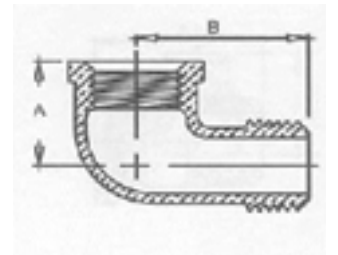
90 DEGREE ELBOW

Part #	Size (IN.)	Approx. Net WT. (LB.)	A	B
150-04	1/4	0.17	0.81	0.81
150-06	3/8	0.27	0.95	0.95
150-08	1/2	0.40	1.12	1.12
150-12	3/4	0.70	1.31	1.31
150-16	1	1.10	1.50	1.50
150-20	1-1/4	1.70	1.75	1.75
150-24	1-1/2	2.15	1.94	1.94
150-32	2	3.50	2.25	2.25
150-40	2-1/2	5.70	2.70	2.70
150-48	3	8.45	3.08	3.08



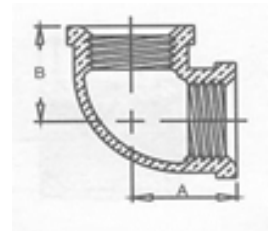
90 DEGREE STREET ELBOW

Part #	Size (IN.)	Approx. Net WT. (LB.)	A	B
160-16	1	1.00	1.50	1.98
160-24	1-1/2	2.00	1.75	2.24



90 DEGREE REDUCING ELBOW

Part #	Size (IN.)	Approx. Net WT. (LB.)	A	B
151-3224	2 x 1-1/2	3.00	2.02	2.16



** ⚠ **WARNING:** This product can expose you to Lead, which is known to the State of California to cause cancer and birth defects or other reproductive harm. For more information go to www.P65Warnings.ca.gov. This product is not for use in potable water.

**MERIT
BRASS**

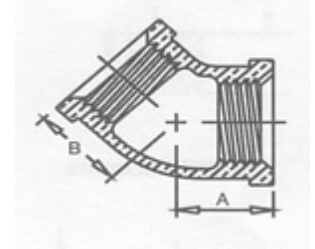
DIRECTING THE FLOW OF *Quality*

DIMENSIONAL SPECIFICATIONS

LEADED DOMESTIC BRASS FITTINGS** 250 LB.

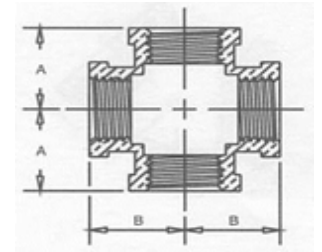
45 DEGREE ELBOW

Part #	Size (IN.)	Approx. Net WT. (LB.)	A
152-12	3/4	0.55	0.98
152-16	1	0.90	1.12
152-20	1-1/4	1.45	1.29
152-24	1-1/2	2.05	1.43
152-32	2	3.20	1.68



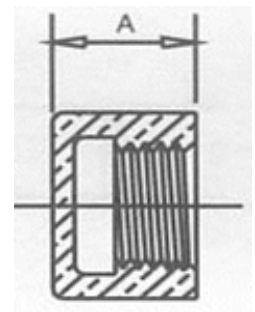
CROSS

Part #	Size (IN.)	Approx. Net WT. (LB.)	A
154-12	3/4	1.25	1.31
154-16	1	1.90	1.50
154-20	1-1/4	2.85	1.75
154-24	1-1/2	3.85	1.94
154-32	2	5.90	2.25



CAP

Part #	Size (IN.)	Approx. Net WT. (LB.)	A
158-08	1/2	0.24	0.86
158-12	3/4	0.35	1.02
158-16	1	0.55	1.10
158-20	1-1/4	1.00	1.29
158-24	1-1/2	1.20	1.33
158-32	2	2.05	1.55
158-48	3	4.75	2.00



** ⚠️ **WARNING:** This product can expose you to Lead, which is known to the State of California to cause cancer and birth defects or other reproductive harm. For more information go to www.P65Warnings.ca.gov. This product is not for use in potable water.

MERIT BRASS

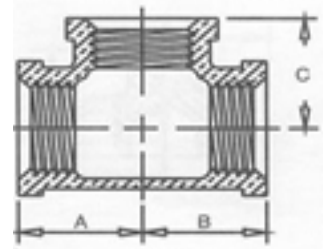
DIRECTING THE FLOW OF *Quality*

DIMENSIONAL SPECIFICATIONS

LEADED DOMESTIC BRASS FITTINGS** 250 LB.

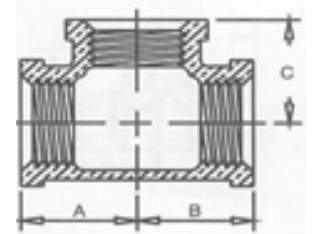
TEE

Part #	Size (IN.)	Approx. Net WT. (LB.)	A	B	C
153-06	3/8	0.35	0.95	0.95	0.95
153-08	1/2	0.60	1.12	1.12	1.12
153-12	3/4	0.95	1.31	1.31	1.31
153-16	1	1.45	1.50	1.50	1.50
153-20	1-1/4	5.80	1.75	1.75	1.75
153-24	1-1/2	2.95	1.94	1.94	1.94
153-32	2	4.60	2.25	2.25	2.25
153-40	2-1/2	7.55	2.70	2.70	2.70



REDUCING TEE

Part #	Size (IN.)	Approx. Net WT. (LB.)	A	B	C
153-160816	1 X 1/2 X 1	1.20	1.50	1.38	1.50
153-161608	1 X 1 X 1/2	1.20	1.26	1.26	1.36
153-161612	1 X 1 X 3/4	1.30	1.37	1.37	1.45



** ⚠ **WARNING:** This product can expose you to Lead, which is known to the State of California to cause cancer and birth defects or other reproductive harm. For more information go to www.P65Warnings.ca.gov. This product is not for use in potable water.

MERIT BRASS

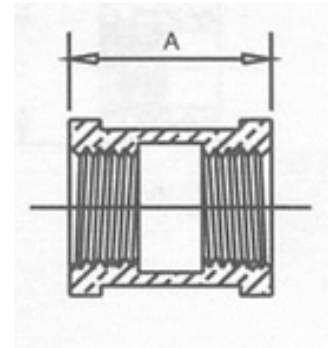
DIRECTING THE FLOW OF *Quality*

DIMENSIONAL SPECIFICATIONS

LEADED DOMESTIC BRASS FITTINGS** 250 LB.

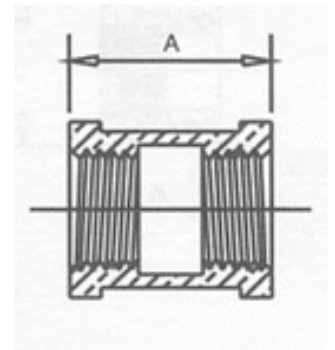
COUPLING

Part #	Size (IN.)	Approx. Net WT. (LB.)	A
157-04	1/4	0.16	1.06
157-06	3/8	0.20	1.16
157-08	1/2	0.40	1.34
157-12	3/4	0.60	1.52
157-16	1	0.85	1.67
157-20	1-1/4	1.30	1.93
157-24	1-1/2	1.80	2.15
157-32	2	2.55	2.53
157-40	2-1/2	4.65	2.88



REDUCING COUPLING

Part #	Size (IN.)	Approx. Net WT. (LB.)	A
156-1612	1 X 3/4	0.70	1.88
156-2016	1-1/4 X 1	1.15	2.13
156-2416	1-1/2 X 1	1.65	2.69
156-2420	1-1/2 X 1-1/4	1.80	2.25
156-3224	2 X 1-1/2	2.25	2.44
156-4032	2-1/2 X 2	3.30	2.63



** ⚠️ **WARNING:** This product can expose you to Lead, which is known to the State of California to cause cancer and birth defects or other reproductive harm. For more information go to www.P65Warnings.ca.gov. This product is not for use in potable water.

**MERIT
BRASS**

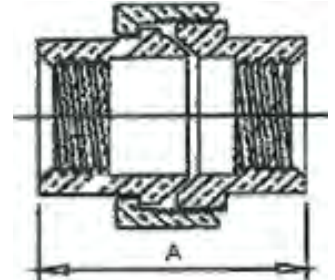
DIRECTING THE FLOW OF *Quality*

DIMENSIONAL SPECIFICATIONS

LEADED DOMESTIC BRASS FITTINGS** 250 LB.

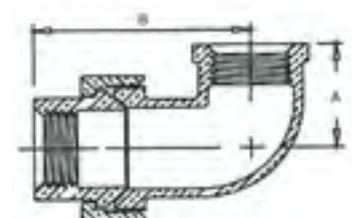
UNION

Part #	Size (IN.)	Approx. Net WT. (LB.)	A
190-04	1/4	0.36	1.56
190-06	3/8	0.45	1.75
190-08	1/2	0.65	2.00
190-12	3/4	1.05	2.13
190-16	1	1.65	2.44
190-20	1-1/4	2.35	2.69
190-24	1-1/2	2.95	2.81
190-32	2	4.00	3.19
190-40	2-1/2	5.65	3.63
190-48	3	8.85	3.69



90 DEGREE UNION ELBOW

Part #	Size (IN.)	Approx. Net WT. (LB.)	A	B
215-06	3/8	0.65	0.94	2.13
215-08	1/2	0.80	1.13	2.31
215-12	3/4	1.25	1.31	2.56
215-16	1	1.90	1.50	2.94
215-24	1-1/2	3.85	1.94	3.63
215-32	2	5.40	2.25	4.13



** ⚠ **WARNING:** This product can expose you to Lead, which is known to the State of California to cause cancer and birth defects or other reproductive harm. For more information go to www.P65Warnings.ca.gov. This product is not for use in potable water.

MERIT BRASS

DIRECTING THE FLOW OF *Quality*