

STAINLESS STEEL VALVES

Class 200 WOG Stainless Steel Gate Valve Threaded – Full Port, “V” Series

VG1102

Description

This specification covers 2-PC Stainless Steel Gate Valves used in piping applications as determined by Engineering as a function of what is being transported in the system, pressure ratings, temperature of material and line pressure.

Specifications

Stainless Steel Gate Valves provided by Merit Brass Co. are designed with a working pressure of 200psi, up to 350° F. The housing shall conform to ASTM A351 CF8M (316 SS) with PTFE seals securing a stainless steel (SUS316) gate. This product is suitable for above ground applications.



- | Size Range | Ends |
|-------------|-------|
| • 1/2" – 2" | • NPT |

Project Information	Approval Stamp
Project Name:	Approved
Project Location:	Approved As Noted
Project Contractor:	Not Approved
Project Engineer:	Remarks:
Project Distributor:	
Project Rep:	
Submittal Date:	
Notes 1:	
Notes 2:	

For the Master Carton (Box) Quantity List, please visit meritbrass.com. Some items not shown may be available upon request. Some items and sizes may be discontinued when stock is depleted and may require a minimum order quantity. Certain inventory limitations may apply. For list prices in Excel, please download by logging onto meritbrass.com. Contact our Sales Team for details at contactus@meritbrass.com. Every precaution has been taken in preparing this submittal, however, Merit Brass Company cannot be held responsible for typographical errors or omissions.

STAINLESS STEEL VALVES

Class 200 WOG Stainless Steel Gate Valve Threaded – Full Port, “V” Series

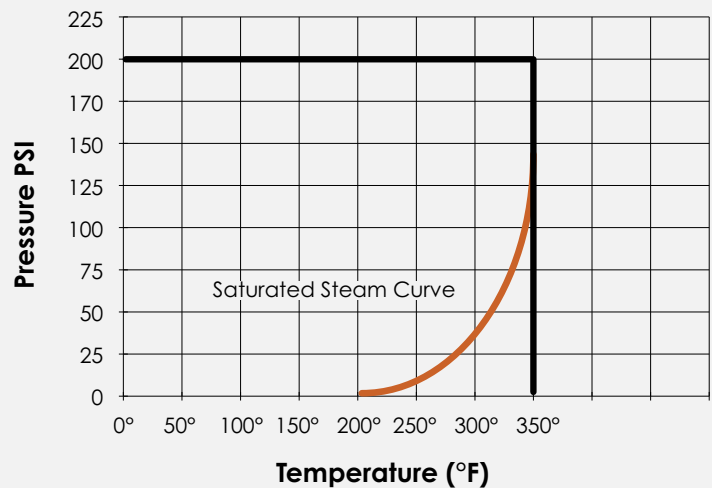
VGT102



Applicable Standards

- Design: ASME/ANSI B16.34
- Testing: API 598
- 200 PSI Working Pressure at 350°F
- 316 Stainless Steel
- Screwed Bonnet
- Solid Wedge Disc
- Non-Rising Stem
- Hydrostatic Shell Test at 300 PSI
- Hydrostatic Seat Test at 220 PSI
- Threaded Ends

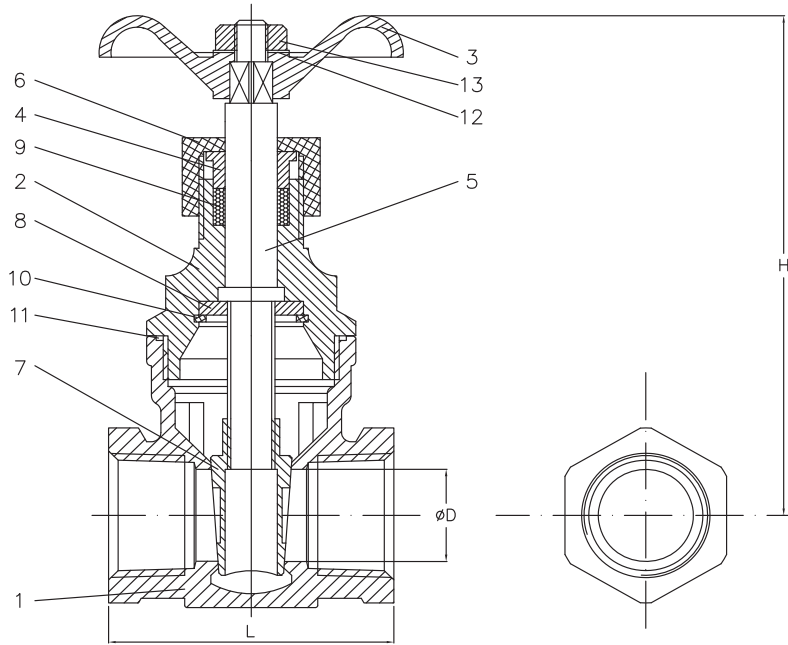
Size	Cv	Weight (Lbs)	Port
1/2"	17.6	0.97	0.59
3/4"	32	1.43	0.79
1"	54	1.75	0.98
1-1/4"	97	2.98	1.26
1-1/2"	130	3.73	1.50
2"	230	5.34	1.97



STAINLESS STEEL VALVES

Class 200 WOG Stainless Steel Gate Valve Threaded – Full Port, “V” Series

VGT102



Unit: Inch

No.	Part Name	Qty	Material
1	Body	1	ASTM A351 CF8M
2	Bonnet	1	ASTM A351 CF8M
3	Hand Wheel	1	Aluminum
4	Gland	1	S.S. 316
5	Stem	1	S.S. 316
6	Packing Nut	1	S.S. 304
7	Disc	1	S.S. 316
8	Stem Washer	1	S.S. 316
9	Gland Packing	1	Teflon
10	Snap Ring	1	SUS316
11	Joint Gasket	1	Teflon
12	Name Plate	1	Aluminum
13	Wheel Nut	1	S.S. 304

Size	D Port	L	H
1/2"	0.59	2.17	3.74
3/4"	0.79	2.36	4.33
1"	0.98	2.56	4.72
1-1/4"	1.26	3.15	5.31
1-1/2"	1.50	3.35	5.71
2"	1.97	3.74	6.69

LOCATIONS

SPARKS DISTRIBUTION CENTER
200 Vista Boulevard Suite #106
Sparks, NV 89434

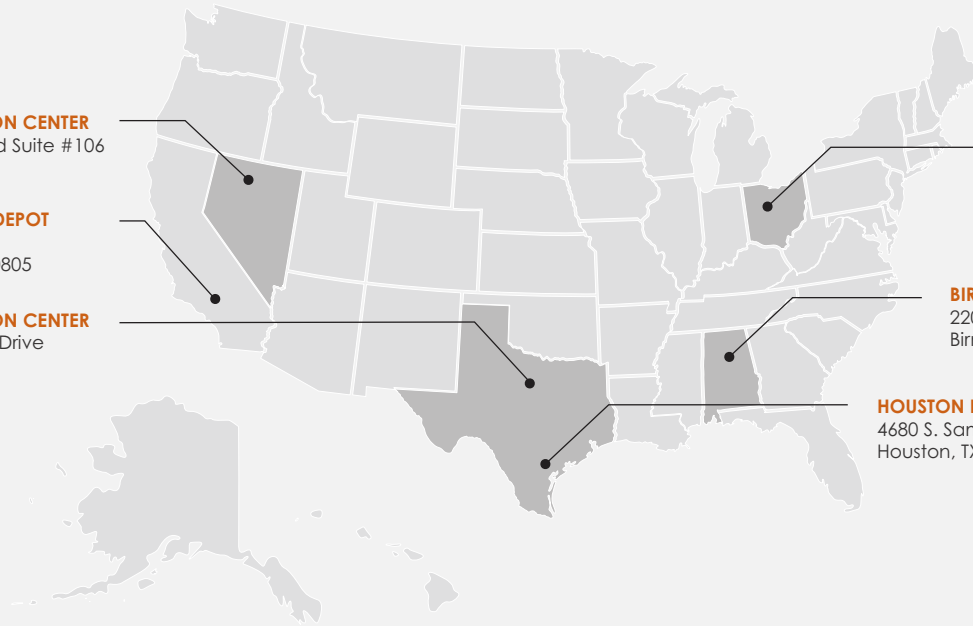
LONG BEACH PIPE DEPOT
2396 E. Artesia Blvd
Long Beach, CA 90805

DALLAS DISTRIBUTION CENTER
10614 King William Drive
Dallas, TX 75220

CLEVELAND HEADQUARTERS
One Merit Drive/PO Box 43127
Cleveland, OH 44143

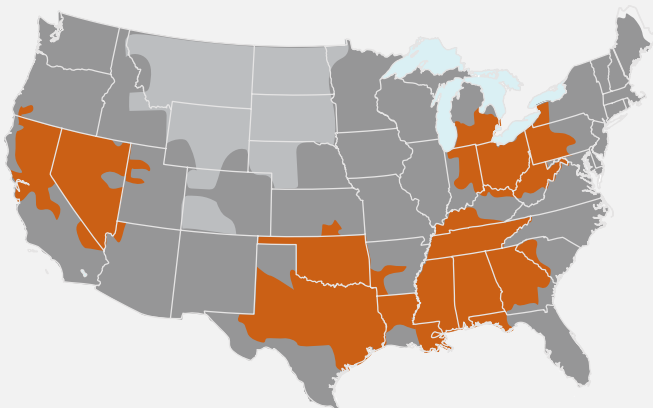
BIRMINGHAM DISTRIBUTION CENTER
220 Oxmoor Court
Birmingham, AL 35209

HOUSTON DISTRIBUTION CENTER
4680 S. Sam Houston Pkwy W, Suite 120
Houston, TX 77053



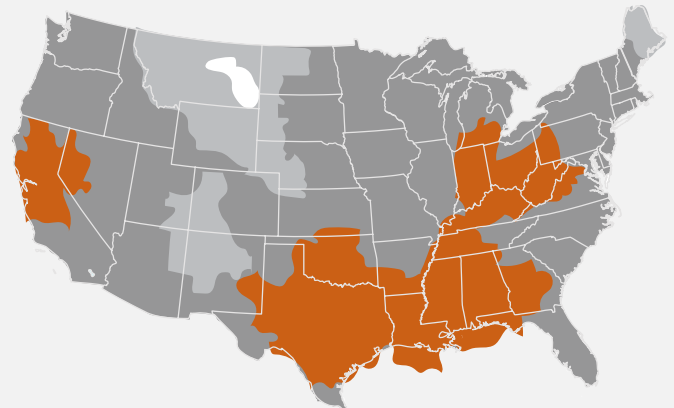
SHIPPING TIMES

UPS



1 Day 2 Days 3 Days

FedEx



1 Day 2 Days 3 Days 4 Days

*FedEx is Merit's Primary Carrier

LEARN MORE



800.726.9800

Follow us on

Merit Brass Headquarters Has An ISO 9001:2015 Registered Quality Management System

www.meritbrass.com

www.mbwebxpress.com

contactus@meritbrass.com