

STAINLESS STEEL VALVES

2-PC Stainless Steel Ball Valve – 2000/1500 WOG

V220/V215



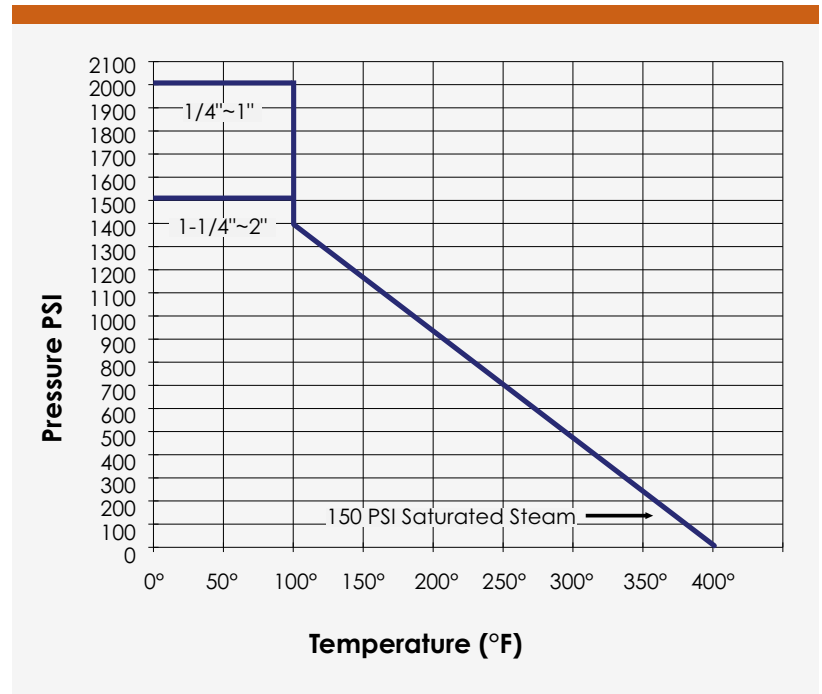
Design Features

- Blow-out Proof Stem
- Pressure Balance Hole Ball Slot
- Various Threaded Standards Available
- Locking Device is Available Upon Request

Applicable Standards

- Design: ASME/ANSI B16.34 EN12516
- Wall Thickness: ASME/ANSI B16.34 EN12516
- Pipe Thread: ASME/ANSI B1.20.1
- Inspection & Testing: ASME/ANSI B16.34 EN12266

Size	Cv	Weight (Lbs)	Port	Torque (In-Lbs)
1/4"	6	0.48	0.43	36
3/8"	6	0.48	0.43	36
1/2"	7	0.59	0.49	38
3/4"	10	1.06	0.63	43
1"	25	1.40	0.79	65
1-1/4"	35	2.91	0.98	100
1-1/2"	46	4.32	1.26	150
2"	80	5.25	1.50	185



LEARN MORE



800.726.9800

Follow us on [f](#) [X](#) [in](#) [@](#) [v](#) [p](#)

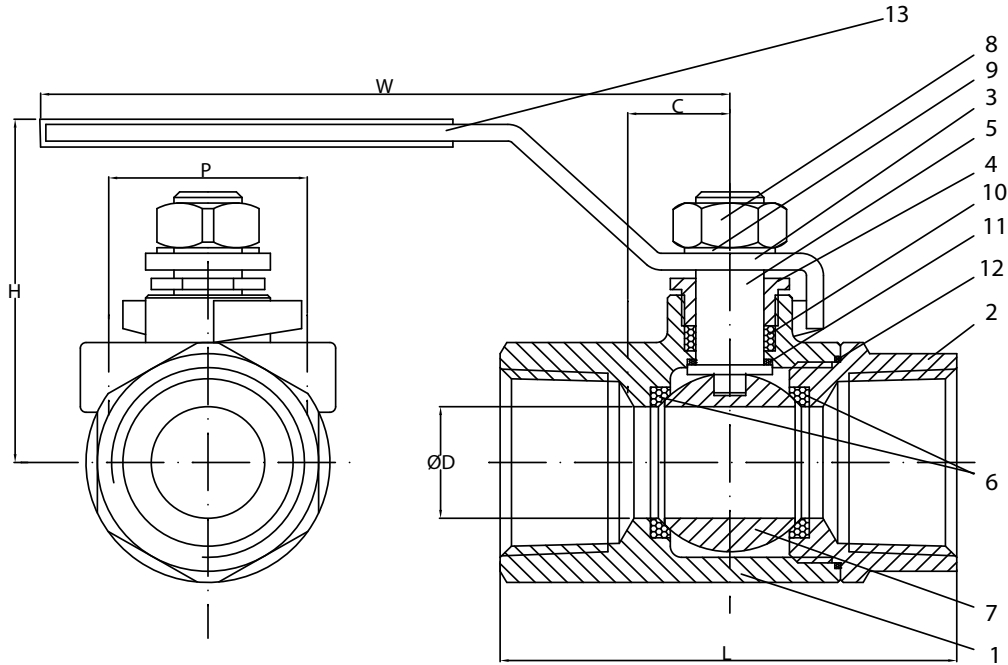
Headquarters: One Merit Drive, PO Box 43127, Cleveland, OH 44143

www.meritbrass.com
www.mbwebxpress.com
contactus@meritbrass.com

STAINLESS STEEL VALVES

2-PC Stainless Steel Ball Valve – 2000/1500 WOG

V220/V215



Unit: Inch

NO.	Part Name	Qty	Materials		
1	Body	1	ASTM	A351	CF8M
2	End Cap	1	ASTM	A351	CF8M
3	Handle	1	SUS304		
4	Gland	1	SUS304		
5	Stem	1	SUS316		
6	Seat Ring	2	Teflon		
7	Ball	1	SUS316		
8	Handle Nut	1	SUS304		
9	Spring Washer	1	SUS304		
10	Grand Packing	3	Teflon		
11	Thrust Washer	1	Teflon		
12	Seal	1	Teflon		
13	Handle Device	1	Plastic		

	Size	D Port	L	W	H	C	P
V220 (1/4" - 1")	1/4"	0.43	2.01	3.78	1.87	0.50	1.12
	3/8"	0.43	2.01	3.78	1.87	0.50	1.12
	1/2"	0.49	2.32	3.78	1.87	0.50	1.12
	3/4"	0.63	2.72	4.96	2.15	0.88	1.38
	1"	0.79	3.17	4.96	2.26	0.88	1.38
V215	1-1/4"	0.98	3.72	7.05	2.78	0.95	1.50
	1-1/2"	1.26	4.00	7.05	2.97	0.95	1.50
	2"	1.50	4.70	7.05	3.15	0.95	1.50