

STAINLESS STEEL VALVES

2-PC Stainless Steel Ball Valve – Full Port, 1000 WOG

V210FP



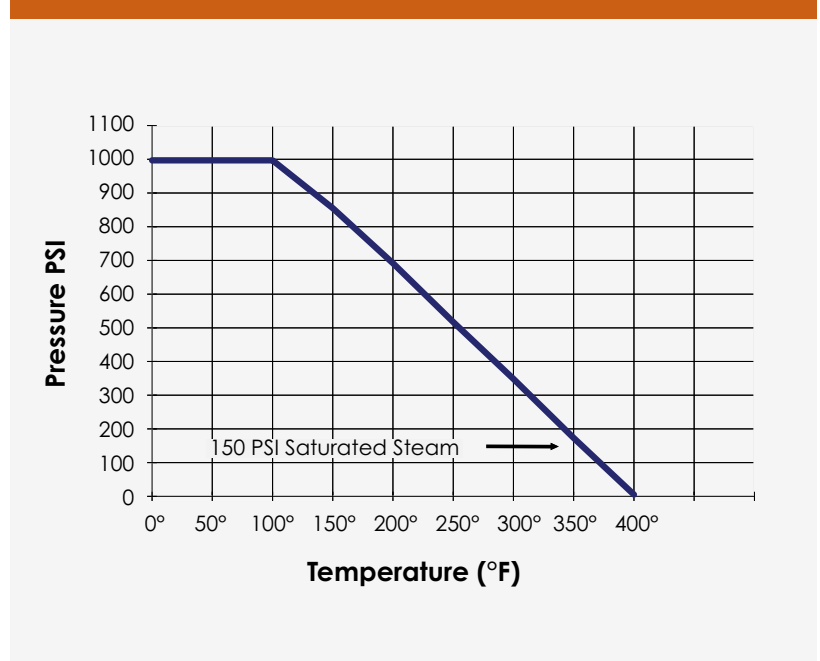
Design Features

- Blow-out Proof Stem
- Pressure Balance Hole Ball Slot
- Full Port
- Various Thread Standards Available
- Locking Device is Available Upon Request

Applicable Standards

- Design: ASME/ANSI B16.34 EN12516
- Wall Thickness: ASME/ANSI B16.34 EN12516
- Pipe Thread: ASME/ANSI B1.20.1
- Inspection & Testing: ASME/ANSI B16.34 EN12516

Size	Cv	Weight (Lbs)	Port	Torque (In-Lbs)
1/4"	6	0.56	0.43	35
3/8"	8	0.49	0.49	35
1/2"	12	0.70	0.63	40
3/4"	28	1.18	0.98	60
1"	37	1.64	0.79	100
1-1/4"	48	2.56	1.26	130
1-1/2"	82	3.69	1.50	160
2"	115	6.24	2.01	225
2-1/2"	315	13.31	2.56	420
3"	370	19.60	3.15	1350



LEARN MORE



800.726.9800

Follow us on [f](#) [X](#) [in](#) [@](#) [v](#) [p](#)

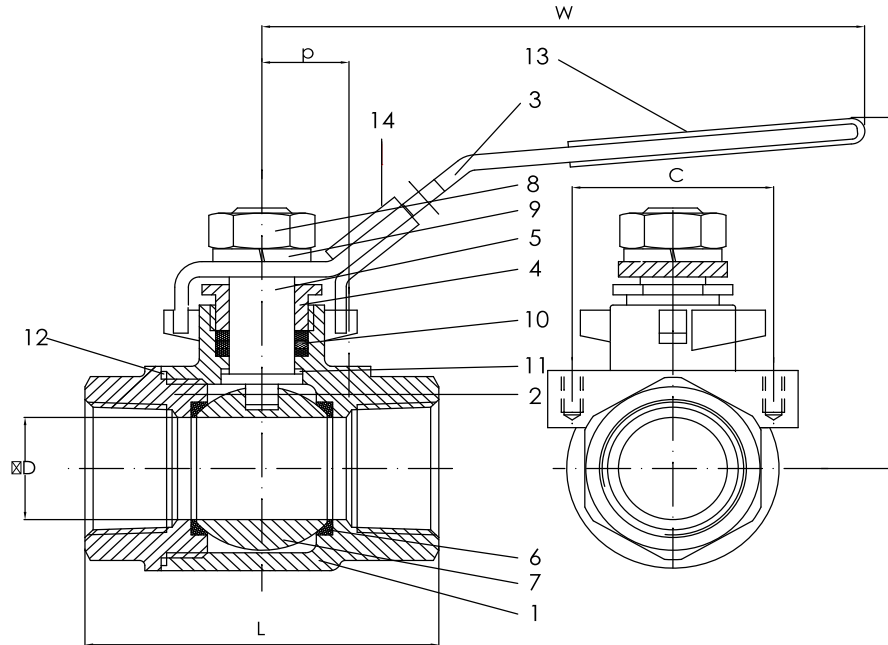
Headquarters: One Merit Drive, PO Box 43127, Cleveland, OH 44143

www.meritbrass.com
www.mbwebxpress.com
contactus@meritbrass.com

STAINLESS STEEL VALVES

2-PC Stainless Steel Ball Valve – Full Port, 1000 WOG

V210FP



Unit: Inch

No.	Part Name	Qty	Material		
1	Body	1	ASTM	A351	CF8M
2	End Cap	1	ASTM	A351	CF8M
3	Handle	1	SUS304		
4	Gland	1	SUS304		
5	Stem	1	SUS316		
6	Seat Ring	2	Teflon		
7	Ball	1	SUS316		
8	Handle Nut	1	SUS304		
9	Spring Washer	1	SUS304		
10	Gland Packing	1	PTFE		
11	Thrust Washer	1	PTFE		
12	Seal	1	PTFE		
13	Handle Cover	1	Plastic		
14	Locking Device	1	SUS304		

Size	D Port	L	W	H	C	P
1/4"	0.43	1.97	3.78	2.13	1.12	0.50
3/8"	0.49	1.97	3.78	2.13	1.12	0.50
1/2"	0.63	2.44	3.78	2.24	1.12	0.50
3/4"	0.79	2.80	4.96	2.70	1.38	0.88
1"	0.98	3.82	4.96	2.85	1.38	0.88
1-1/4"	1.26	4.09	7.01	3.56	1.50	0.95
1-1/2"	1.50	3.27	7.01	3.74	1.50	0.95
2"	2.01	4.92	7.01	4.11	1.50	0.95
2-1/2"	2.56	6.85	9.61	4.72	2.56	1.75
3"	3.15	6.02	9.61	5.16	2.56	1.75