

STAINLESS STEEL VALVES

Stainless Steel ASME Class 150 2-PC Body, Direct Mount Flanged End Ball Valve, Full Port

KFDMV2015FP



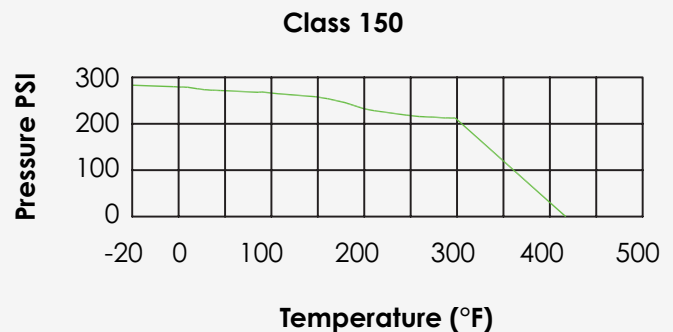
Design Features

- Built-in ISO 5211 Mounting Pad for Easy Automation
- Anti-Static Devices for Ball-Stem-Body
- Blow-out Proof Stem
- Pressure Balance Hole in Ball Slot
- Casting Boss on Body for Draining
- Options: 1. Actuator 2. Limit Switch 3. Positioner

Applicable Standards

- Design: ASME B16.34, API 608
- Face to Face: ASME B16.10
- Wall Thickness: ASME B16.34
- End Flange: ASME B16.5
- Inspection & Testing: API 598, API 6D

Size	Cv	Weight (Lbs)	Port	Torque (In-Lbs)
1/2"	18	3.21	0.59	44
3/4"	36	4.97	0.79	53
1"	48	6.56	0.98	89
1-1/4"	72	7.57	1.26	115
1-1/2"	120	12.83	1.50	168
2"	190	18.59	1.97	252
2-1/2"	450	31.83	2.52	398
3"	600	38.94	2.99	637
4"	1100	67.47	3.93	974
6"	2600	161.07	5.90	2708
8"	4200	276.96	7.87	3806



LEARN MORE



800.726.9800

Follow us on [f](#) [X](#) [in](#) [@](#) [v](#) [p](#)

Headquarters: One Merit Drive, PO Box 43127, Cleveland, OH 44143

www.meritbrass.com

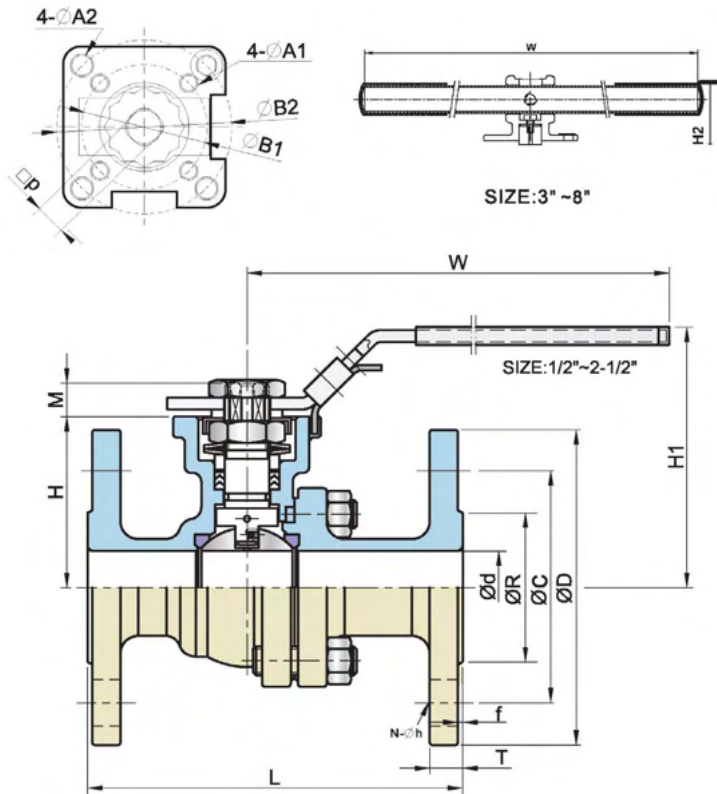
www.mbwebxpress.com

contactus@meritbrass.com

STAINLESS STEEL VALVES

Stainless Steel ASME Class 150 2-PC Body, Direct Mount Flanged End Ball Valve, Full Port

KFDMV2015FP



Size	ISO 5211	P-Actuator	E-Actuator	Pressure
1/2"	F03-F04	KP50	KQ006	80PSI
3/4"	F03-F05	KP50	KQ006	80PSI
1"	F04-F05	KP63	KQ006	80PSI
1-1/4"	F04-F07	KP63	KQ006	80PSI
1-1/2"	F05-F07	KP75	KQ008	80PSI
2"	F05-F07	KP75	KQ008	80PSI
2-1/2"	F07-F10	KP88	KQ015	80PSI
3"	F07-F10	KP100	KQ015	80PSI
4"	F10	KP125	KQ020	80PSI
5"	F12	KP160	KQ030	80PSI
6"	F12	KP160	KQ030	80PSI
8"	F12	KP200	KQ050	80PSI

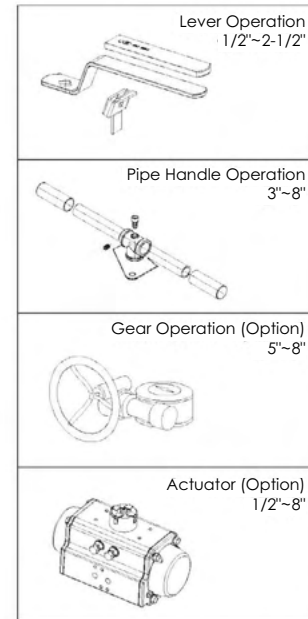
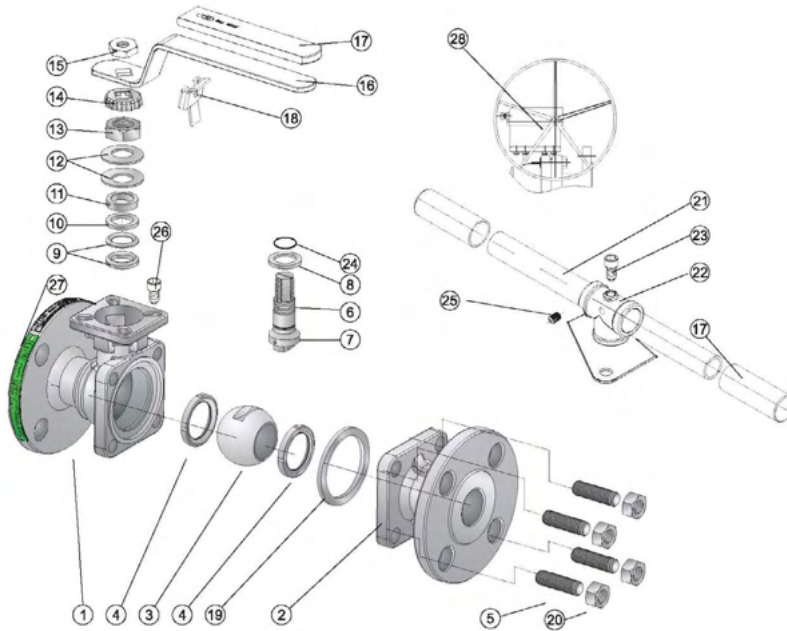
Unit: Inch

Size	Ød	L	ØR	ØD	ØC	T	f	N	Øh	H	H1	H2	W	M	P	A1	A2	B1	B2	X	Y
1/2"	0.59	4.25	1.38	3.50	2.38	0.40	0.08	4	0.63	1.89	5.71	3.07	5.71	0.35	0.35	0.24	0.24	1.42	1.65	5.67	2.83
3/4"	0.79	4.61	1.69	3.88	2.76	0.43	0.08	4	0.63	2.09	5.91	3.31	5.71	0.35	0.35	0.24	0.28	1.42	1.97	5.67	2.83
1"	0.98	5.00	2.01	4.25	3.12	0.46	0.08	4	0.63	2.30	6.63	3.52	6.89	0.43	0.43	0.24	0.28	1.65	1.97	6.46	3.31
1-1/4"	1.26	5.51	2.50	4.61	3.50	0.52	0.08	4	0.63	2.80	7.13	3.98	6.89	0.43	0.43	0.24	0.35	1.65	2.76	6.46	3.31
1-1/2"	1.50	6.50	2.88	5.00	3.88	0.57	0.08	4	0.63	2.99	8.03	4.21	7.48	0.55	0.55	0.28	0.35	1.97	2.76	8.19	3.78
2"	1.97	7.01	3.62	6.00	4.75	0.64	0.08	4	0.75	3.19	8.23	4.41	7.48	0.55	0.55	0.28	0.35	1.97	2.76	8.19	3.78
2-1/2"	2.48	7.48	4.12	7.00	5.50	0.70	0.08	4	0.75	4.00	9.59	5.91	10.43	0.67	0.67	0.35	0.43	2.76	4.02	9.72	4.25
3"	2.99	7.99	5.00	7.50	6.00	0.77	0.08	4	0.75	4.39	10.45	6.93	11.81	0.67	0.67	0.35	0.43	2.76	4.02	10.55	4.84
4"	3.94	9.02	6.18	9.00	7.50	0.96	0.08	8	0.75	5.51	13.19	8.03	15.75	0.87	0.87	N/A	0.43	N/A	4.02	13.58	5.94
5"	4.92	14.02	7.32	10.00	8.50	0.96	0.08	8	0.88	7.20	16.30	10.06	23.62	1.06	1.06	0.55	N/A	4.92	N/A	17.72	7.95
6"	5.91	15.51	8.50	11.00	9.50	1.02	0.08	8	0.88	7.99	17.13	10.83	31.50	1.06	1.06	0.55	N/A	4.92	N/A	17.72	7.95
8"	7.87	17.99	10.63	13.50	11.75	1.14	0.08	8	0.88	9.94	21.87	12.91	31.50	1.06	1.06	0.55	N/A	4.92	N/A	21.46	8.82

STAINLESS STEEL VALVES

Stainless Steel ASME Class 150 2-PC Body, Direct Mount Flanged End Ball Valve, Full Port

KFDMV2015FP



No.	Part Name	Material		
		ANSI/JIS/DIN	ANSI/JIS/DIN	ANSI/JIS/DIN
1	Body	A351-CF8M/ SCS14A/1.4408	A351-CF8/ SCS13A/1.4308	A216-WCB/ SCPH2/1.0619
2	End Cap	A351-CF8M/ SCS14A/1.4408	A351-CF8/ SCS13A/1.4308	A216-WCB/ SCPH2/1.0619
3	Ball	A351-CF8M/ SCS14A/1.4408	A351-CF8/SCS13A/1.4308	
4	Ball Seat	TFM1600/PTFE/RTFE		
5	Bolting	A193-B8 (For ANSI ball valves) A2-70 (For DIN ball valves)		A193-B7 (For ANSI ball valves) / 8.8 (For DIN/JIS ball valves)
6	Stem	SUS316	SUS304	
7	Anti-Stastic	SUS316	SUS304	
8	Thrust Washer	PTFE		
9	Stem Packing	PTFE		
10	Bushing	50% SS + 50% PTFE		
11	Gland	SUS316		
12	Belleville Washer	SUS301		
13	Stem Nut	A194-8		
14	Stop-Lock-Cap	SUS304		

No.	Part Name	Material		
		ANSI/JIS/DIN	ANSI/JIS/DIN	ANSI/JIS/DIN
15	Handle Nut	A194-8		
16	Lever	SUS304		
17	Handle Sleeve	Vinyl Plastic		
18	Lock Device	SUS304		
19	Body Gasket	PTFE		
20	Nut	A194-8 (For ANSI ball valves) A2-70 (For DIN/JIS ball valves)	194-2H (For ANSI ball valves) / 8.8 (For DIN/JIS ball valves)	
21	Pipe Handle (3"~8")	A53 + Zn Plated		
22	Handle Adapter (3"~8")	CF8		
23	Bolting (3"~8")	A2-70		
24	O-Ring	FKM		
25	Set Screwed (3"~8")	SUS304		
26	Stop Bolt	A193-B8		
27	Nameplate	SUS304		
28	Worm Gear	WCB		

MERIT BRASS

DIRECTING THE FLOW OF *Quality*

VALVES CUT SHEETS



LOCATIONS

CLEVELAND HEADQUARTERS

One Merit Drive/PO Box 43127. Cleveland, OH 44143

BIRMINGHAM DISTRIBUTION CENTER

220 Oxmoor Court. Birmingham, AL 35209

DALLAS DISTRIBUTION CENTER

10614 King William Drive. Dallas, TX 75220

LONG BEACH PIPE DEPOT

2396 E. Artesia Blvd. Long Beach, CA 90805

SPARKS DISTRIBUTION CENTER

200 Vista Boulevard Suite #106. Sparks, NV 89434

HOUSTON DISTRIBUTION CENTER

4680 S. Sam Houston Pkwy W, Suite 120. Houston, TX 77053

LEARN MORE



800.726.9800

Follow us on      

Merit Brass Headquarters Has An ISO 9001:2015 Registered Quality Management System

www.meritbrass.com

www.mbwebxpress.com

contactus@meritbrass.com