

V310FP/
SWV310FP

3 - PC Stainless Steel Ball Valve Full Port 1000 WOG

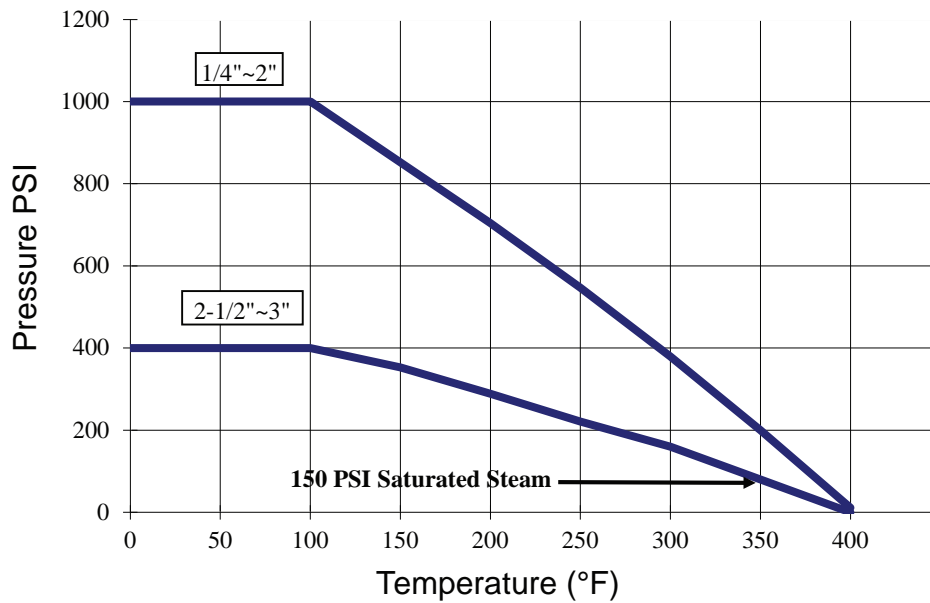
MERIT BRASS

DESIGN FEATURES:

- Blow-out proof stem
- Pressure balance hole ball slot
- Full Port
- Various threaded standards available
- Locking device is available upon request

APPLICABLE STANDARDS:

- Design: ASME/ANSI B16.34 EN12516
- Wall Thickness: ASME/ANSI B16.34 EN12516
- Pipe thread: ASME/ANSI B1.20.1
- Socket weld: ASME/ANSI B16.11
- Inspection & testing: ASME/ANSI B16.34 EN12266



Cv, Weights & Port

Size	Cv	Wt (Lbs)	Port
1/4"	6	0.69	0.43
3/8"	7	0.68	0.50
1/2"	10	1.03	0.63
3/4"	25	1.28	0.77
1"	35	2.47	0.98
1-1/4"	46	3.35	1.26
1-1/2"	80	4.36	1.50
2"	110	7.58	1.97
2-1/2"	310	14.17	2.56
3"	360	21.76	3.15

V310FP
THREADED

Torques(in-lbs)

Size	Cv	Wt (Lbs)	Port
1/2"	10	0.99	0.63
3/4"	25	1.28	0.77
1"	35	2.40	0.98
1-1/4"	46	3.30	1.26
1-1/2"	80	4.28	1.50
2"	110	7.46	1.97
2-1/2"	310	13.29	2.56
3"	360	20.76	3.15

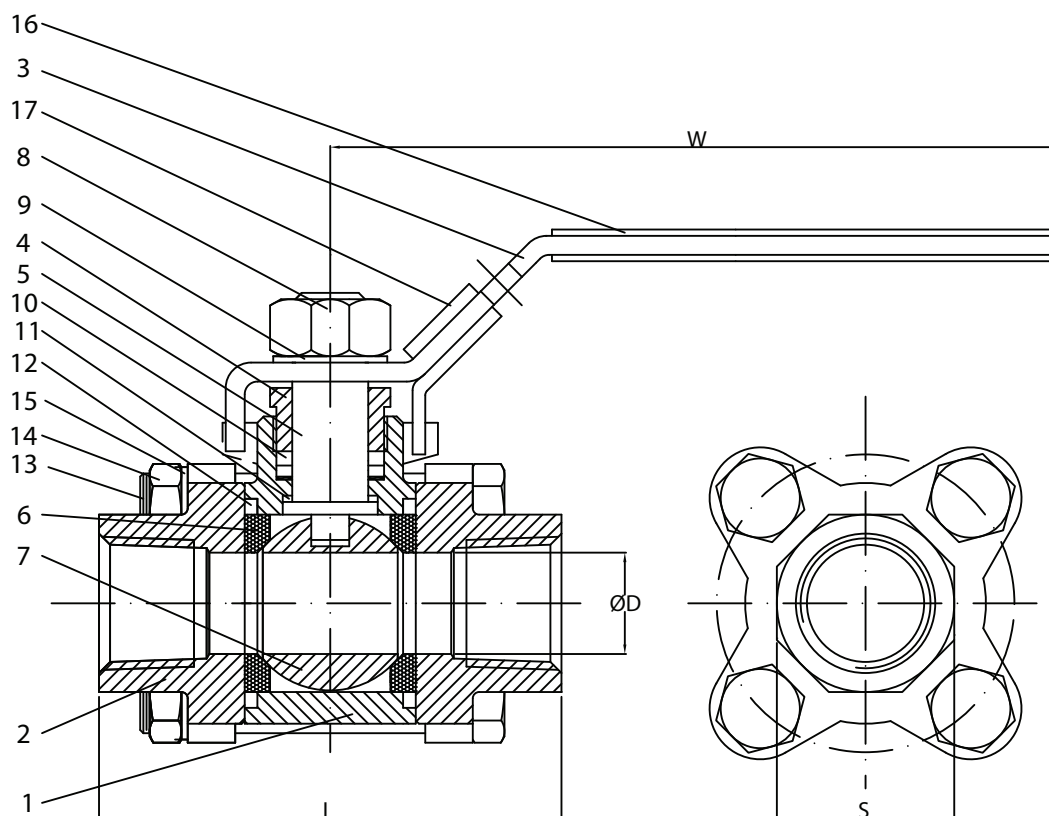
SWV310FP
SOCKET WELD

Size	Torque
1/4"	36
3/8"	36
1/2"	40
3/4"	65
1"	100
1-1/4"	155
1-1/2"	185
2"	225
2-1/2"	420
3"	1380

Headquarters:
One Merit Drive
PO Box 43127
Cleveland OH 44143
TEL: 216 261 9800
TOLL FREE TEL: 800 726 9800
TOLL FREE FAX: 855 MBFAXIT
Email: mbsales@meritbrass.com
Websites: www.meritbrass.com
www.MBWebXpress.com
www.MBLeadFree.com

V310FP/
SWV310FP

3 - PC Stainless Steel Ball Valve Full Port 1000 WOG



NO	PART NAME	QTY	MATERIAL
1	BODY	1	ASTM A351 CF8M
2	END CAP	2	ASTM A351 CF8M
3	HANDLE	1	SUS304
4	GLAND	1	SUS304
5	STEM	1	SUS316
6	SEAT RING	2	TEFLON
7	BALL	1	SUS316
8	HANDLE NUT	1	SUS304
9	SPRING WASHER	1	SUS304

NO	PART NAME	QTY	MATERIAL
10	THRUST WASHER	1,2	TEFLON
11	THRUST WASHER	1	TEFLON
12	SEAL WASHER	2	TEFLON
13	BOLTS	4	SUS304
14	NUT	4	SUS304
15	SPRING WASHER	4	SUS304
16	HANDLE COVER	1	PLASTIC
17	LOCKING DEVICE	1	SUS304

Unit: Inch

Size	D Port	S	L	W	H
1/4"	0.43	0.87	2.17	3.80	1.70
3/8"	0.50	0.87	2.17	3.80	1.70
1/2"	0.63	1.06	2.52	4.25	2.05
3/4"	0.77	1.30	2.91	4.25	2.15
1"	0.98	1.58	3.31	7.01	2.68
1-1/4"	1.26	1.97	3.78	7.01	2.87
1-1/2"	1.50	2.21	4.13	7.01	3.05
2"	1.97	2.76	4.84	7.01	3.43
2-1/2"	2.56	3.43	5.98	9.61	4.72
3"	3.15	3.94	6.85	9.61	5.16