

# STAINLESS STEEL VALVES

## Class 600 Stainless Steel Y-Strainer – “V” Series

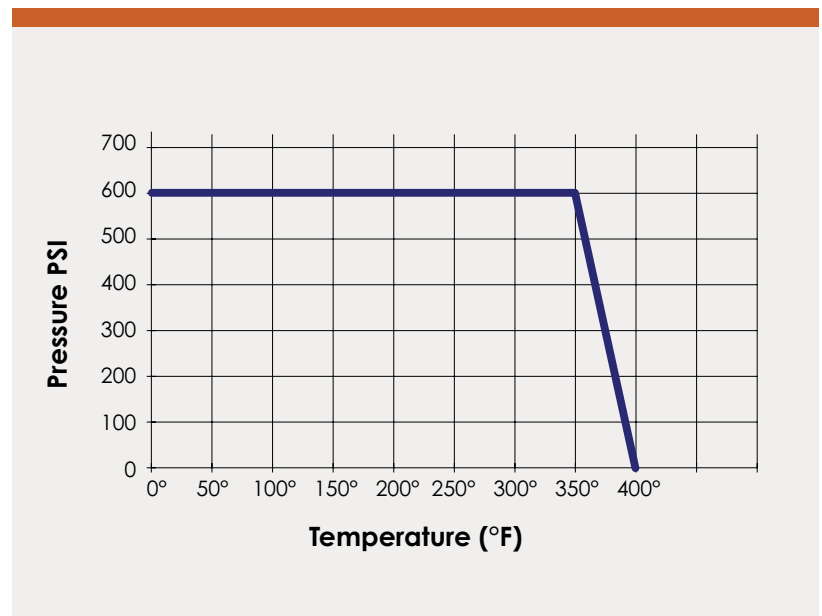
WYE



### Applicable Standards

- Design: ASME B16.34
- Testing: API 598
- 600 PSI Working Pressure at 350°F

Size	Cv	Weight (Lbs)	Port
3/8"	2.5	0.68	0.35
1/2"	3.5	1.07	0.55
3/4"	5	1.46	0.67
1"	9	2.30	0.87
1-1/4"	16	3.64	1.06
1-1/2"	21	5.09	1.34
2"	40	8.17	1.65
2-1/2"	60	9.99	2.40
3"	75	13.92	2.99



LEARN MORE



**800.726.9800**

Follow us on [f](#) [X](#) [in](#) [@](#) [v](#) [p](#)

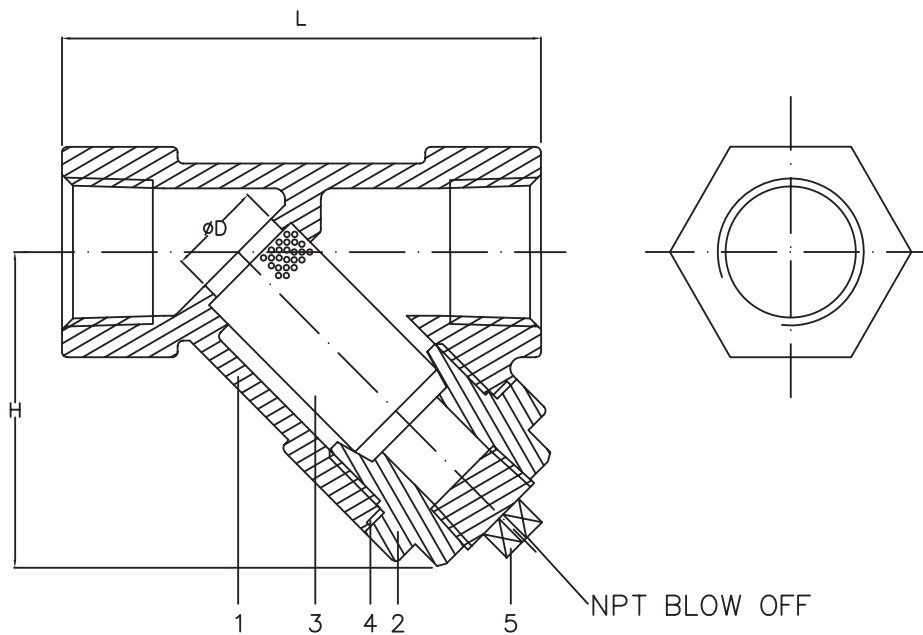
Headquarters: One Merit Drive, PO Box 43127, Cleveland, OH 44143

[www.meritbrass.com](http://www.meritbrass.com)  
[www.mbwebxpress.com](http://www.mbwebxpress.com)  
[contactus@meritbrass.com](mailto:contactus@meritbrass.com)

# STAINLESS STEEL VALVES

## Class 600 Stainless Steel Y-Strainer – “V” Series

WYE



Unit: Inch

NO.	Part Name	Qty	Material		
1	Body	1	ASTM	A351	CF8M
2	Bonnet	2	ASTM	A351	CF8M
3	Screen	1	SUS316 20 Mesh Screen Standard		
			SUS316 40 Available Upon Request		
4	Gasket	1	PTFE		
5	Plug	1	ASTM	A351	CF8M

Size	D Port	L	H	Plug Size
3/8"	0.35	2.64	1.59	1/4"
1/2"	0.55	2.99	1.99	3/8"
3/4"	0.67	3.43	2.21	3/8"
1"	0.87	4.06	2.73	1/2"
1-1/4"	1.06	4.72	3.13	1/2"
1-1/2"	1.34	5.31	3.65	3/4"
2"	1.65	6.30	4.24	3/4"
2-1/2"	2.40	7.87	5.28	1-1/4"
3"	2.99	8.86	5.72	1-1/4"