

Male Adapter

P x MPT



Job Name

Job Location

P.O.#

Engineer

Contractor

Wholesaler

Merit Associate

StainlessPress® Male Adapter P x MPT is available in sizes ½" – 2" with an EPDM, HNBR or FKM sealing element.

- **FIRST TO MARKET Visual Indicator Press Ring® (VIPR®)** - facilitates immediate identification of un-pressed connections.
- **Mates with IPS (Iron Pipe Size)** 304 & 316 Schedule 5 or 10 Stainless Steel Pipe
- **Leak Before Press (LBP)** - in addition to the VIPR®, all sizes have leak before press technology, which guarantees a visual indication if the fitting is not pressed.
- **Applications:** HVAC, plumbing, municipal, mechanical, industrial and marine applications.

StainlessPress® Operational Parameters:

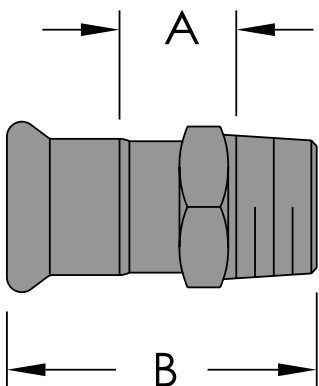
- **Operating Pressure:** from full vacuum to 300 PSI on Schedule 5 or 10 Stainless Steel Pipe.
- **Temperature Range:** EPDM: -4°F to 230°F. | HNBR: -31°F to 248°F. | FKM: -4°F to 356°F.

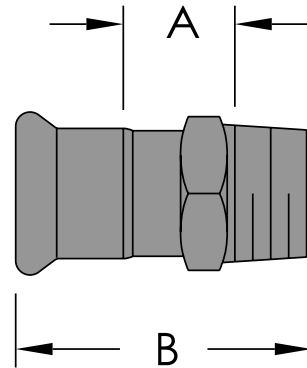
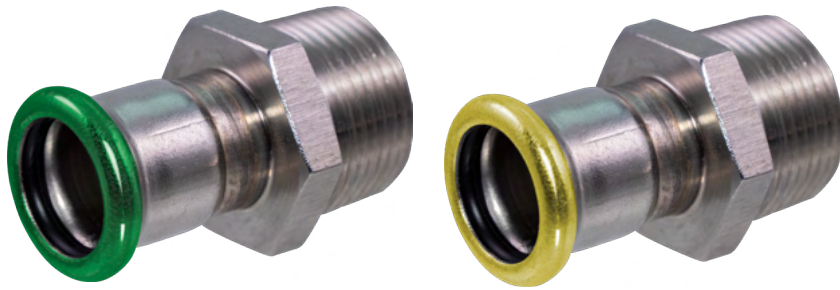
StainlessPress® Certifications

IAPMO/ANSI/CAN Z1117, NSF/ANSI/CAN 61 (EPDM only), NSF/ANSI/CAN 372 (EPDM only), FM 1920, American Bureau of Shipping Product Design Assessment (PDA) Certificate 1-5-PR1438892-PDA, Piping System and Couplings.

StainlessPress® Codes and Standards

ASME B31.1, B31.3, B31.9, IPC, IMC, IRC, UPC, UMC, CPC & CMC, City of Los Angeles Plumbing & Mechanical Codes, Massachusetts Regulation 248 CMR 10.00: Uniform State Plumbing Code: Massachusetts State Building Code 780 CMR Ninth edition: Chapter 28: NPSC, NPCC.





Male Adapter					P x MPT		
Item Number			Nominal Size (in)	O.D.	Dimensions (in)		Weight lbs
EPDM	HNBR	FKM			A	B	
MBF181/21/26GE	MBF181/21/26GEH	MBF181/21/26GEF	1/2"	0.840 x 0.840	0.78	2.21	0.15
MBF181/23/46GE	MBF181/23/46GEH	MBF181/23/46GEF	1/2" x 3/4"	0.840 x 1.050	0.80	2.30	0.20
MBF181/216GE	MBF181/216GEH	MBF181/216GEF	1/2" x 1"	0.840 x 1.315	0.87	2.44	0.34
MBF183/41/26GE	MBF183/41/26GEH	MBF183/41/26GEF	3/4" x 1/2"	1.050 x 0.840	0.81	2.35	0.22
MBF183/43/46GE	MBF183/43/46GEH	MBF183/43/46GEF	3/4" x 3/4"	1.050 x 1.050	0.81	2.43	0.22
MBF183/416GE	MBF183/416GEH	MBF183/416GEF	3/4" x 1"	1.050 x 1.315	0.87	2.56	0.29
MBF183/411/46GE	MBF183/411/46GEH	MBF183/411/46GEF	3/4" x 1 1/4"	1.050 x 1.660	0.91	2.66	0.52
MBF1813/46GE	MBF1813/46GEH	MBF1813/46GEF	1" x 3/4"	1.315 x 1.050	0.83	2.52	0.28
MBF18116GE	MBF18116GEH	MBF18116GEF	1"	1.315 x 1.315	0.83	2.64	0.32
MBF18111/46GE	MBF18111/46GEH	MBF18111/46GEF	1" x 1 1/4"	1.315 x 1.660	0.91	2.74	0.52
MBF18111/26GE	MBF18111/26GEH	MBF18111/26GEF	1" x 1 1/2"	1.315 x 1.900	0.90	2.74	0.58
MBF1811/416GE	MBF1811/416GEH	MBF1811/416GEF	1 1/4" x 1"	1.660 x 1.315	0.91	2.97	0.47
MBF1811/411/46GE	MBF1811/411/46GEH	MBF1811/411/46GEF	1 1/4"	1.660 x 1.660	0.91	2.97	0.57
MBF1811/411/26GE	MBF1811/411/26GEH	MBF1811/411/26GEF	1 1/4" x 1 1/2"	1.660 x 1.900	0.91	2.95	0.62
MBF1811/23/46GE	MBF1811/23/46GEH	MBF1811/23/46GEF	1 1/2" x 3/4"	1.900 x 1.050	0.91	2.78	0.55
MBF1811/216GE	MBF1811/216GEH	MBF1811/216GEF	1 1/2" x 1"	1.900 x 1.315	0.91	2.90	0.62
MBF1811/211/46GE	MBF1811/211/46GEH	MBF1811/211/46GEF	1 1/2" x 1 1/4"	1.900 x 1.660	0.90	2.92	0.55
MBF1811/211/26GE	MBF1811/211/26GEH	MBF1811/211/26GEF	1 1/2"	1.900 x 1.900	0.90	2.92	0.64
MBF18211/26GE	MBF18211/26GEH	MBF18211/26GEF	2" x 1 1/2"	2.375 x 1.900	0.90	3.48	0.94
MBF18226GE	MBF18226GEH	MBF18226GEF	2"	2.375 x 2.375	0.98	3.82	1.04