

Reducing Tee

P x P x P



Job Name

Job Location

P.O.#

Engineer

Contractor

Wholesaler

Merit Associate

StainlessPress® Reducing Tee P x P x P is available in sizes 3/4" x 1/2" – 2" x 1 1/2" with an EPDM, HNBR or FKM sealing element.

- **FIRST TO MARKET Visual Indicator Press Ring® (VIPR®)** - facilitates immediate identification of un-pressed connections.
- **Mates with IPS (Iron Pipe Size)** 304 & 316 Schedule 5 or 10 Stainless Steel Pipe
- **Leak Before Press (LBP)** - in addition to the VIPR®, all sizes have leak before press technology, which guarantees a visual indication if the fitting is not pressed.
- **Applications:** HVAC, plumbing, municipal, mechanical, industrial and marine applications.

StainlessPress® Operational Parameters:

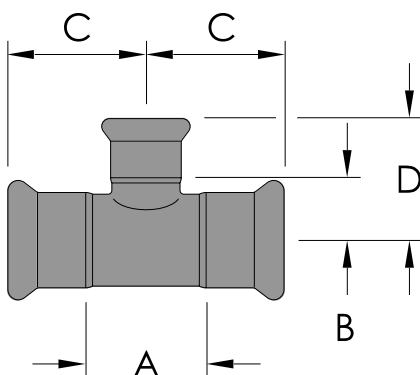
- **Operating Pressure:** from full vacuum to 300 PSI on Schedule 5 or 10 Stainless Steel Pipe.
- **Temperature Range:** EPDM: -4°F to 230°F. | HNBR: -31°F to 248°F. | FKM: -4°F to 356°F.

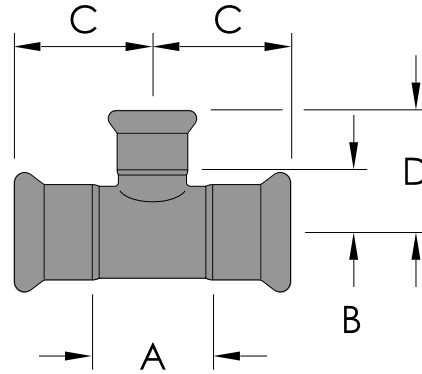
StainlessPress® Certifications

IAPMO/ANSI/CAN Z1117, NSF/ANSI/CAN 61 (EPDM only), NSF/ANSI/CAN 372 (EPDM only), FM 1920, American Bureau of Shipping Product Design Assessment (PDA) Certificate 1-5-PR1438892-PDA, Piping System and Couplings.

StainlessPress® Codes and Standards

ASME B31.1, B31.3, B31.9, IPC, IMC, IRC, UPC, UMC, CPC & CMC, City of Los Angeles Plumbing & Mechanical Codes, Massachusetts Regulation 248 CMR 10.00: Uniform State Plumbing Code: Massachusetts State Building Code 780 CMR Ninth edition: Chapter 28: NPSC, NPCC.





Reducing Tee			P x P x P						
Item Number			Nominal Size (in)	O.D.	Dimensions (in)				Weight lbs
EPDM	HNBR	FKM			A	B	C	D	
MBF153/41/23/46GE	MBF153/41/23/46GEH	MBF153/41/23/46GEF	¾" x ½"	1.050 x 1.050 x 0.840	1.50	0.91	1.70	1.74	0.31
MBF1511/216GE	MBF1511/216GEH	MBF1511/216GEF	1" x ½"	1.315 x 1.315 x 0.840	1.78	1.06	1.91	1.89	0.40
MBF1513/416GE	MBF1513/416GEH	MBF1513/416GEF	1" x ¾"	1.315 x 1.315 x 1.050	1.78	1.07	1.91	2.02	0.42
MBF1511/41/211/46GE	MBF1511/41/211/46GEH	MBF1511/41/211/46GEF	1¼" x ½"	1.660 x 1.660 x 0.840	2.13	1.19	2.25	2.02	0.51
MBF1511/43/411/46GE	MBF1511/43/411/46GEH	MBF1511/43/411/46GEF	1¼" x ¾"	1.660 x 1.660 x 1.050	2.13	1.20	2.25	2.15	0.53
MBF1511/4111/46GE	MBF1511/4111/46GEH	MBF1511/4111/46GEF	1¼" x 1"	1.660 x 1.660 x 1.315	2.12	1.20	2.24	2.22	0.56
MBF1511/21/211/26GE	MBF1511/21/211/26GEH	MBF1511/21/211/26GEF	1½" x ½"	1.900 x 1.900 x 0.840	3.19	1.39	2.80	2.23	0.79
MBF1511/21/211/26GE	MBF1511/21/211/26GEH	MBF1511/23/411/26GEF	1½" x ¾"	1.900 x 1.900 x 1.050	2.40	1.37	2.80	2.34	0.81
MBF1511/2111/26GE	MBF1511/2111/26GEH	MBF1511/2111/26GEF	1½" x 1"	1.900 x 1.900 x 1.315	3.19	1.42	2.80	2.45	0.84
MBF1511/211/411/26GE	MBF1511/211/411/26GEH	MBF1511/211/411/26GEF	1½" x 1¼"	1.900 x 1.900 x 1.660	3.19	1.50	2.80	2.68	0.88
MBF1521/226GE	MBF1521/226GEH	MBF1521/226GEF	2" x ½"	2.375 x 2.375 x 0.840	3.22	1.60	3.39	2.44	1.17
MBF1523/426GE	MBF1523/426GEH	MBF1523/426GEF	2" x ¾"	2.375 x 2.375 x 1.050	3.22	1.68	3.39	2.63	1.19
MBF152126GE	MBF152126GEH	MBF152126GEF	2" x 1"	2.375 x 2.375 x 1.315	3.22	1.61	3.39	2.66	1.23
MBF15211/426GE	MBF15211/426GEH	MBF15211/426GEF	2" x 1¼"	2.375 x 2.375 x 1.660	3.22	1.73	3.38	2.91	1.27
MBF15211/226GE	MBF15211/226GEH	MBF15211/226GEF	2" x 1½"	2.375 x 2.375 x 1.900	3.22	1.65	3.39	2.86	1.32